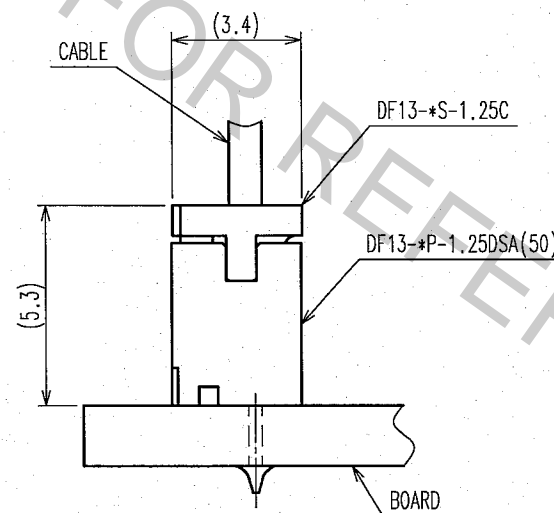


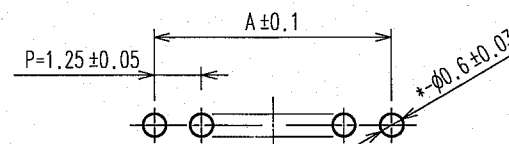
| COUNT | DESCRIPTION OF REVISIONS | BY | CHKD | DATE | COUNT | DESCRIPTION OF REVISIONS | BY | CHKD | DATE |
|-------|--------------------------|----|------|------|-------|--------------------------|----|------|------|
| △ | | | | | △ | | | | |
| △ | | | | | △ | | | | |
| △ | | | | | △ | | | | |

| PART No. | CODE No. | NUMBER OF CONTACTS | A | B | C |
|----------------------|-----------------|--------------------|-------|-------|-------|
| DF13- 2P-1.25DSA(50) | CL536-0101-9-50 | 2 | 1.25 | 3.15 | 4.15 |
| DF13- 3P-1.25DSA(50) | CL536-0102-1-50 | 3 | 2.5 | 4.4 | 5.4 |
| DF13- 4P-1.25DSA(50) | CL536-0103-4-50 | 4 | 3.75 | 5.65 | 6.65 |
| DF13- 5P-1.25DSA(50) | CL536-0104-7-50 | 5 | 5 | 6.9 | 7.9 |
| DF13- 6P-1.25DSA(50) | CL536-0105-0-50 | 6 | 6.25 | 8.15 | 9.15 |
| DF13- 7P-1.25DSA(50) | CL536-0106-2-50 | 7 | 7.5 | 9.4 | 10.4 |
| DF13- 8P-1.25DSA(50) | CL536-0107-5-50 | 8 | 8.75 | 10.65 | 11.65 |
| DF13- 9P-1.25DSA(50) | CL536-0108-8-50 | 9 | 10 | 11.9 | 12.9 |
| DF13-10P-1.25DSA(50) | CL536-0109-0-50 | 10 | 11.25 | 13.15 | 14.15 |
| DF13-11P-1.25DSA(50) | CL536-0110-0-50 | 11 | 12.5 | 14.4 | 15.4 |
| DF13-12P-1.25DSA(50) | CL536-0111-2-50 | 12 | 13.75 | 15.65 | 16.65 |
| DF13-13P-1.25DSA(50) | CL536-0112-5-50 | 13 | 15 | 16.9 | 17.9 |
| DF13-14P-1.25DSA(50) | CL536-0113-8-50 | 14 | 16.25 | 18.15 | 19.15 |
| DF13-15P-1.25DSA(50) | CL536-0114-0-50 | 15 | 17.5 | 19.4 | 20.4 |

2 APPLICATION FIGURE



3 RECOMMENDED PATTERN



| 2 | BRASS | SURFACE: GOLD PLATED 0.2μm min UNDER PLATING: NICKEL PLATED 0.5μm min | 4 | STYRENIC-BASED ELASTOMERS | STOPPER, GREEN |
|-----|-----------|--|-----|---------------------------|---------------------------------|
| 1 | POLYAMIDE | BEIGE (NATURAL), UL94V-0 | 3 | PS | ELECTROSTATIC PROTECTION, CLEAR |
| NO. | MATERIAL | FINISH, REMARKS | NO. | MATERIAL | FINISH, REMARKS |

| CODE NO. (OLD) | DRAWN | DESIGNED | CHECKED | APPROVED | RELEASED |
|----------------|----------------------|-------------------------|------------------------|---------------------|----------|
| | A.Miura '07.02.22 | T.KUMAGAWA '07.02.23 | H.UMEHARA '07.02.23 | J. Ono '07.02.23 | |

| | | |
|----------------|---------------------------------|---------------------------------|
| SCALE 5 : 1 | DRAWING NO. EDC3-083673-02 | PART NO. DF13-*P-1.25DSA(50) |
| UNITS mm | HRS HIROSE ELECTRIC CO., LTD | CODE NO. CL536- |

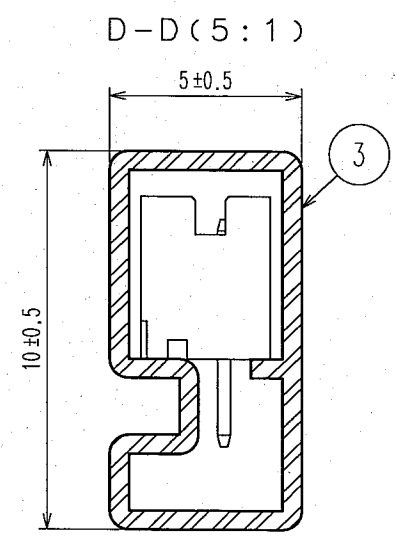
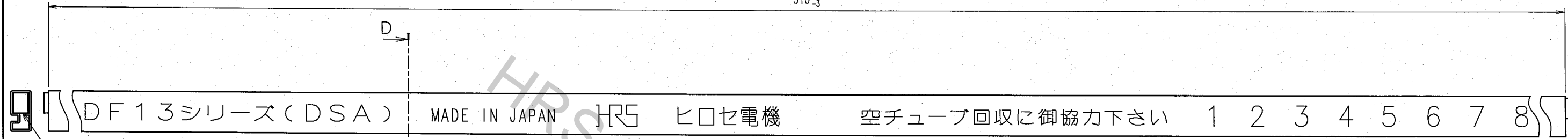
1 WHEN THIS CONNECTOR HAS TWO OR THREE CONTACTS, THE LOCK OF CONNECTOR SHALL BE SET AT THE CENTER OF HOUSING. IN CASE THAT THE NUMBER OF CONTACTS IS MORE THAN FOUR, THE TWO LOCKS SHALL BE SET IN ACCORDANCE WITH THE DRAWINGS.

2 WHEN THIS CONNECTOR MATES WITH DF13-*S-1.25C, THE MATING LENGTH IS 5.3mm.

3 RECOMMENDED DIP POST DIA. : φ 0.6±0.03

| |
|----|
| TO |
| |
| |
| |

| 5 | | | 6 | | | 7 | | | 8 | | | | | |
|-------|--------------------------|----|------|------|-------|--------------------------|----|------|------|-------|--------------------------|----|------|------|
| COUNT | DESCRIPTION OF REVISIONS | BY | CHKD | DATE | COUNT | DESCRIPTION OF REVISIONS | BY | CHKD | DATE | COUNT | DESCRIPTION OF REVISIONS | BY | CHKD | DATE |
| △ | | | | .. | △ | | | | .. | | | | | .. |
| △ | | | | .. | △ | | | | .. | | | | | .. |
| △ | | | | .. | △ | | | | .. | | | | | .. |



| PART No. | CODE No. | NUMBER OF CONTACTS | QUANTITY OF CONNECTORS |
|----------------------|-----------------|--------------------|------------------------|
| DF13- 2P-1.25DSA(50) | CL536-0101-9-50 | 2 | 115 |
| DF13- 3P-1.25DSA(50) | CL536-0102-1-50 | 3 | 89 |
| DF13- 4P-1.25DSA(50) | CL536-0103-4-50 | 4 | 72 |
| DF13- 5P-1.25DSA(50) | CL536-0104-7-50 | 5 | 61 |
| DF13- 6P-1.25DSA(50) | CL536-0105-0-50 | 6 | 52 |
| DF13- 7P-1.25DSA(50) | CL536-0106-2-50 | 7 | 46 |
| DF13- 8P-1.25DSA(50) | CL536-0107-5-50 | 8 | 41 |
| DF13- 9P-1.25DSA(50) | CL536-0108-8-50 | 9 | 37 |
| DF13-10P-1.25DSA(50) | CL536-0109-0-50 | 10 | 34 |
| DF13-11P-1.25DSA(50) | CL536-0110-0-50 | 11 | 31 |
| DF13-12P-1.25DSA(50) | CL536-0111-2-50 | 12 | 29 |
| DF13-13P-1.25DSA(50) | CL536-0112-5-50 | 13 | 27 |
| DF13-14P-1.25DSA(50) | CL536-0113-8-50 | 14 | 25 |
| DF13-15P-1.25DSA(50) | CL536-0114-0-50 | 15 | 23 |

NOTE4. MINIMUM UNIT OF PURCHASE SHALL BE THE QUANTITY OF CONNECTORS IN TUBE.

| NO. | MATERIAL | FINISH, REMARKS | NO. | MATERIAL | FINISH, REMARKS |
|----------------|----------|-----------------|------------------------------|------------|-----------------|
| CODE NO. (OLD) | | | DRAWN | DESIGNED | CHECKED |
| | | | A.Miura | T.Kumazawa | H.Umehara |
| | | | '07.02.22 | '07.02.23 | '07.02.23 |
| DRAWING NO. | | | PART NO. | | |
| EDC3-083673-02 | | | DF13-*P-1.25DSA(50) | | |
| SCALE | | | CODE NO. | | |
| FREE | | | CL536- | | |
| UNITS | | | 2 | | |
| mm | | | HRS HIROSE ELECTRIC CO., LTD | | |

| |
|----|
| TO |
| |
| |
| |