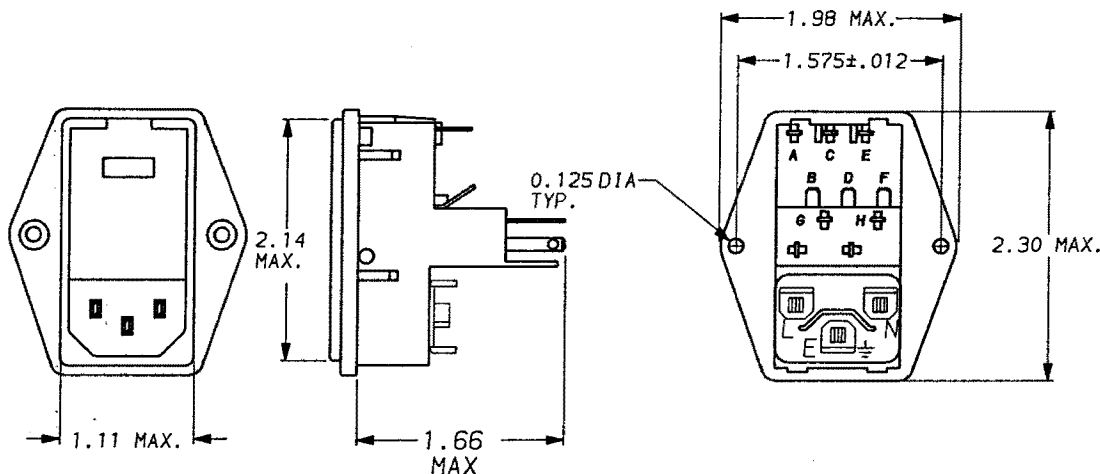


| | | |
|---------------|-------------------|---------|
| DESCRIPTION | APPROVED BY/DATE | REV |
| ECO-09-026495 | C. Wealby 9-23-91 | 0 |
| | AEG | 10DEC09 |
| | | A1 |



SAFETY ORGANIZATION(S):

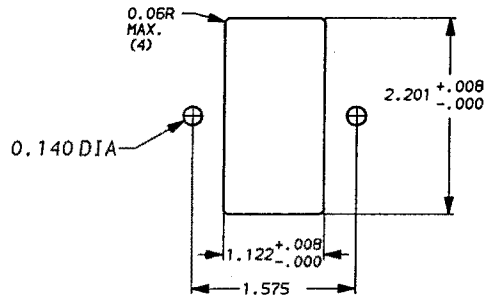
THIS MODULE HAS BEEN FORMALLY RECOGNIZED, CERTIFIED OR APPROVED BY THE LISTED AGENCY. THEREFORE, ALL TEST/REQUIREMENTS SPECIFIED IN THE LATEST REVISION OF THE FOLLOWING AGENCY STANDARDS HAVE BEEN MET:

UL, CSA, VDE, SEV, SEMKO, DEMKO, NEMKO, FINLAND, NETHERLANDS, & ITALY

SPECIFICATIONS:

FUSE (5 X 20 MM OR 6,3 X 32 MM): MAX 6,3 AMP
 VOLTAGE SELECT: (MODULE ACCEPTS EITHER ONE OR TWO FUSES) (FOUR VOLTAGE VOLTAGE SELECT DRUM SUPPLIED)
 STANDARD RATING: 10 A 250 VAC
 UL 498/CSA 22.2 RATING: 6 A 250 VAC
 MAX PIN TEMPERATURE: 65°C
 TESTING VOLTAGE TO ACCESSIBLE SURFACES: 4000 VAC
 SUITABLE FOR APPLIANCE CLASS: I
 INSULATION RESISTANCE: >10 MΩ

RECOMMENDED PANEL CUTOUT
(NOT TO SCALE)



| | | | | |
|-------|------|------|------|------|
| | 100V | 120V | 220V | 240V |
| F - E | | | | |
| D - E | | | | |
| D - C | | | | |
| B - C | | | | |
| B - A | | | | |

6609121-5
 OBSOLETE 4609421-5

NOTE: ALL BACKPLATE TERMINALS ARE .110 FASTONS.

OBSOLETE PARTS: OBSOLETE CIS STREAMLINING PER D.RENAUD/D.SINISI

This document is proprietary to CORCOM INC. and is not to be reproduced nor used for manufacturing purposes except on CORCOM's order or prior written consent.

| | |
|---|---|
| TOLERANCE EXCEPT AS NOTED DECIMAL: .XXX .XX .X ANGLES ENGLISH: METRIC: ± — | corcom LIBERTYVILLE, IL 60048 |
| MATERIAL: AS SUPPLIED | POWER ENTRY MODULE |
| FINISH: AS SUPPLIED | SCALE NTS DATE 9-19-91 DRG. NO. 6EL4. REV. A1 DRW. BY CFW ORIGINATOR CFW |