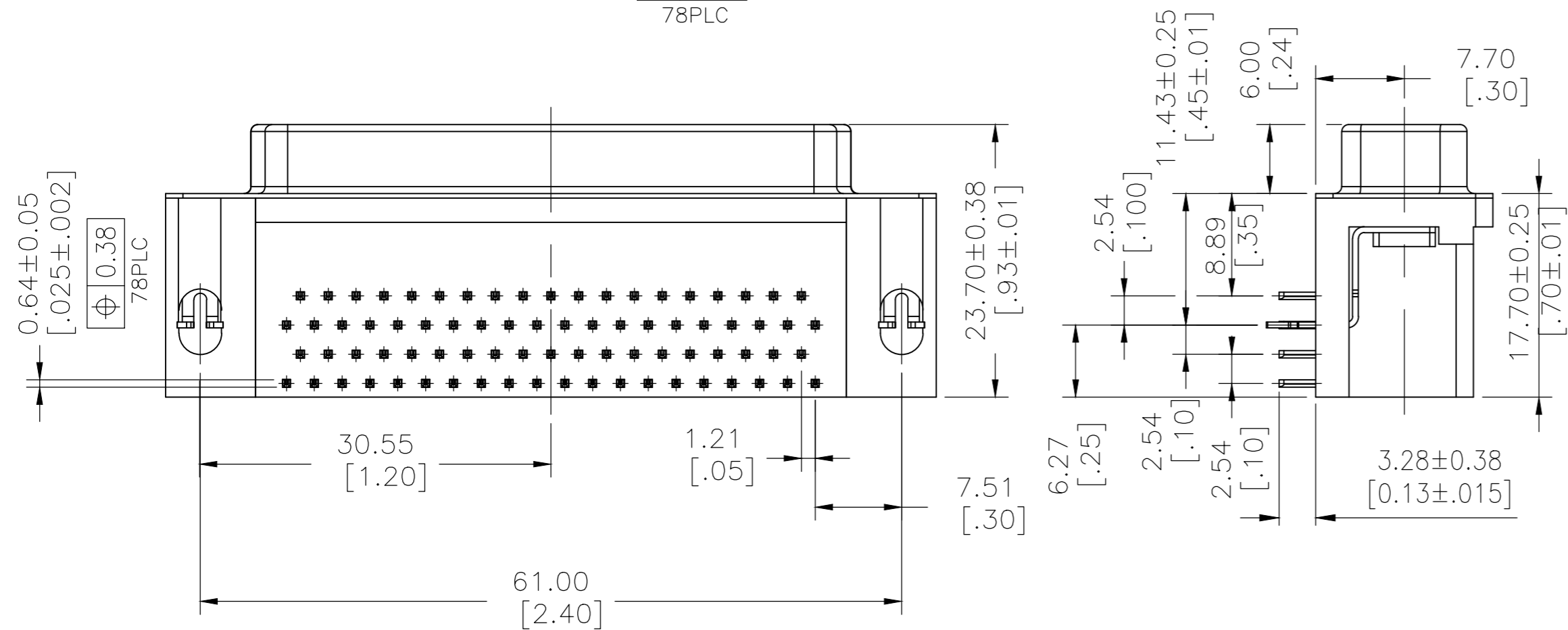
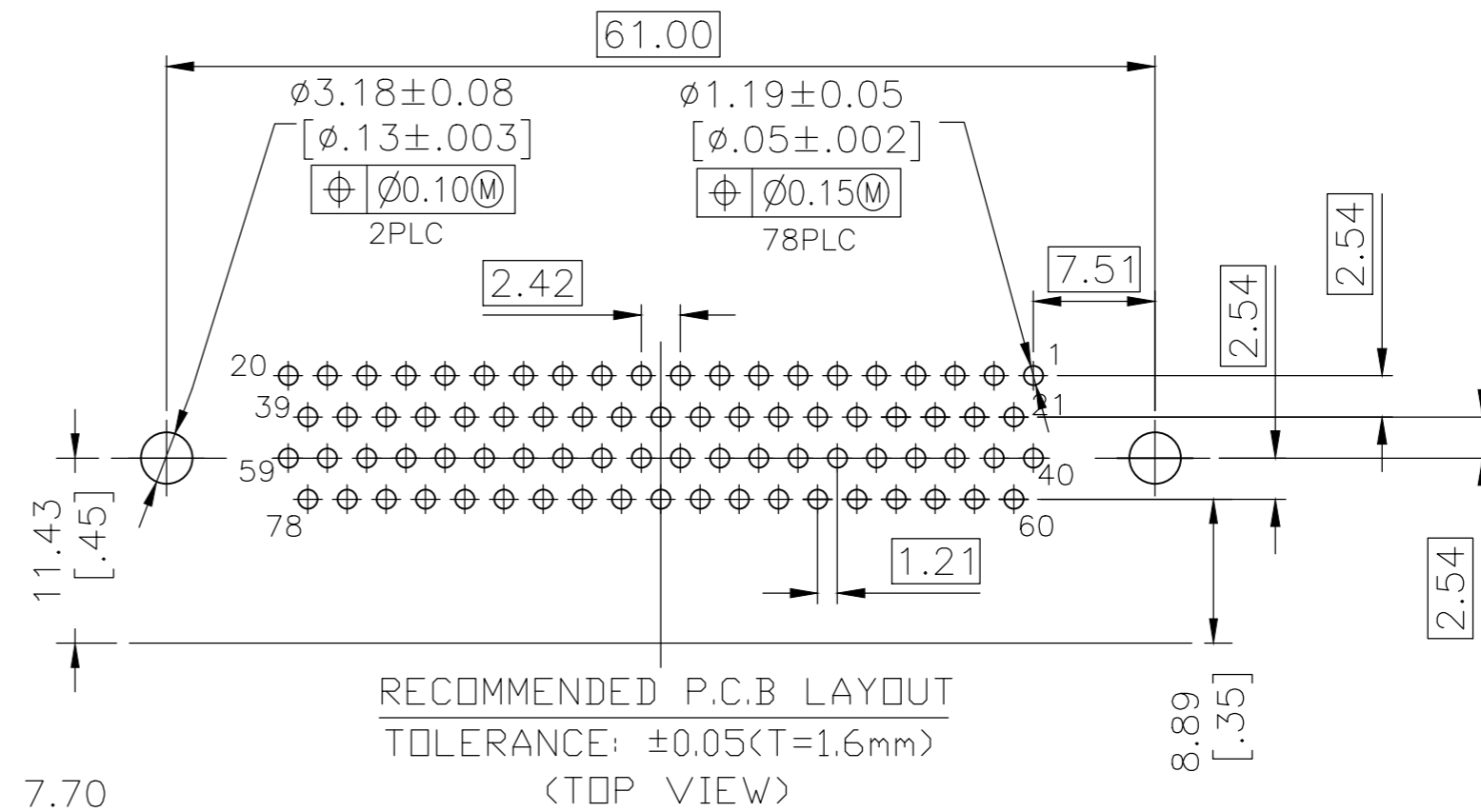
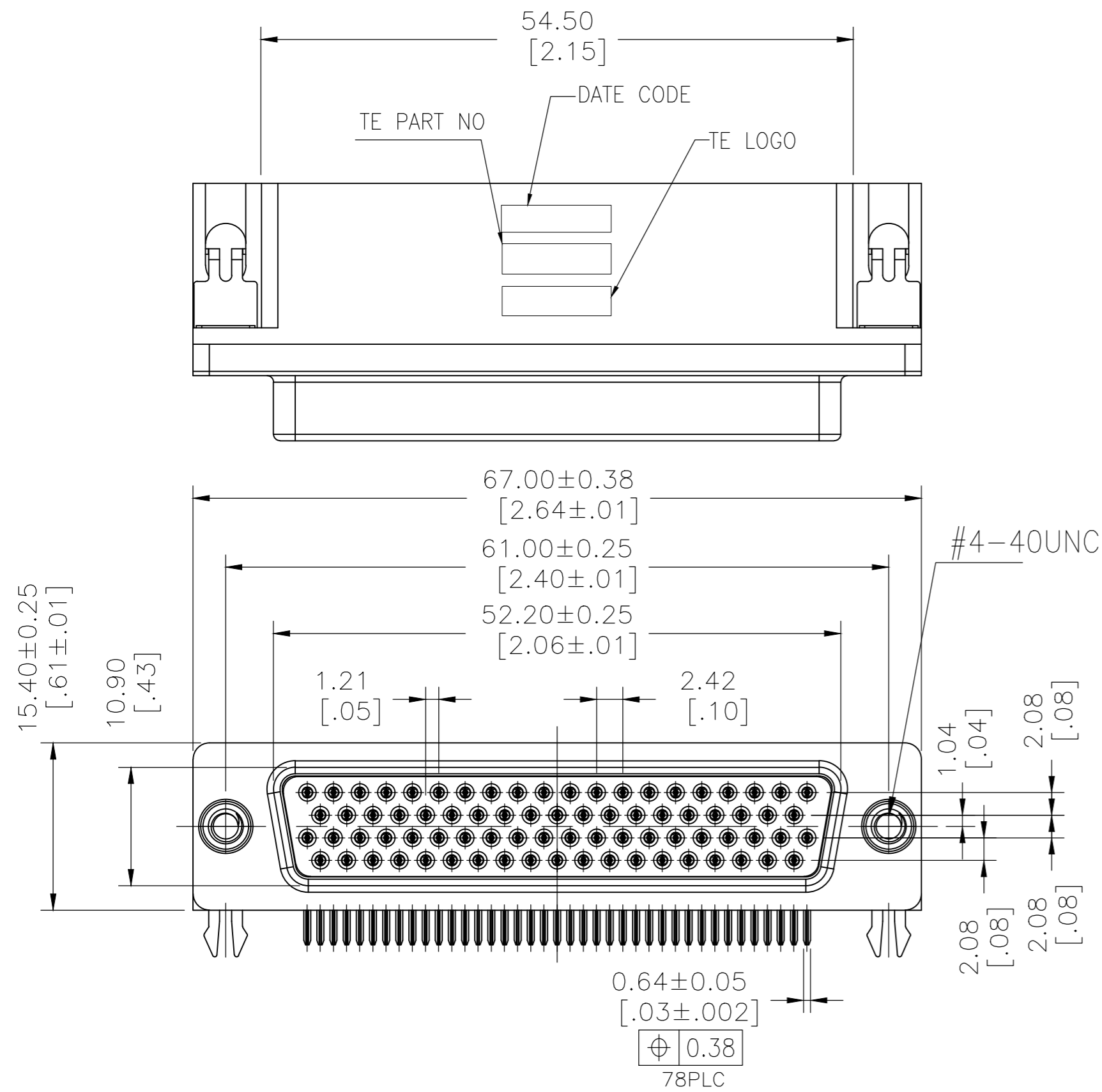


THIS DRAWING IS UNPUBLISHED. RELEASED FOR PUBLICATION
 © COPYRIGHT - By - ALL RIGHTS RESERVED.

REVISIONS				
P	LTR	DESCRIPTION	DATE	APVD
E		REVISED PER ECO-18-011825	26JUL2018	AP DG

NOTES:

- MATERIAL:
 HOUSING: PBT WITH 30% GF, UL 94V-0, COLOR: BLACK.
 CONTACTS: PHOSPHOR BRONZE.
 BOARDLOCKS: BRASS.
 SHELL: STEEL.
 RIVET: COPPER ALLOY (C3602).
- FINISH:
 CONTACTS: 0.762um[30u"] MIN. GOLD PLATED ON CONTACT AREA,
 3.04um[120u"] MIN. MATTE-TIN PLATED ON SOLDER TAIL,
 1.27um[50u"] MIN. NICKEL UNDERPLATED OVER ALL.
 BOARDLOCKS: 2.54um[100u"] MIN. BRIGHT-TIN PLATED,
 1.27um[50u"] MIN. NICKEL UNDERPLATED OVER ALL.
 SHELL: 2.54um[100u"] MIN. NICKEL PLATED.
 RIVET: 1.27um[50u"] MIN. NICKEL PLATED.
- RECOMMENDED PCB THICKNESS: 1.6mm.
- FOUR DIGIT DATE CODE IN THIS FORMAT:
 YEAR YY WW MANUFACTURING WEEK



THREADED TYPE	30μ" Au Contact Area Plating	2311772-1 P/N
---------------	------------------------------	---------------

THIS DRAWING IS A CONTROLLED DOCUMENT.		DWN AJITH PAI 10MAR2017	TE Connectivity Ltd.	
DIMENSIONS: mm[INCHES]		CHK DANIEL GORENC 10MAR2017	NAME AMPLIMITE RECEPTACLE, HD22, RIGHT ANGLE, 78P	
TOLERANCES UNLESS OTHERWISE SPECIFIED:		APVD DANIEL GORENC 10MAR2017	PRODUCT SPEC 108-130024	
0 PLC ± -	1 PLC ± -	APPLICATION SPEC	SIZE A2	CAGE CODE 00779
2 PLC ± 0.25	3 PLC ± -	WEIGHT	DRAWING NO C=2311772	RESTRICTED TO
4 PLC ± -	ANGLES ± -	CUSTOMER DRAWING	SCALE 1:1	SHEET 1 of 1
MATERIAL	FINISH	REV E		