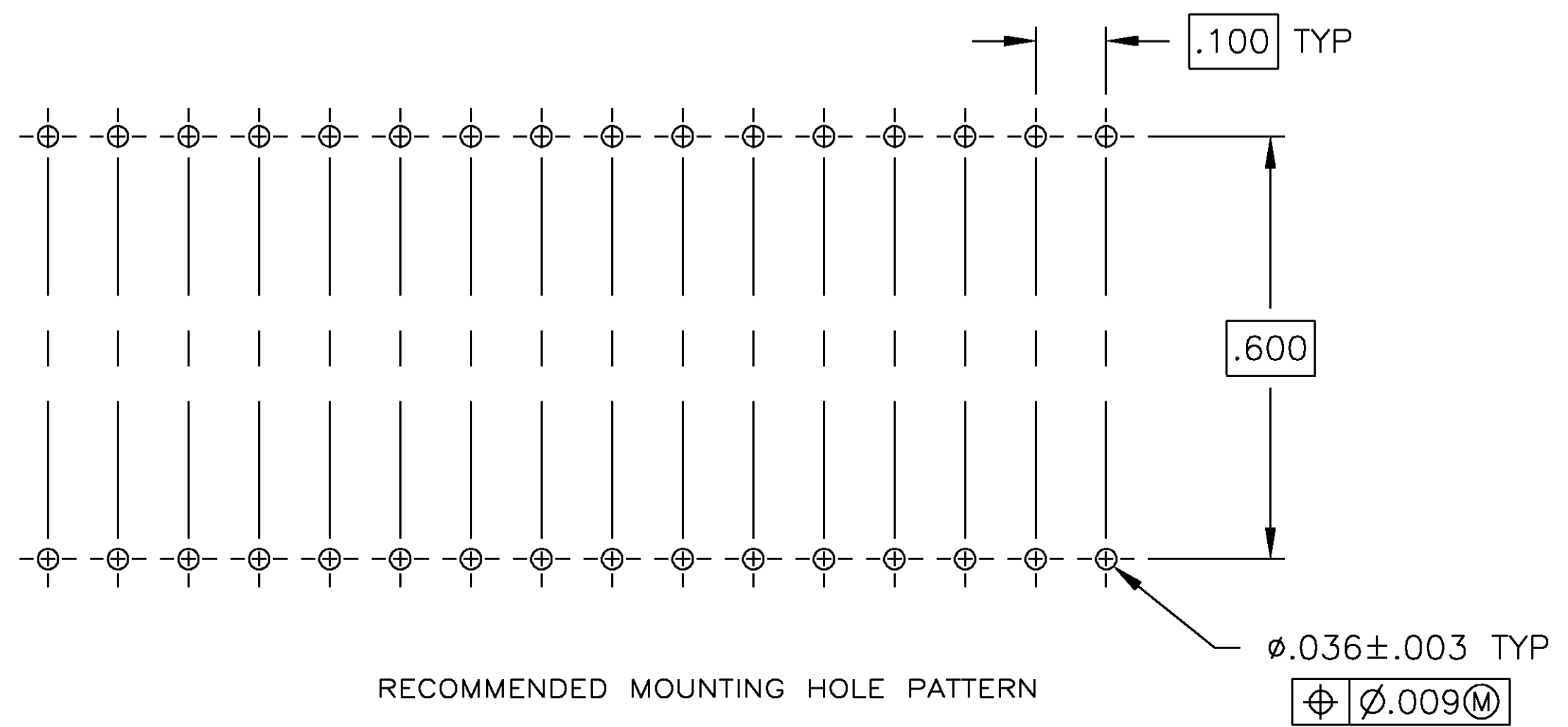
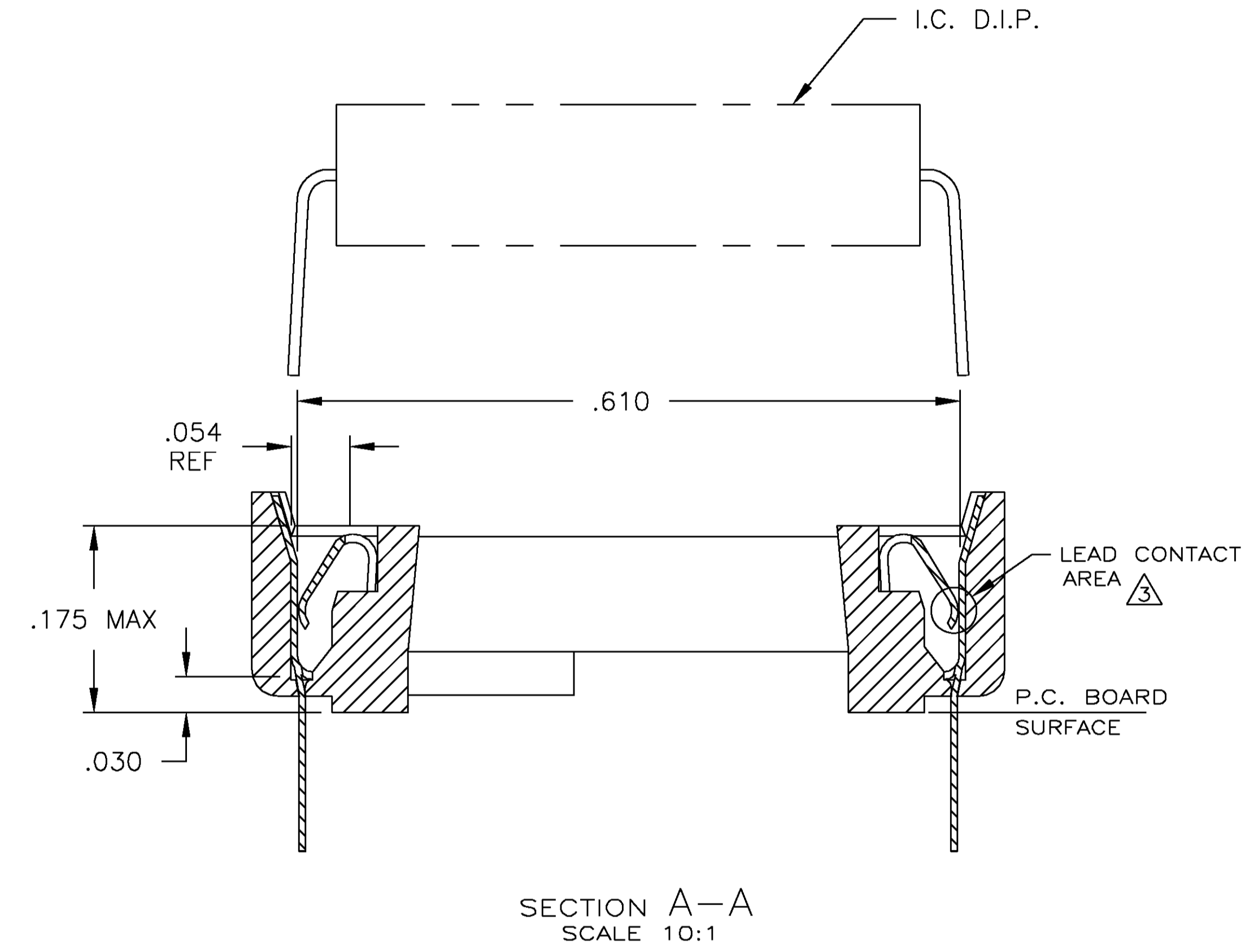
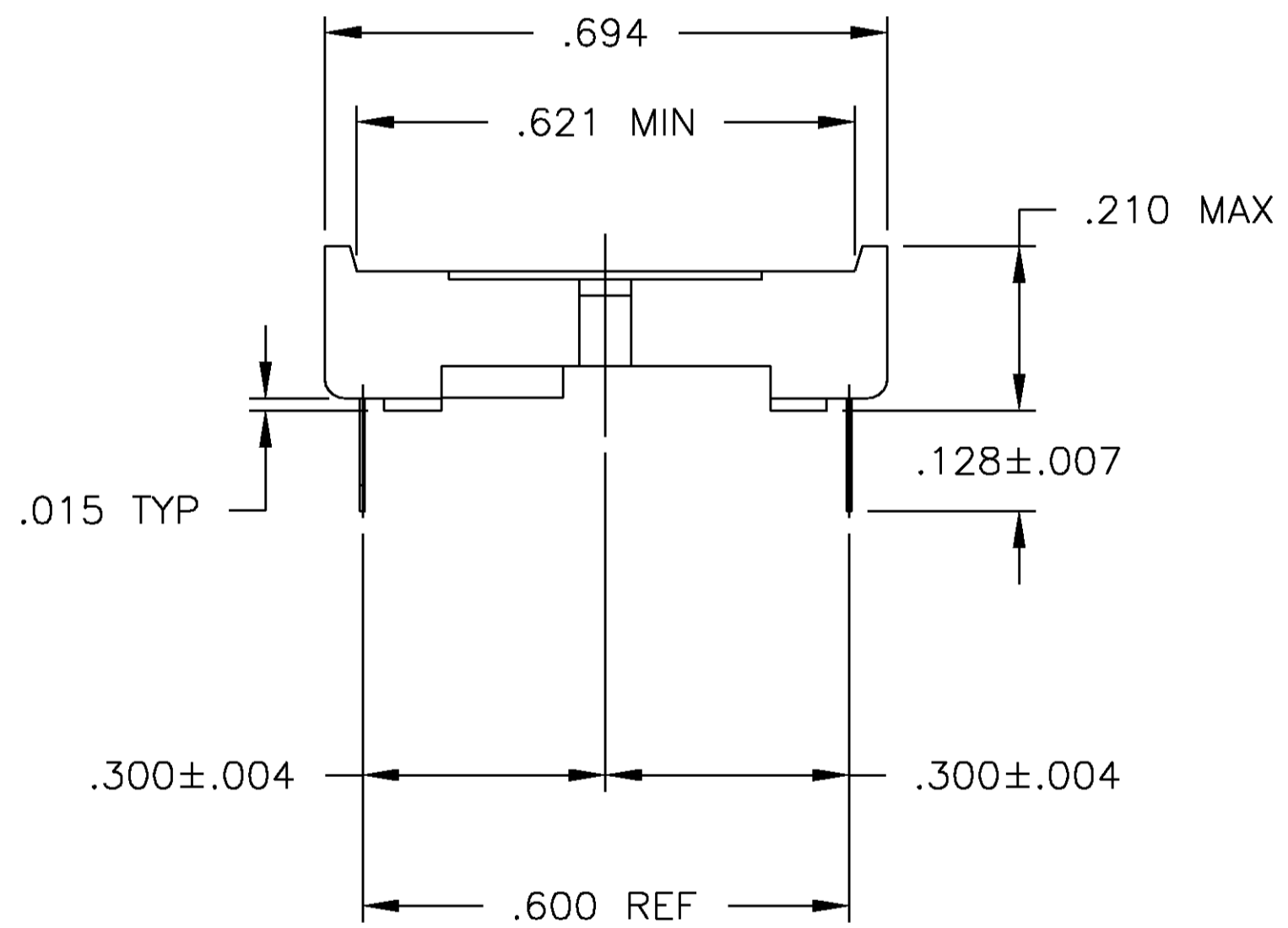
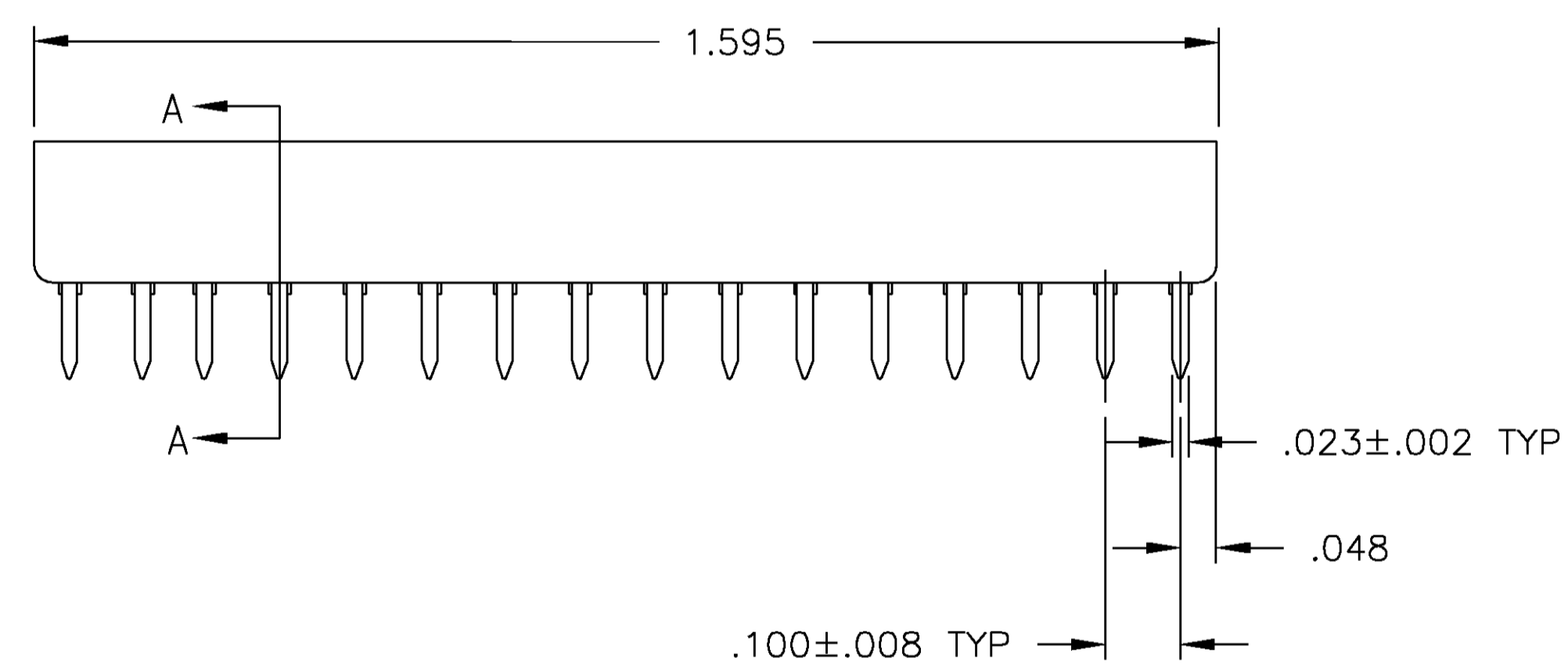
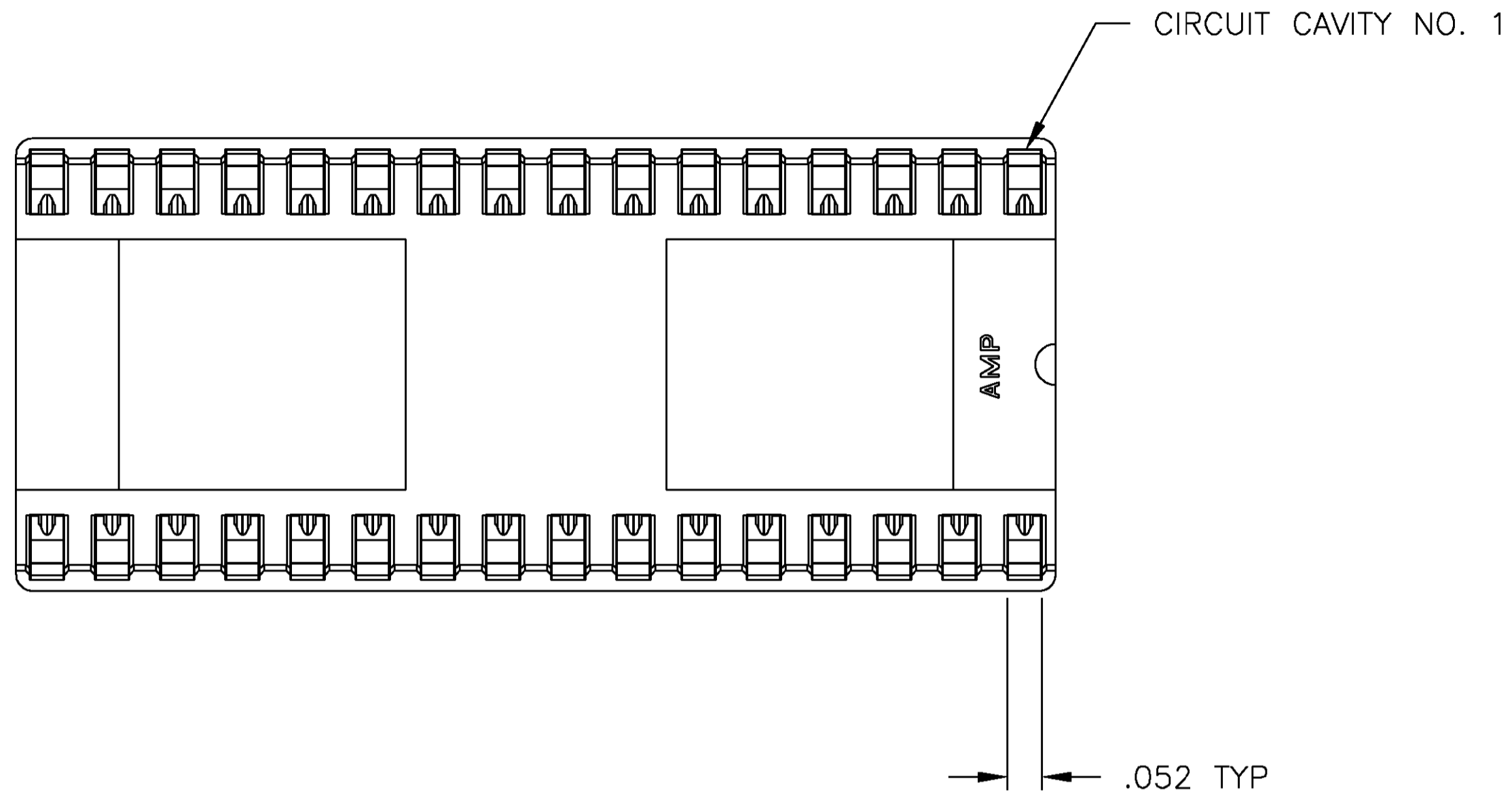


- RECEPTACLE ACCEPTS A .008-.014 THICK I.C. LEAD.
- TUBE LOADED.
- TWO .000015 MIN THK. GOLD STRIPES IN CONTACT AREA WITH TIN-LEAD (93/7) ON SOLDER LEGS, BALANCE OF CONTACT NICKEL PLATED.



OBSOLETE		PHOS. BRZ	BROWN GLASS-FILLED PCT	2-382470-4																														
	TINNED	PHOS. BRZ	BROWN GLASS-FILLED PCT	2-382470-3																														
	TINNED	BE.CU.	BROWN GLASS-FILLED PCT	2-382470-1																														
	CONTACT FINISH	CONTACT MAT'L	HOUSING MATERIAL	PART NO.																														
<table border="1"> <tr> <td colspan="2">THIS DRAWING IS A CONTROLLED DOCUMENT.</td> <td colspan="2"> DRW: R BROWN CHK: H WYNKOOP APVD: H WYNKOOP PRODUCT SPEC: 108-1066 APPLICATION SPEC: 114-1052 </td> <td> Tyco Electronics Corporation Harrisburg, PA 17105 AMP SOCKET ASSY, DIP, HT, 32 POS, DIPLOMATE™ DL </td> </tr> <tr> <td>DIMENSIONS: INCHES</td> <td>TOLERANCES UNLESS OTHERWISE SPECIFIED:</td> <td>SIZE</td> <td>CAGE CODE</td> <td>DRAWING NO</td> </tr> <tr> <td>0 PLC ± -</td> <td>1 PLC ± -</td> <td>A1</td> <td>00779</td> <td>382470</td> </tr> <tr> <td>2 PLC ± -</td> <td>3 PLC ± .005</td> <td>SCALE</td> <td>5:1</td> <td>SHEET 1 OF 1</td> </tr> <tr> <td>4 PLC ± -</td> <td>ANGLES ± -</td> <td>WEIGHT</td> <td>-</td> <td>REV G</td> </tr> <tr> <td>MATERIAL SEE TABLE</td> <td>FINISH SEE TABLE</td> <td>CUSTOMER DRAWING</td> <td></td> <td></td> </tr> </table>					THIS DRAWING IS A CONTROLLED DOCUMENT.		DRW: R BROWN CHK: H WYNKOOP APVD: H WYNKOOP PRODUCT SPEC: 108-1066 APPLICATION SPEC: 114-1052		Tyco Electronics Corporation Harrisburg, PA 17105 AMP SOCKET ASSY, DIP, HT, 32 POS, DIPLOMATE™ DL	DIMENSIONS: INCHES	TOLERANCES UNLESS OTHERWISE SPECIFIED:	SIZE	CAGE CODE	DRAWING NO	0 PLC ± -	1 PLC ± -	A1	00779	382470	2 PLC ± -	3 PLC ± .005	SCALE	5:1	SHEET 1 OF 1	4 PLC ± -	ANGLES ± -	WEIGHT	-	REV G	MATERIAL SEE TABLE	FINISH SEE TABLE	CUSTOMER DRAWING		
THIS DRAWING IS A CONTROLLED DOCUMENT.		DRW: R BROWN CHK: H WYNKOOP APVD: H WYNKOOP PRODUCT SPEC: 108-1066 APPLICATION SPEC: 114-1052		Tyco Electronics Corporation Harrisburg, PA 17105 AMP SOCKET ASSY, DIP, HT, 32 POS, DIPLOMATE™ DL																														
DIMENSIONS: INCHES	TOLERANCES UNLESS OTHERWISE SPECIFIED:	SIZE	CAGE CODE	DRAWING NO																														
0 PLC ± -	1 PLC ± -	A1	00779	382470																														
2 PLC ± -	3 PLC ± .005	SCALE	5:1	SHEET 1 OF 1																														
4 PLC ± -	ANGLES ± -	WEIGHT	-	REV G																														
MATERIAL SEE TABLE	FINISH SEE TABLE	CUSTOMER DRAWING																																