



C2567NL

- TRANSFORMER
- 1:1.7, 1–70 MHz
- IMPEDANCE = 75 OHMS
- DESIGNED FOR G.hn APPLICATIONS
- SURFACE MOUNT

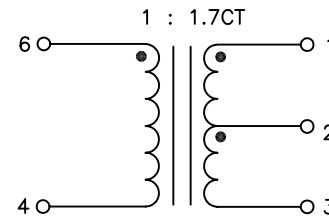
ELECTRICAL SPECIFICATIONS: @ 25°C

INSERTION LOSS:

FREQUENCY	ATTENUATION
1.0 MHz	1.0 dB MAX
10 MHz	1.0 dB MAX
30 MHz	1.0 dB MAX
60 MHz	1.0 dB MAX
70 MHz	1.0 dB MAX

NOTES: UNLESS OTHERWISE SPECIFIED

1. OPERATING TEMPERATURE: 0°C TO +70°C
2. STORAGE TEMPERATURE: -20°C TO +125°C
3. COMPLIANCE TO J-STD:
 - J-STD-002: SOLDERABILITY AT REFLOW PEAK TEMPERATURE OF 245°C
 - J-STD-020: MSL 1, NO MOISTURE SENSITIVE
 - J-STD-075: R6, 250°C MAXIMUM THROUGH REFLOW SOLDER
4. DIMENSIONS ARE IN MM [INCHES].
 - TOLERANCE:
 - .X = ±0.25 [±.010]
 - .XX = ±0.13 [±.005]
5. OPTIONAL TAPE & REEL PACKAGING CAN BE ORDERED BY ADDING A "T" SUFFIX TO THE PART NUMBER. ie: C2567NLT



SCHEMATIC

© Copyright, 2014. Pulse Electronics Corp. All rights reserved. Pulse confidential & proprietary. (04/11/2014)

PRODUCT DESCRIPTION:

XFMR, RF, SGL, 1:1.7, 1–70MHz, SMT

SHEET:

1 OF 2

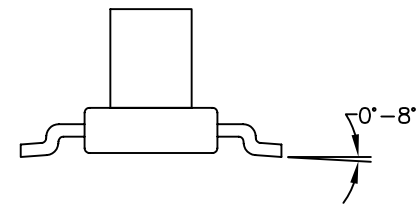
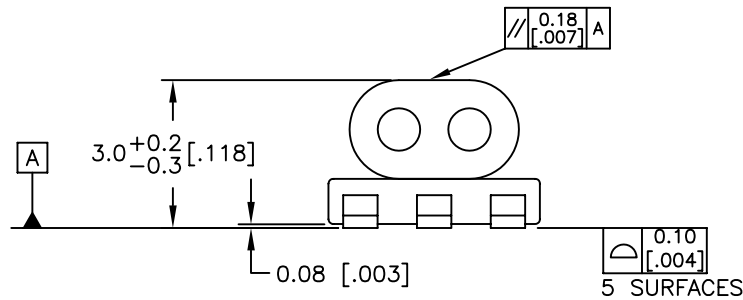
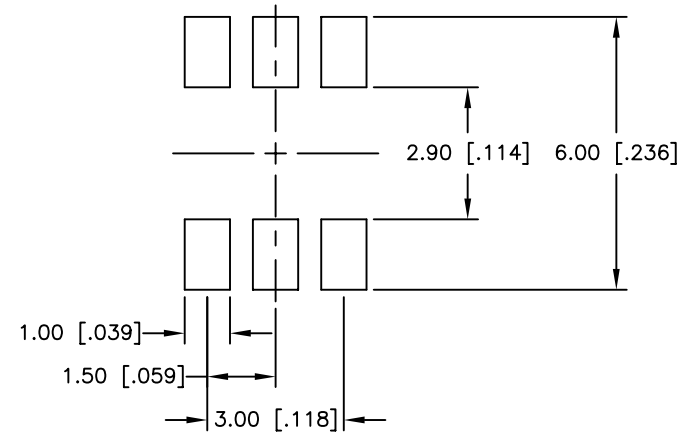
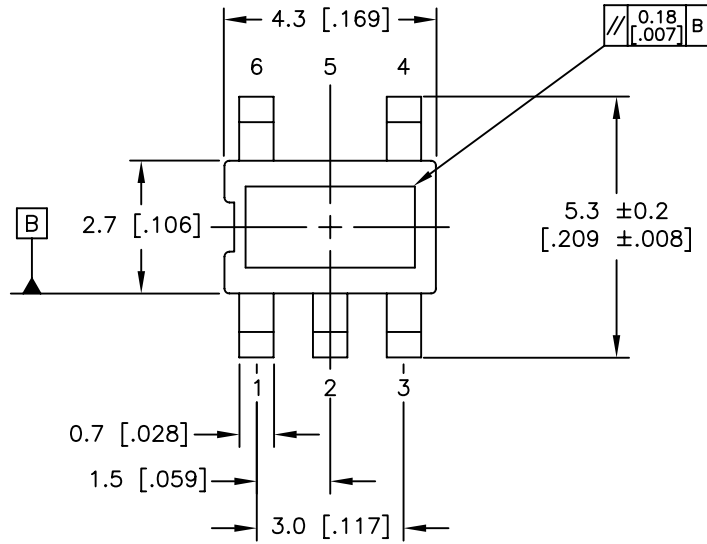
PART NO.

C2567NL

DATASHEET REV.

M10

MECHANICAL SPECIFICATIONS:



© Copyright, 2014. Pulse Electronics Corp. All rights reserved. Pulse confidential & proprietary. (04/11/2014)

PRODUCT DESCRIPTION:		SHEET:	PART NO.	DATASHEET REV.
XFMR, RF, SGL, 1:1.7, 1-70MHz, SMT		2 OF 2	C2567NL	M10