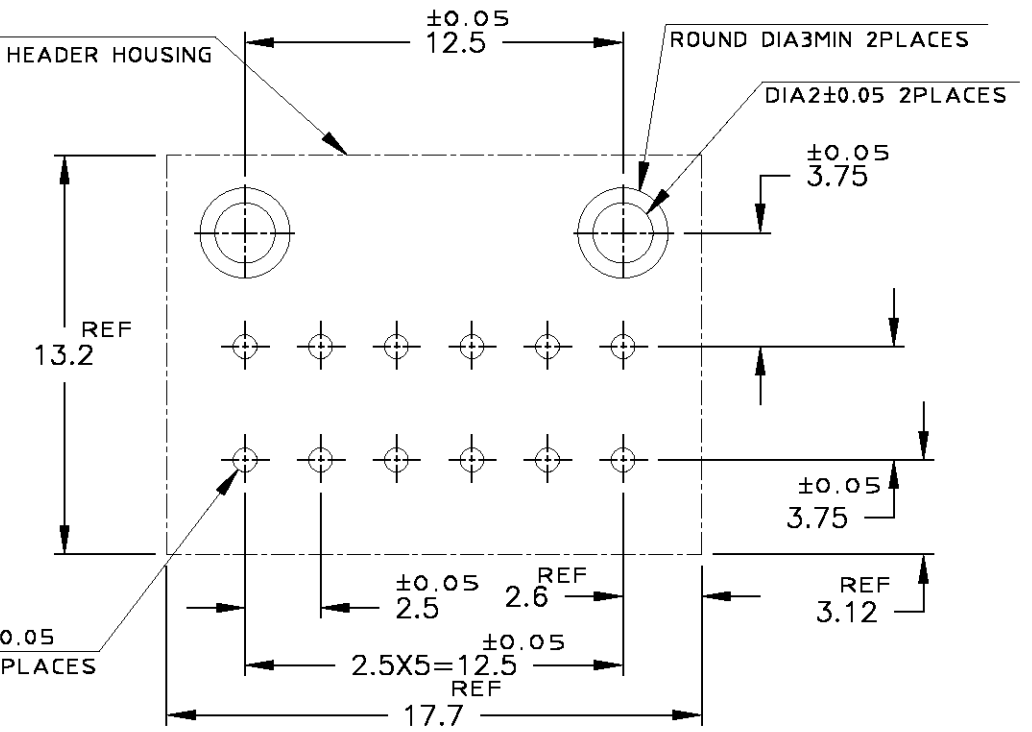
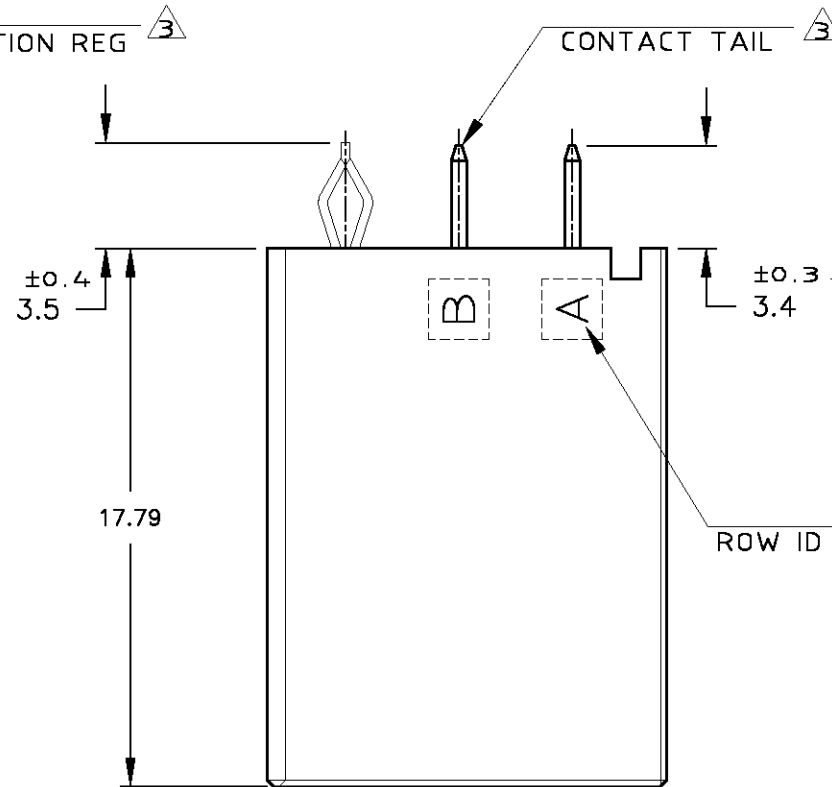
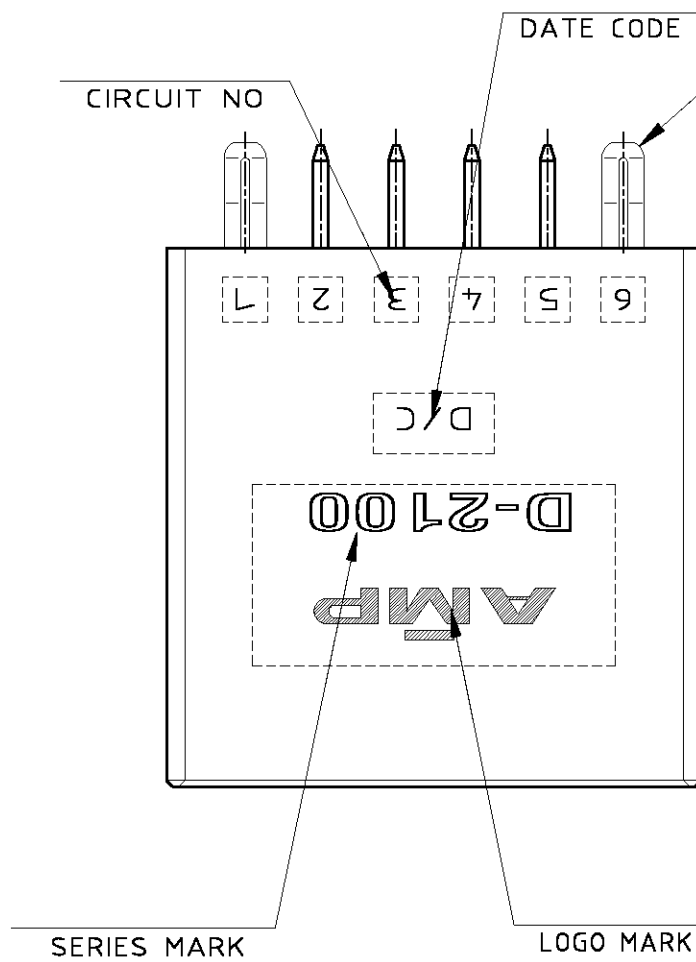
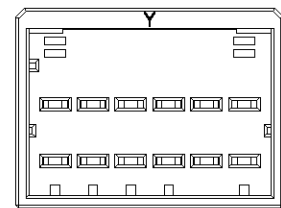


P	LTR	DESCRIPTION	DATE	DWN	APVD
	D	REVISED	25APR11	MM	NY

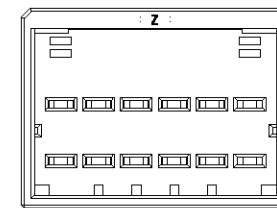
1318126-1/-2/-3 : AS SHOWN
9-1318126-2



RECOMENDED PC BOARD HOLE PATTERN (TOL: ±0.05)
PC BOARD THICKNESS: 1.6 ± 0.3
(CONNECTOR MOUNT SIDE)



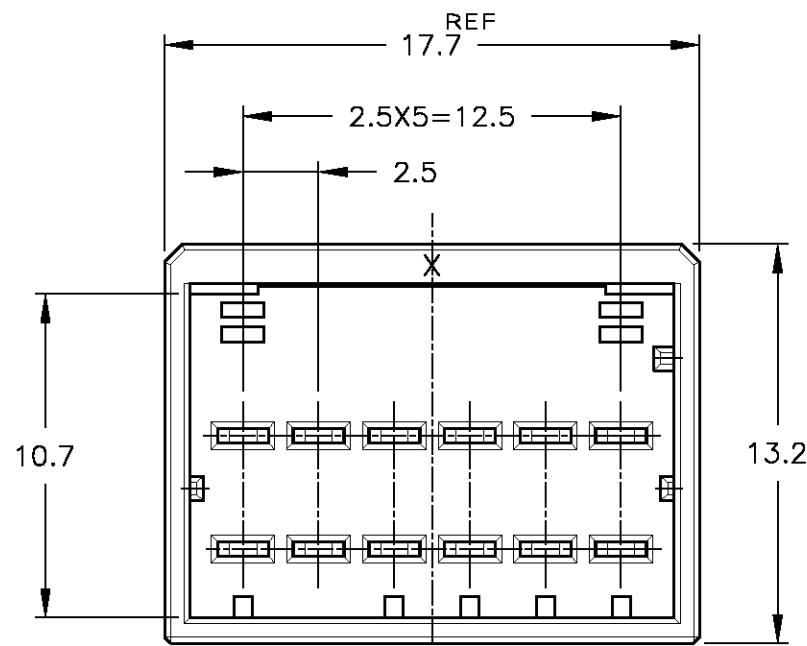
9-1318126-2
1318126-2
(KEYING Y)
SCALE: 2-1



1318126-3
(KEYING Z)
SCALE: 2-1

NOTES

- MATERIAL: HOUSING: GLASS FILLED THERMO PLASTIC, POLYESTER (94V-0), COLOR: 1318126-1/-2/-3 : BLACK, 9-1318126-2 : NATURAL
TAB CONTACT: COPPER ALLOY
RETENTION LEG: BRASS
- FINISH (CONTACT AREA): 0.38 μm MIN GOLD PLATING OVER NI PLATING
- FINISH (RETENTION LEG): TIN PLATED (CONTACT TAIL) OVER NICKEL



1318126-1
(KEYING X)

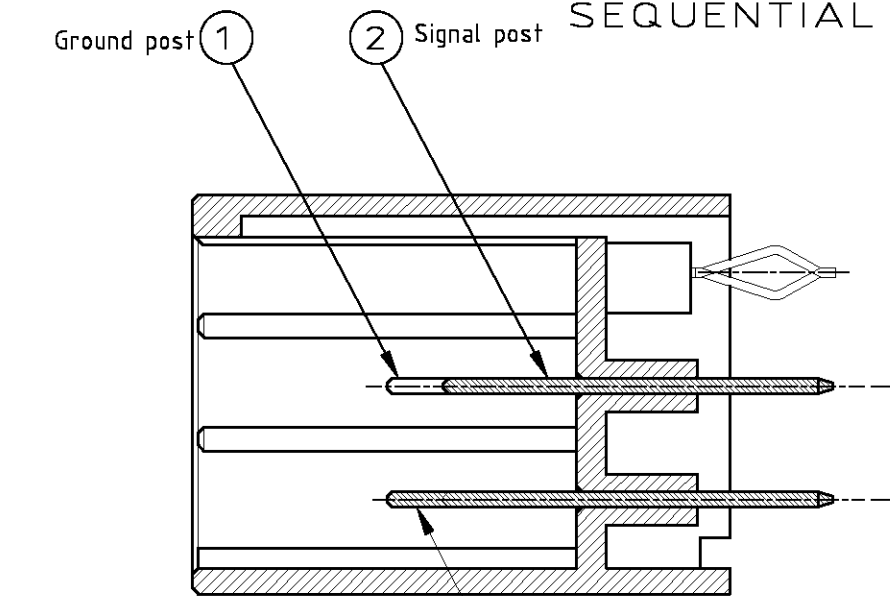
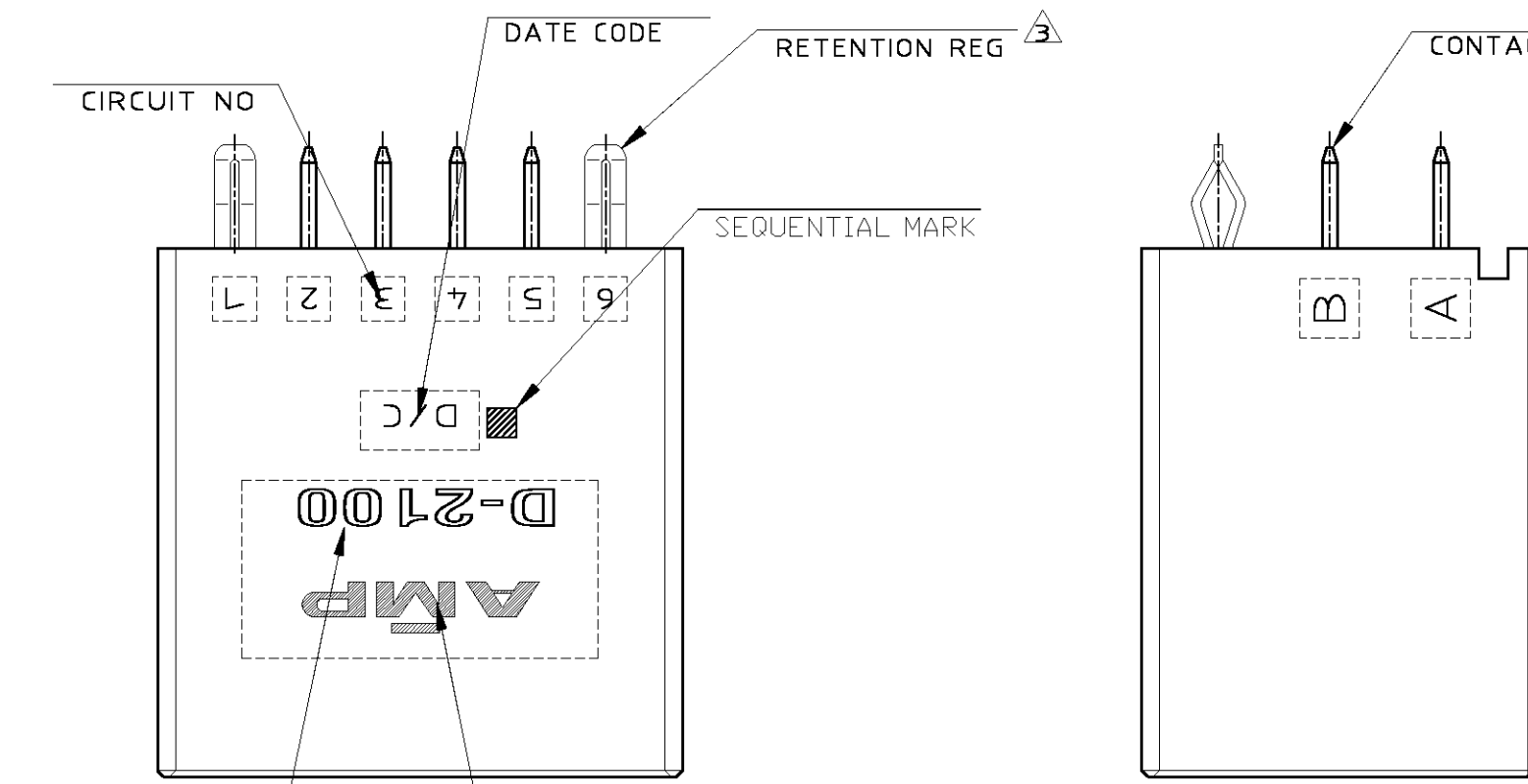
KEY	COLOR	TYPE	PART NO
Y	BLACK	SEQUENTIAL SHEET 2	1-1318126-2
X	BLACK	SEQUENTIAL SHEET 2	1-1318126-1
Z	BLACK	NORMAL	1318126-3
Y	NATURAL	NORMAL	9-1318126-2
Y	BLACK	NORMAL	1318126-2
X	BLACK	NORMAL	1318126-1

DWN K. IKEDA 7/DEC/98		TE Connectivity	
CHK N. MATSUBARA 7/DEC/98			
APVD I. HASEGAWA 7/DEC/98		NAME	
PRODUCT SPEC		DOUBLE ROW HEADER ASS'Y 12P ("V" TYPE) <DYNAMIC D-2100D>	
APPLICATION SPEC		SIZE A3	CAGE CODE 00779
WEIGHT		DRAWING NO C-1318126	
MATERIAL SEE NOTES		RESTRICTED TO -	
FINISH SEE NOTES		SCALE 4-1 SHEET 1 OF 2 REV D	
CUSTOMER DRAWING			

LOC	DIST
J	

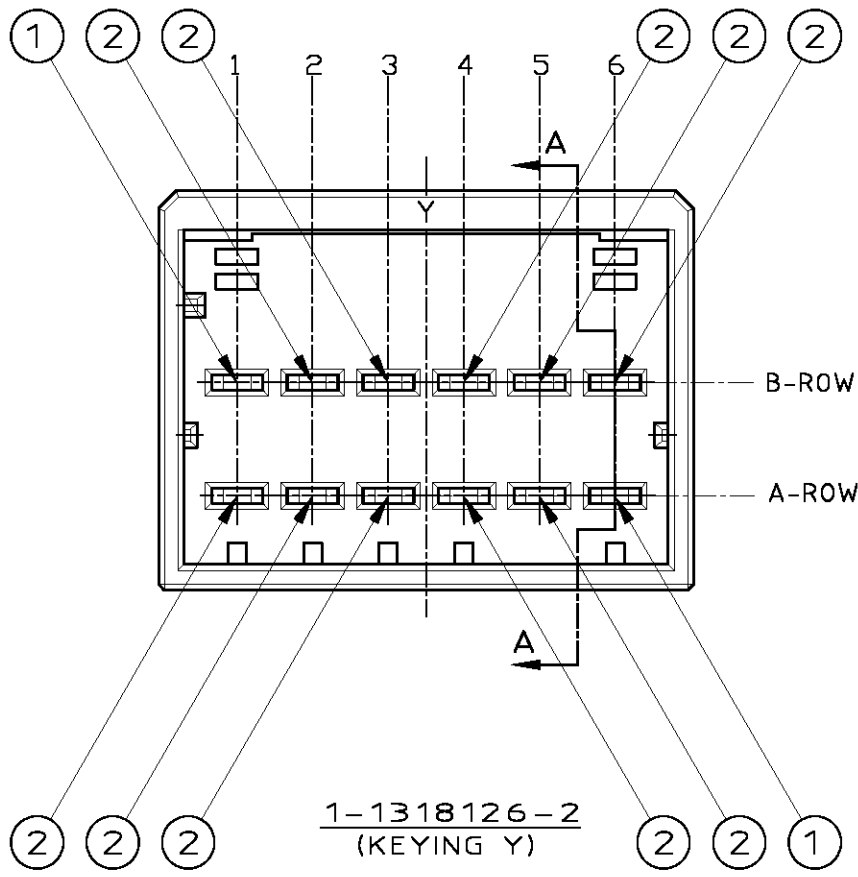
REVISIONS					
P	LTR	DESCRIPTION	ECN	DATE	APVD
		SEE SHEET 1			

1-1318126-1,2;AS SHOWN SEQUENTIAL TYPE



		CIRCUIT NO					
		1	2	3	4	5	6
R O W	B	① Ground	② Signal	② Signal	② Signal	② Signal	② Signal
	A	② Signal	② Signal	② Signal	② Signal	② Signal	① Ground

POINT OF SEQUENTIAL
1-1318126-1,2



- NOTES
- 1. MATERIAL:HOUSING:GLASS FILED THERMO PLASTIC ,POLYESTER(94V-0),COLOR:BLACK
 - TAB CONTACT:COPPER ALLOY
 - RETENTION LEG:BRASS
 - 2. FINISH(CONTACT AREA):0.38μmMIN GOLD PLATING OVER Ni PLATING
 - 3. FINISH(RETENTION LEG): TIN PLATED (CONTACT TAIL) OVER NICKEL

DIMENSIONS: mm		TOLERANCES UNLESS OTHERWISE SPECIFIED		DWN K.IKEDA 7/DEC/'98 CHK N.MATSUBARA 7/DEC/'98 APVD I.HASEGAWA 7/DEC/'98		TE Connectivity	
MATERIAL SEE NOTES		FINISH SEE NOTES		PRODUCT SPEC 108-5619		NAME DOUBLE ROW HEADER ASS'Y 12P ("V"TYPE) <DYNAMIC D-2100D>	
CUSTOMER DRAWING		WEIGHT T1		APPLICATION SPEC 114-5258		DRAWING NO C-1318126	
				SIZE A3		CAGE CODE 00779	
				SCALE 4-1		SHEET 2 OF 2	
				REV D		RESTRICTED TO -	