

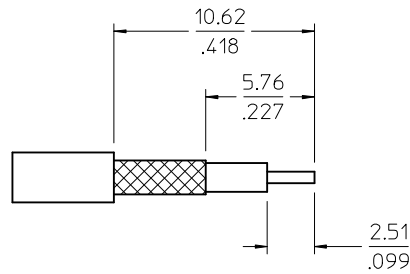
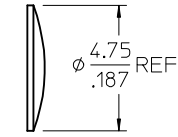
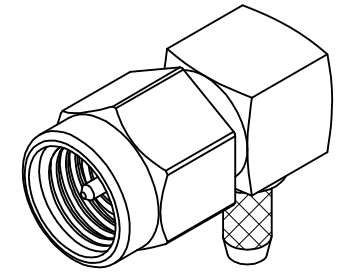
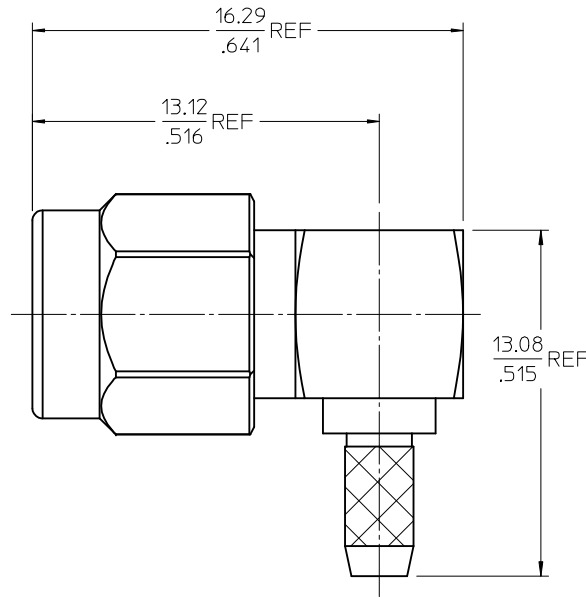
MATERIALS AND FINISHES

BODY, COUPLING NUT, CAP STAINLESS STEEL
PLATED GOLD (5 MICROINCHES MIN)

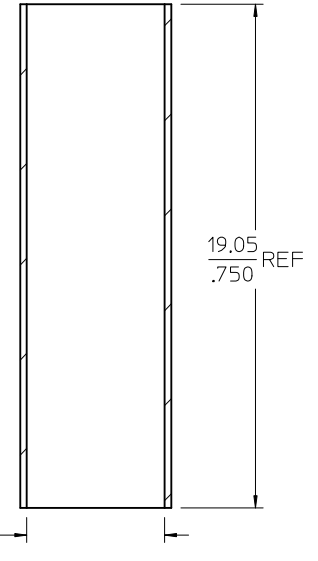
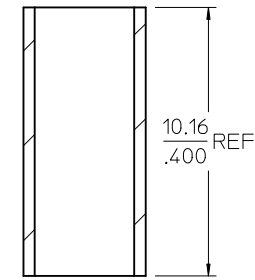
CENTER CONTACT BRASS
PLATED GOLD (30 MICROINCHES MIN)

INSULATOR TEFLON

CRIMP TUBE BRASS
PLATED GOLD (1 MICROINCHES MIN)



STRIP DIMENSIONS
CRIMP: 3.84(.151) HEX



PART # 73251-2350

UNLESS OTHERWISE SPECIFIED DIMS ARE MILLIMETERS AND ANGLES ARE DEGREES.

- ALL OVER.
- NO CHATTER OR NON-UNIFORM SURFACE FINISH ALLOWED.
- PARTS TO BE FREE OF BURRS & SHARP EDGES 0.13(.005) MAX BREAK.
- EXTERNAL THREADS TO BE ROLLED OR SINGLE POINT.
- DIAMETERS TO BE CONCENTRIC WITHIN 0.08(.003) TIR.

PS-89675-1300	ELEC/MECH PERFORMANCE
MIL-STD-348A, FIG. 310.1	INTERFACE
SPECIFICATION	DESCRIPTION

CHG: MODIFIED BODY INSULATOR AND CONTACT TO 1 PIECE DESIGN. REMOVED CABLE VIEW. REDREW IN SOLID DESIGNER
EC NO: URF2005-0217
DRWN: JMASTRIA 2004/11/29
CHKD: JMASTRIA 2004/11/29
APPR: JWIENER 2004/11/29

QUALITY SYMBOLS
▽=0
▽=0

GENERAL TOLERANCES (UNLESS SPECIFIED)
4 PLACES ± .005
3 PLACES ± .004
2 PLACES ± .003
1 PLACE ± .002
ANGULAR ± 2°
DRAFT WHERE APPLICABLE MUST REMAIN WITHIN DIMENSIONS

DIMENSION STYLE MM/IN
DRAWN BY AZR DATE 2003/12/07
CHECKED BY SSS DATE 2004/09/03
APPROVED BY JDW DATE 2004/09/03
MATERIAL NO. 732512350

SCALE DESIGN UNITS METRIC
TITLE SMA PLUG, R/A, 50 OHMS FUJIKARA 1.5C-QEW-CW EWR-2272, SMA-PC/RA
MOLEX MOLEX INCORPORATED
DOCUMENT NO. SD-73251-235
SHEET NO. 1 OF 1