

Technical specification:

Rated voltage: IEC 61076-2-101	3pos 250 V
Current rating: IEC 61076-2-101	4 A at 40°C
Insulation resistance: IEC 60512	>=100 MΩ
Pollution degree: IEC 60664-1	3/2
Degree of protection: IEC 60529	IP 67, in mated condition
Temperature range: IEC 60664-1	-30°C ... +80°C
Mating cycles: IEC 60512-9a	>=100

Materials:

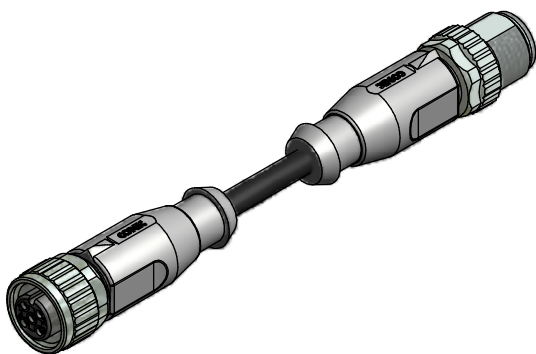
Contact:	CuZn
Contact plating:	Nickel, gold plated
Contact carrier:	TPU GF, UL 94
Sealing:	FPM
Coupling nut/ screw:	GD-Zn, nickel plated
Moulding body:	TPU, UL 94, grey

Installation specification:

Recommended torque:	0,6 Nm
Conec installation tool:	Torque wrench: 36-000200 Insert across flats 13: 36-000220

Contact assignment:

- 1) brown —■
- 3) blue —■
- 4) black —■



Part no:	Description:	Length L:	Cable:
43-10556	SAL - 12 - RK3 - RS3 - 0,3 / K1	0,3m	TPU, UL 20549, black, 3x0,34mm ² Cable: 781-K13300
43-10557	SAL - 12 - RK3 - RS3 - 0,6 / K1	0,6m	
43-10558	SAL - 12 - RK3 - RS3 - 1,5 / K1	1,5m	
43-10559	SAL - 12 - RK3 - RS3 - 3,0 / K1	3m	
43-xxxxx	SAL - 12 - RK3 - RS3 - ... / K1	x	

D see data sheet cable

DO NOT ALTER CAD DRAWING BY HAND	Directive 2002/95/EC RoHS compliant	Index: a 25.01.2011 VF Ä3767 Coupling nut/screw modified, spanner flats added, data sheet modified	dim. in mm	title: Connecting cable M12x1, female connector axial - male connector axial dwg no: 43K1A099 part no: see table									
		tolerance of cable: L ≤ 4m: L + 40mm L > 4m: L + 1%			<table border="1"> <tr> <td></td> <td>date</td> <td>name</td> </tr> <tr> <td>drawn</td> <td>08.03.07</td> <td>Fromm</td> </tr> <tr> <td>appd.</td> <td>08.03.07</td> <td>Mankopf</td> </tr> </table>		date	name	drawn	08.03.07	Fromm	appd.	08.03.07
			date		name								
		drawn	08.03.07		Fromm								
appd.	08.03.07	Mankopf											
THIS DRAWING MAY NOT BE COPIED OR REPRODUCED IN ANY WAY, AND MAY NOT BE PASSED ON TO A THIRD PARTY WITHOUT WRITTEN PERMISSION. OWNERSHIP AND COPYRIGHT OF CONEC GmbH													