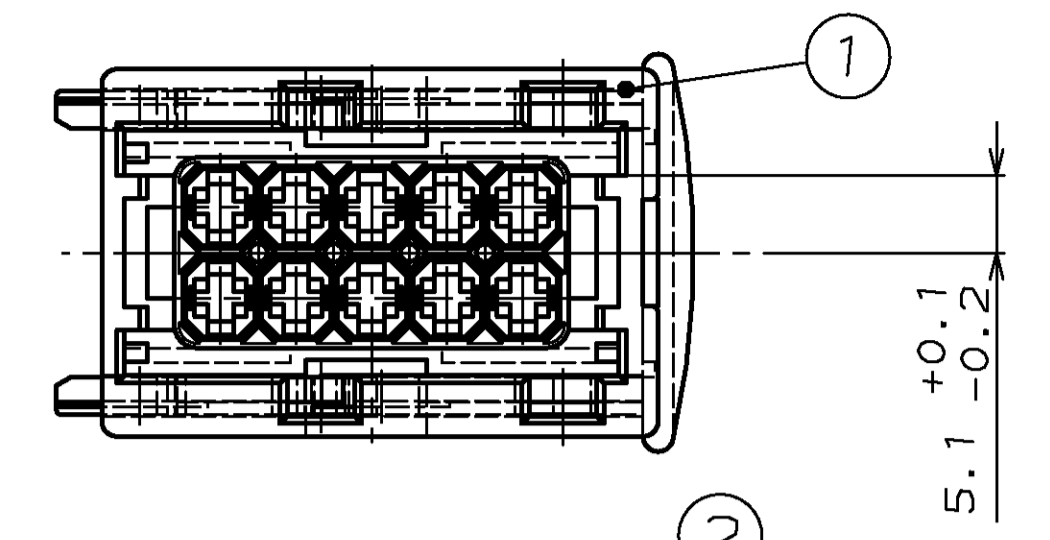
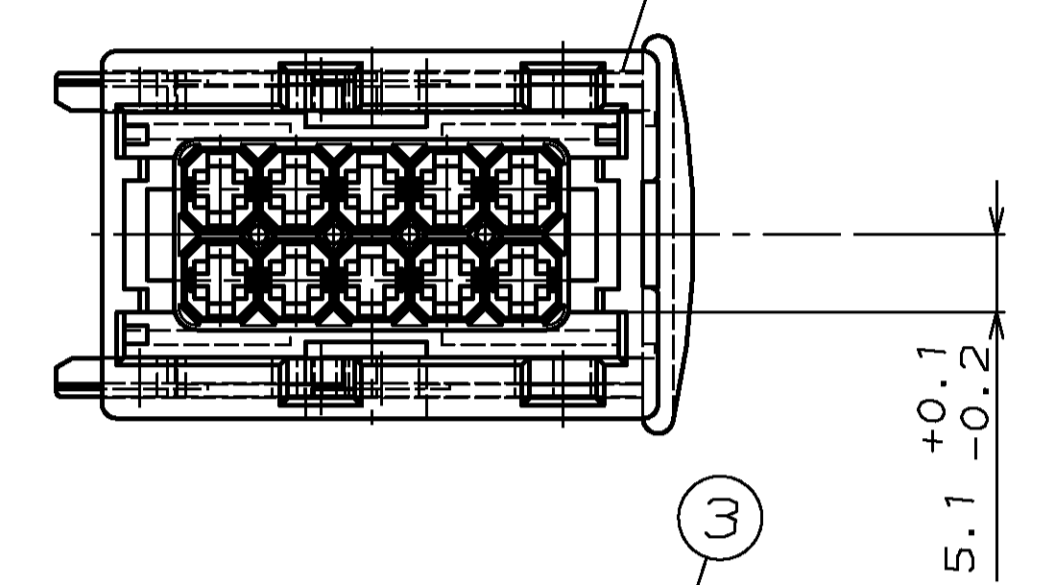


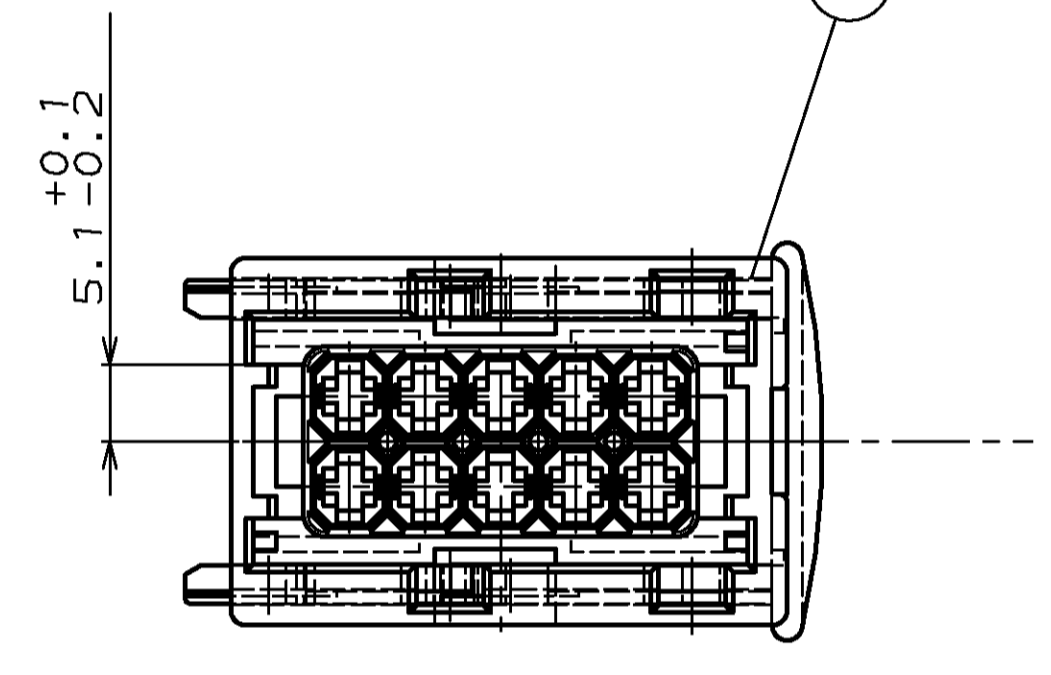
CODING A1



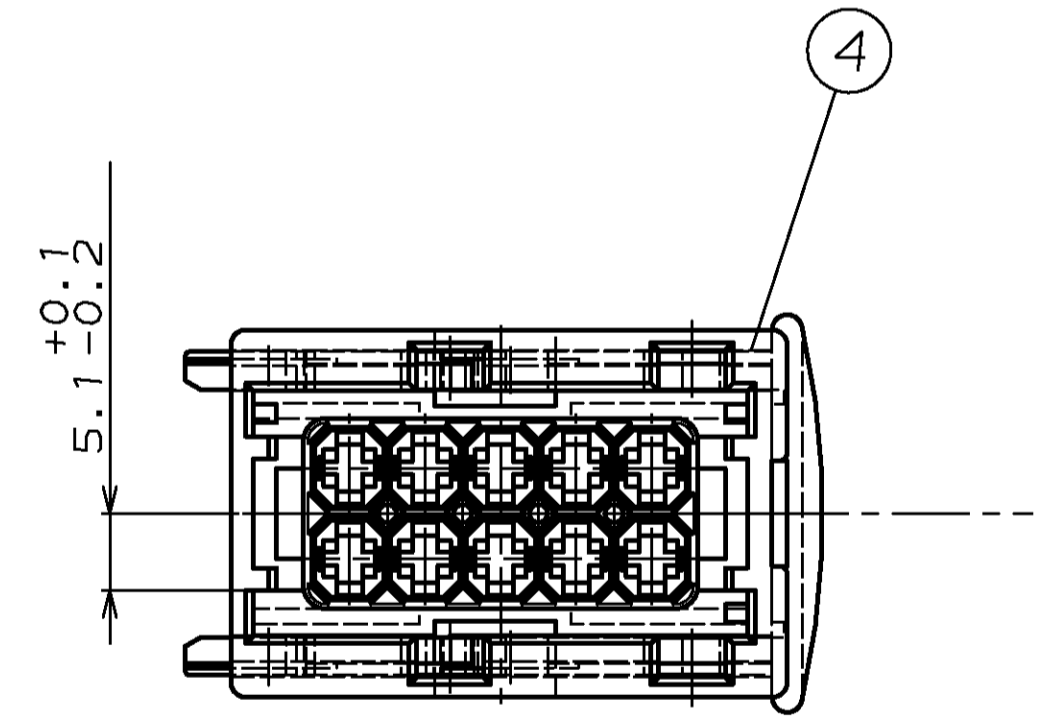
CODING B1



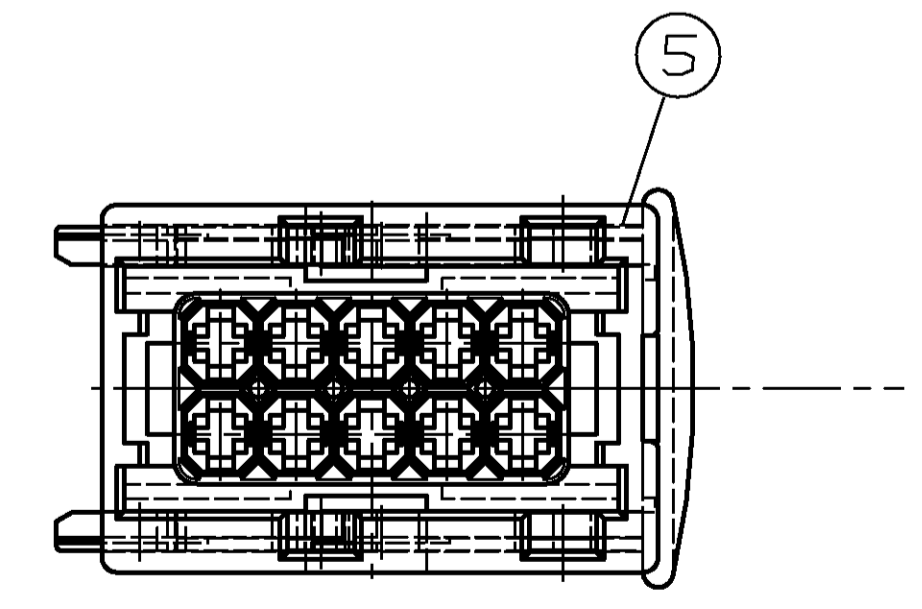
CODING C1



CODING D1



CODING N



SAAB PART NO	AMP PART NO	REV.	PCS.	MATERIAL	SURFACE COLOR	DESCRIPTION	ITEM NO
4114005	5-963214-1	D	1	PBT-GF30	RED	SLIDE	6
	CODING N		1	PBT/ASA-GF30	WHITE	JPT HOUSING, 10POS.	5
4114047	4-963214-1	D	1	PBT-GF30	RED	SLIDE	6
	CODING D1		1	PBT/ASA-GF30	BROWN	JPT HOUSING, 10POS.	4
4114039	3-963214-1	D	1	PBT-GF30	RED	SLIDE	6
	CODING C1		1	PBT/ASA-GF30	BLUE	JPT HOUSING, 10POS.	3
4114021	2-963214-1	D	1	PBT-GF30	RED	SLIDE	6
	CODING B1		1	PBT/ASA-GF30	GREY	JPT HOUSING, 10POS.	2
4114013	1-963214-1	D	1	PBT-GF30	RED	SLIDE	6
	CODING A1		1	PBT/ASA-GF30	BLACK	JPT HOUSING, 10POS.	1

THIS DRAWING IS UNCLASSIFIED AND IS RELEASED FOR PUBLICATION
 IT IS SUBJECT TO CHANGE AND THE CONTROLLING ENGINEERING
 DEPARTMENT SHALL BE ADVISED FOR THE LATEST REVISION.
 DIMENSIONS: DIMENSIONEN: UNLESS OTHERWISE SPECIFIED, ALL DIMENSIONS ARE IN MILLIMETERS.
 TOLERANCES UNLESS OTHERWISE SPECIFIED: ALL DIMENSIONS ARE IN MILLIMETERS.

DATE: 28.03.93	DESIGNER: S. Garcia	DRW: W. Stabroth
PRODUCT SPEC: 108-18102	APPLICATION SPEC: 114-18175	WEIGHT: -
PRODUCT CODE: JPT	DRAWING NO: A1 00779	REVISIONS: -
PROJECT: JPT Gehäuse, 10POS.	CUSTOMER DRAWING: /KUNDENZEICHNUNG	SCALE: 2:1

AMP tyco Electronics AMP GmbH
 D - 64625 Bensheim