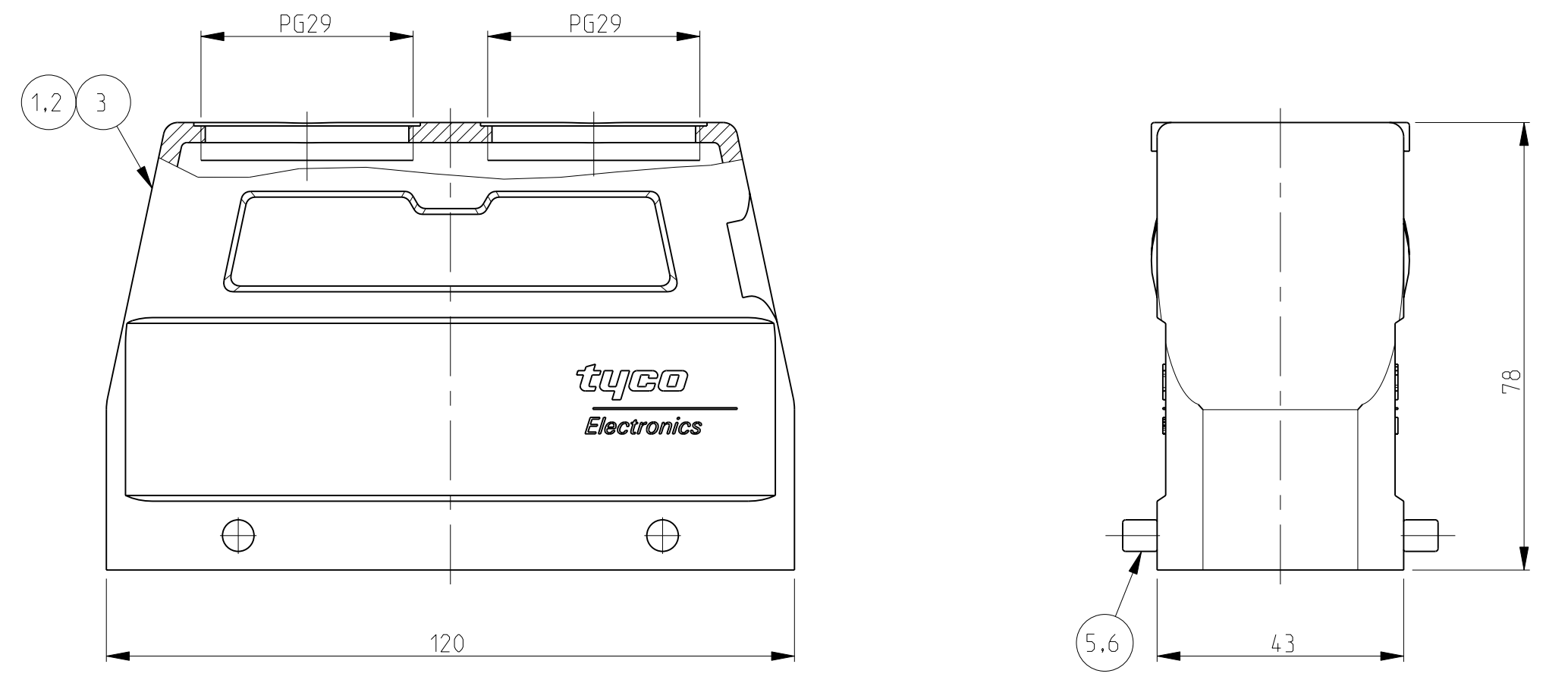
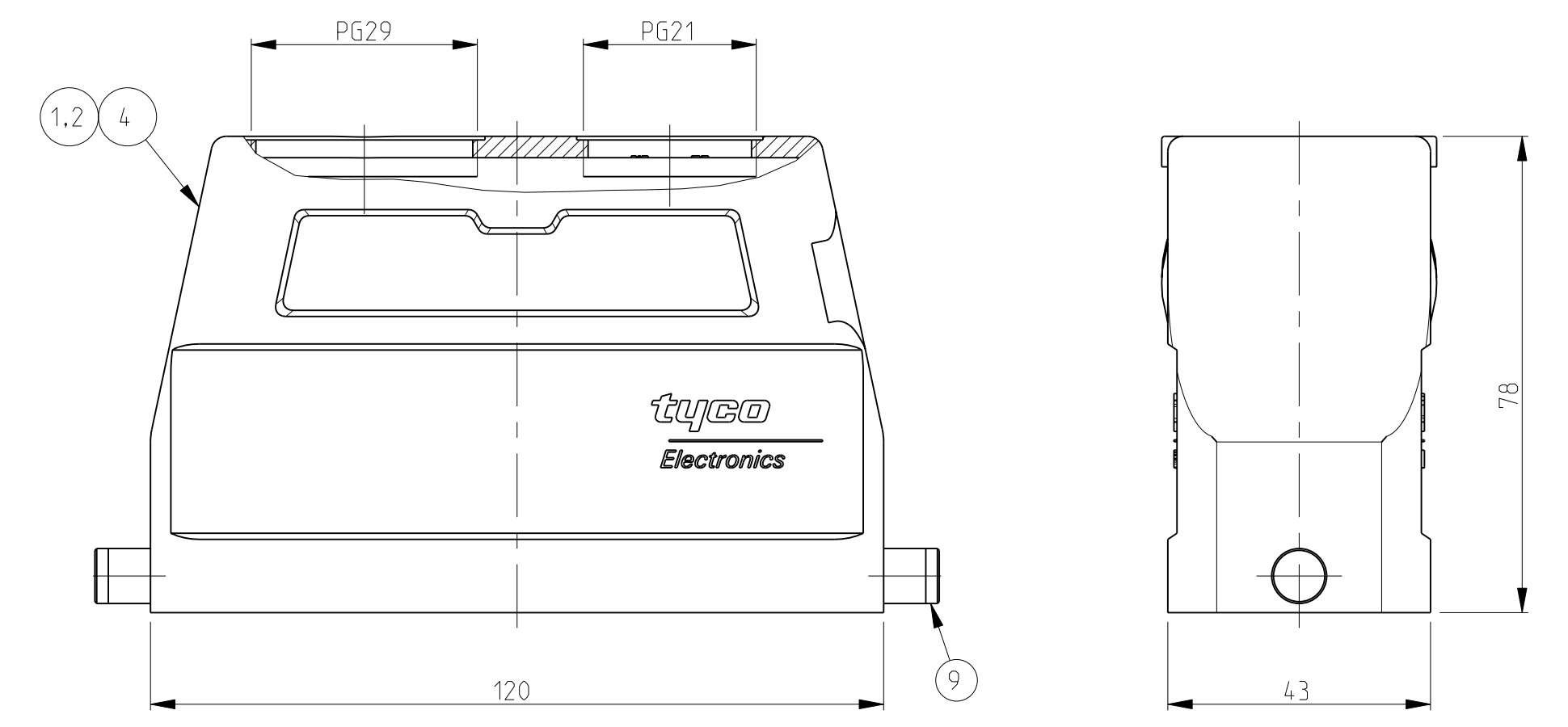


LOC	DIST	REV	DATE	BY	APPD
A1	-	A5	17.12.07	SP	TS

PN 1-6.2-6 & 9-6

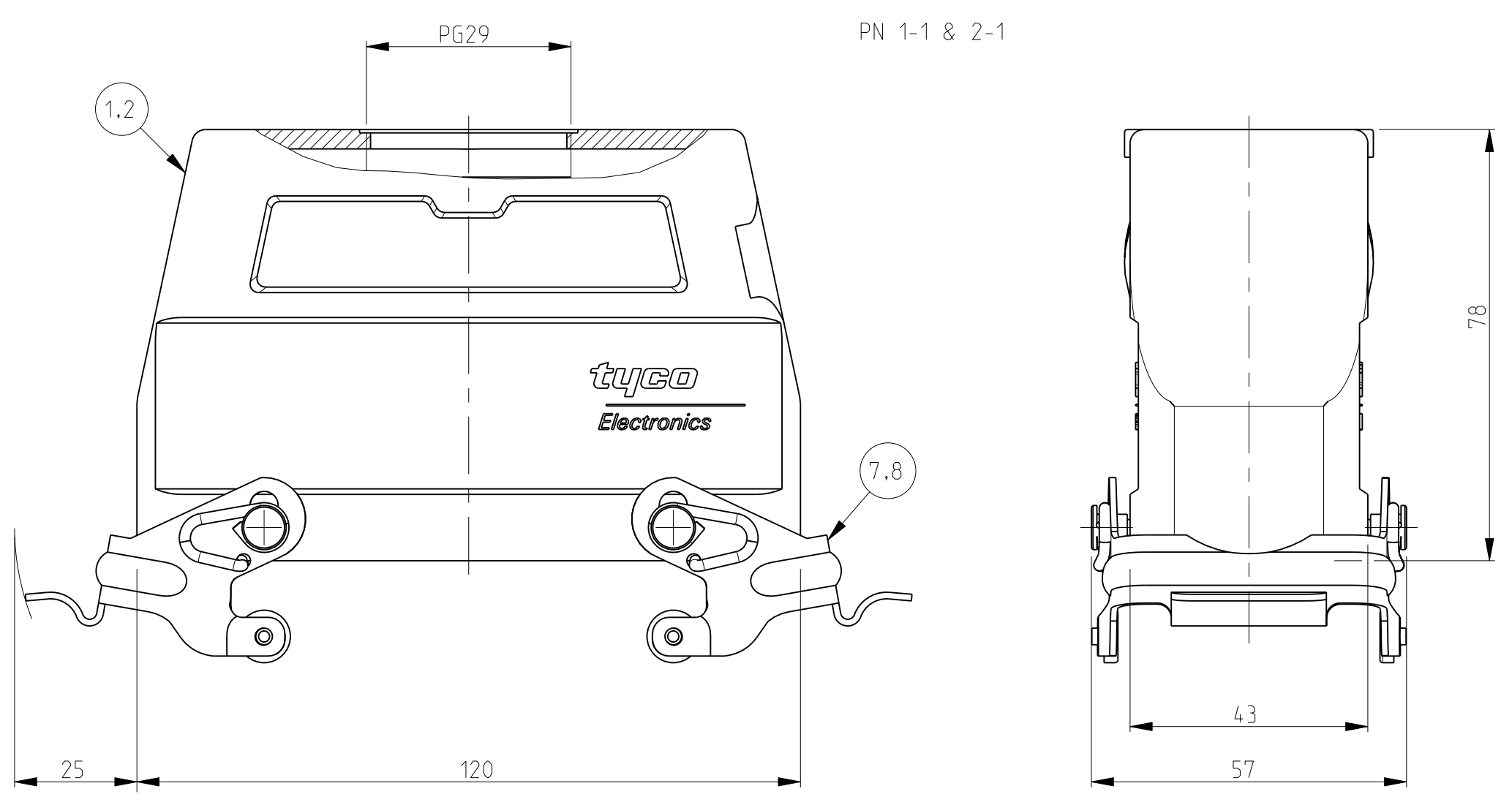


PN 1-7.3-0 & 3-1

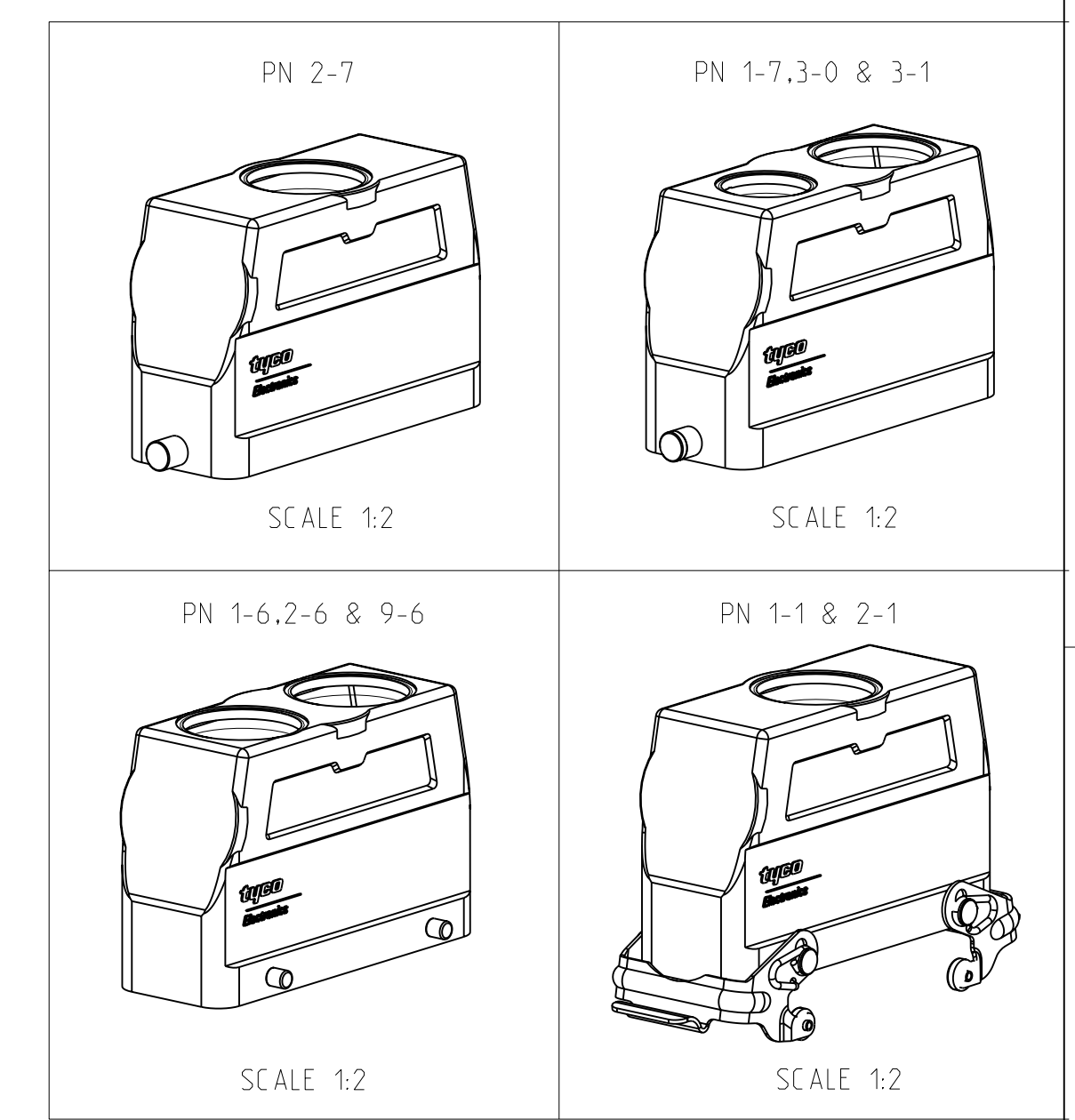
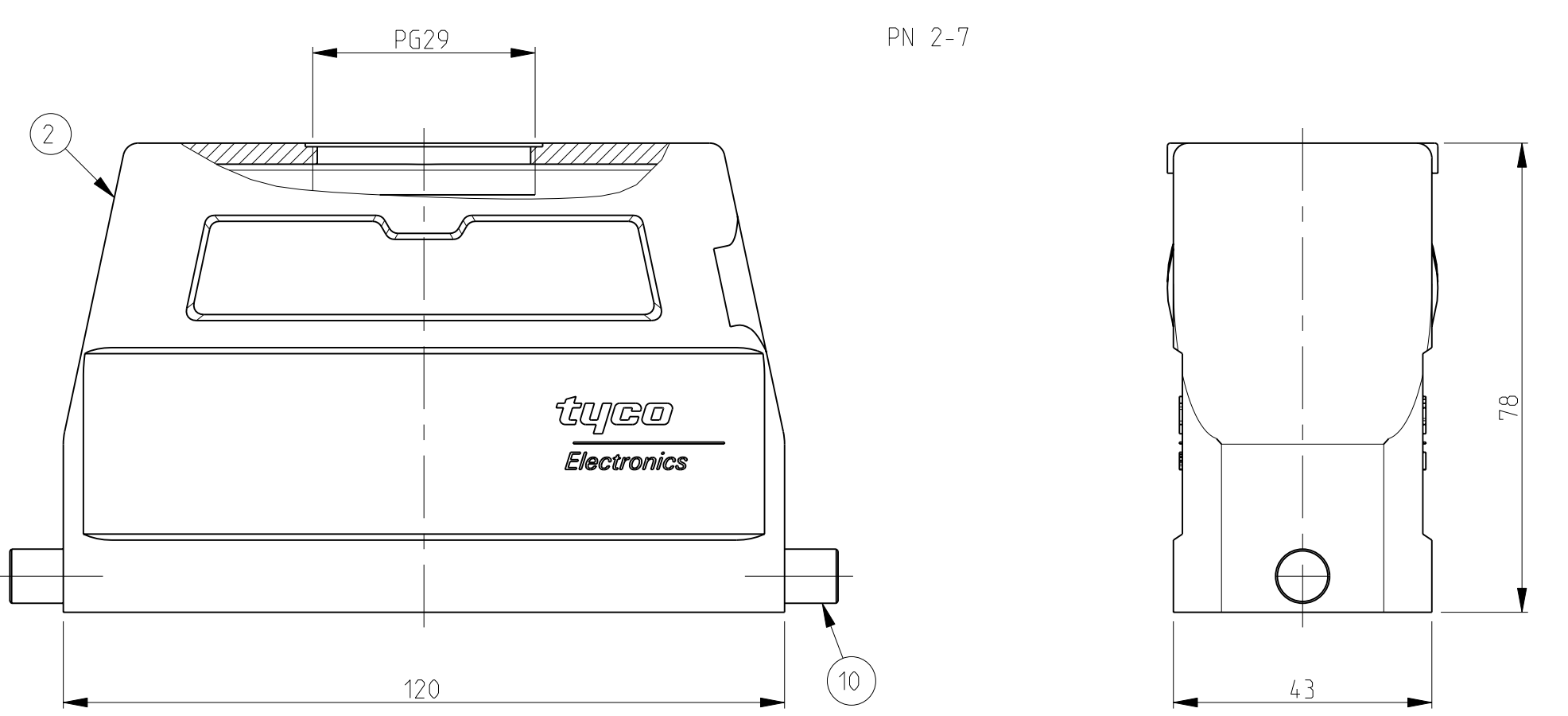


- NOTES.
- Material:Housing:Aluminium Diecasting Alloy
  - Surface:Varnish grey
  - Varnish on the inside not necessary
  - Packaging Quantity 5 Pieces in a box

PN 1-1 & 2-1



PN 2-7



QTY	DESCRIPTION	MATERIAL	SURFACE	COLOR	ITEM NO	REMARKS
2	LB-Side clip	Stainless steel	-	Blue	10	
2	LB-Side clip	Steel	Zinc plated	Blue	9	
2	VS-Locking clip	Stainless steel	-	Blue	8	
2	VS-Locking clip	Steel	Zinc plated	Blue	7	
4	VS-Clip bolt	Stainless steel	-	Blue	6	
4	VS-Clip bolt	Steel	Zinc plated	Blue	5	
1	Hood HD.64.Pg.1.21+1.29	Aluminium	-	Grey	4	
1	Hood HD.64.Pg.1.29	Aluminium	-	Grey	3	
1	Hood HD.64.Pg.1.29	Aluminium	Aluminium oxide	Black	2	
1	Hood HD.64.Pg.1.29	Aluminium	-	Grey	1	

ORDERING TEXT  
 HD.64.STO.1.29.G  
 HD-K.64.STO.1.29.G  
 HD.64.STO-VS.1.29.G  
 HD-K.64.STO-VS.1.29.G  
 HD.64.STO-GR.1.29.G  
 HD-K.64.STO-GR.1.29.G  
 HD.64.STO-GR.2.29.G-SO  
 HD.64.STO-GR.1.21.G+1.29.G-SO  
 HD.64.STO.2.29.G-SO

DIMENSIONS:	TOLERANCES UNLESS OTHERWISE SPECIFIED:	DWN	Schneider	08.12.1998	Tyco Electronics Tyco Electronics AMP GmbH 0-53819-Neunkirchen,Germany
mm	0 PLC ±0.15 1 PLC ±0.2 2 PLC ±0.3 3 PLC ±0.4 4 PLC ±0.5 ANGLES ±	CHK	Schweiger	08.12.1998	
MATERIAL	FINISH	APVD			NAME
		PRODUCT SPEC	108-74001 108-74003		Hood HD.64.STO.1.29.G
		APPLICATION SPEC	114-74001 114-74004		SIZE CAGE CODE DRAWING NO
		WEIGHT			A1 00779 C=1103344
		CUSTOMER DRAWING			SCALE 1:1 SHEET 1 OF 1 REV A5