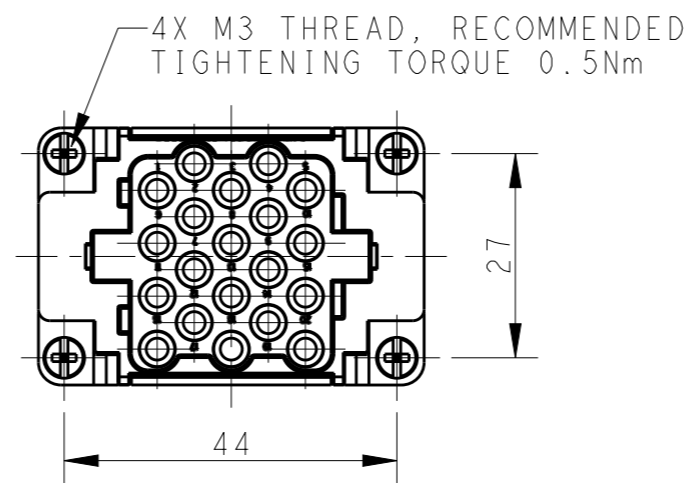
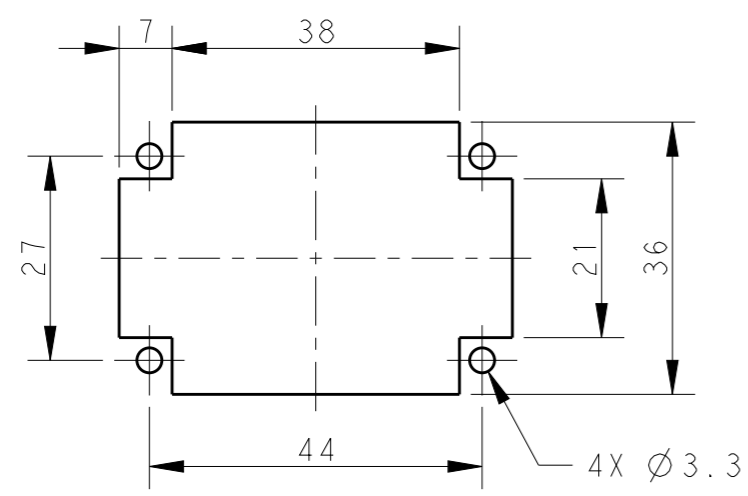
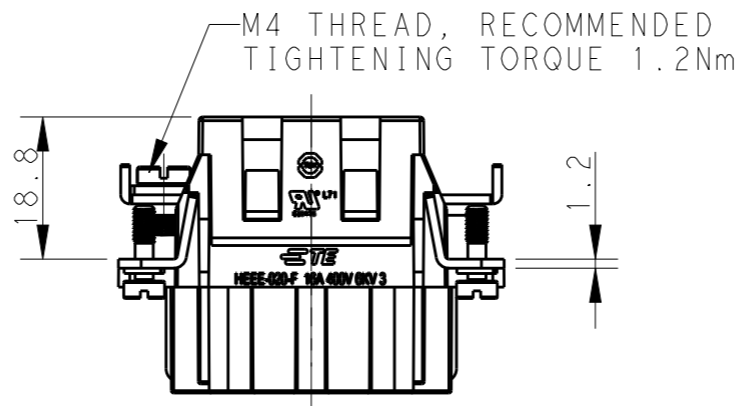
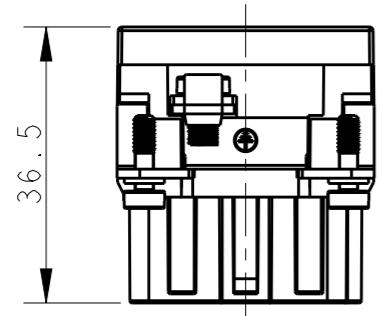
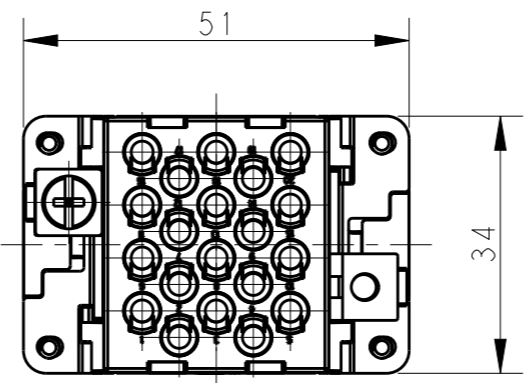
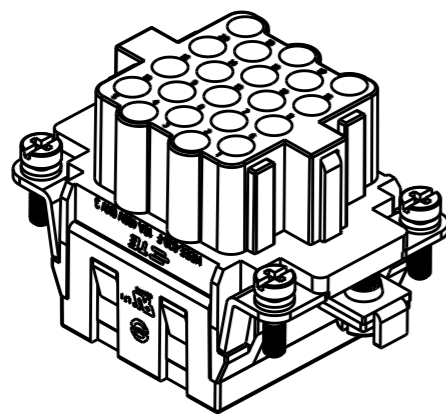


REVISIONS

P	LTR	DESCRIPTION	DATE	DWN	APVD
A		INITIAL RELEASE	18DEC2014	HMR	CW
B		ECR-15-015267	19OCT2015	DW	CW



NOTES:

- TECHNICAL CHARACTERISTICS:
 INSULATION MATERIAL: PC
 RATED VOLTAGE: 400V
 RATED CURRENT: 16A
 INSULATION RESISTANCE: $\geq 400M\Omega$
 RATED IMPULSE VOLTAGE: 6KV
 POLLUTION DEGREE: 3
 FLAMMABILITY: UL94V-0
 MATING CYCLES: 500 CYCLES
 OPERATION TEMPERATURE: $-40^{\circ}C \sim +125^{\circ}C$
 WIRE RANGE: $0.14mm^2 \sim 4mm^2$ (AWG26-AWG12)
 CONTACT TYPE: CRIMP CONTACT
- CONTACTS NEED TO BE ORDERED SEPARATELY.
 (ORDER No. REFER TO DRAWING: T20300X20XX000)

注释:

- 技术参数:
 绝缘材料: PC
 额定电压: 400V
 额定电流: 16A
 绝缘电阻: $\geq 400M\Omega$
 脉冲电压: 6KV
 污染等级: 3
 阻燃等级: UL94V-0
 插拔次数: 500次
 工作温度: $-40^{\circ}C \sim +125^{\circ}C$
 接线范围: $0.14mm^2 \sim 4mm^2$ (AWG26-AWG12)
 接线类型: 冷压接
- 端子需要单独订购。
 (订货号参考图面: T20300X20XX000)

HEEE-020-F	T2050202201-000
DESCRIPTION	PART NUMBER

PANEL CUT FOR INSERTS FOR USE WITHOUT HOODS/ HOUSINGS

THIS DRAWING IS A CONTROLLED DOCUMENT.

DIMENSIONS:	TOLERANCES UNLESS OTHERWISE SPECIFIED:
mm	
	0 PLC ± 0.1
	1 PLC ± 0.15
	2 PLC ± 0.2
	3 PLC ± 0.25
	4 PLC ± 0.3
	ANGLES ± 0.1
MATERIAL	FINISH
-	-

DWN	18DEC2014
RAGHAVENDRA H M	
CHK	18DEC2014
CHRIS WANG	
APVD	18DEC2014
XU XIANG	
PRODUCT SPEC	108-137068
APPLICATION SPEC	114-137068
WEIGHT	-
Customer Drawing	

TE Connectivity		NAME		HEEE-020-F
		SIZE	CAGE CODE	
DRAWING NO		RESTRICTED TO		
A300779		G-T2050202201000		
SCALE	SHEET	OF	REV	
1:1	1	1	B	