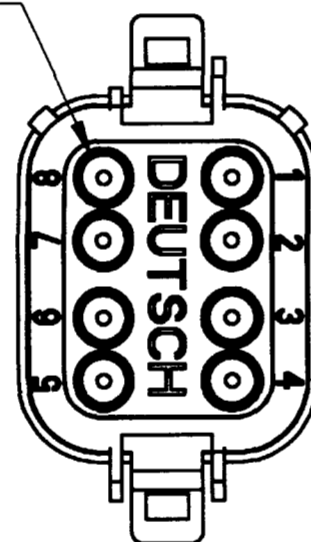


**3-DIMENSIONAL VIEW**

EXTRA RING IDENTIFIES GROMMET AS HAVING REDUCED DIAMETER WIRE SEALS. [E SEAL].



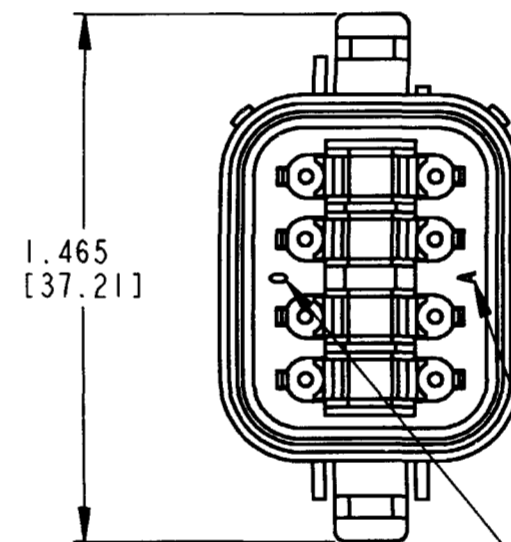
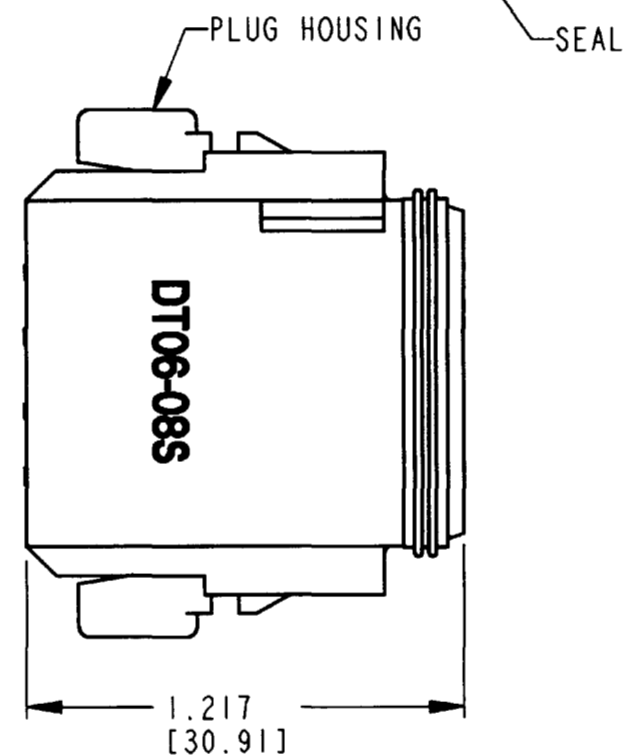
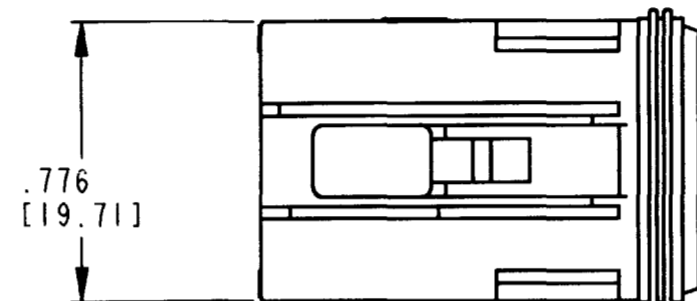
CONTACT SIZE	MIN. INSUL O.D.	MAX. INSUL O.D.	WIRE RANGE [mm <sup>2</sup> ]
16	.053 [1.35]	.120 [3.05]	14-20 AWG [2.0-0.5]

4. THIS PLUG MATES WITH DT04-08PB-\*\*\*\* RECEPTACLE (\*\*\*\* = ALL MODIFICATIONS). CONSULT FACTORY FOR MODIFICATIONS.
3. FOR CONTACTS AND WIRE PERFORMANCE AND APPLICATION CHARACTERISTICS SEE ENVELOPE DRAWING 0425-015-0000 AND 0425-017-0000.
2. DIMENSIONS ARE ±.025[0.63] UNLESS OTHERWISE SPECIFIED.
1. DIMENSIONS ARE IN INCHES [MILLIMETERS].

NOTES:

REV NC DT06-08SB-CE06

REVISIONS			
SYM	DESCRIPTION	DATE	APPROVED
NC	NEW RELEASE PER E.O. PI6570	3/7/00	DM



DATE CODE:  
MONTH IS REPRESENTED BY SEQUENTIAL ALPHA CHARACTERS. EX: A=JANUARY  
YEAR IS REPRESENTED BY THE LAST NUMERICAL DIGIT. EX: 0=2000

SIGNATURE & DATE	
DR	S. THEIS 3/1/00
CHK	D. Meyer 3/7/00
PE	S. Theis 3-6-00
APPD	D. Meyer 3/7/00
SCALE	NONE

8 WAY PLUG  
W/ RECUCED DIA. GROMMET  
COLOR: BLACK  
-B- KEY  
CE06 MOD  
DT SERIES  
ENVELOPE

CP	MATL. CODE
<b>The Deutsch Company</b>	
DEUTSCH I.P.D. 3850 INDUSTRIAL AVE. HEMET, CALIF. 92545	
<b>B</b>	<b>DT06-08SB-CE06</b>
DWG SIZE	CODE 11139 SHEET 1 OF 1