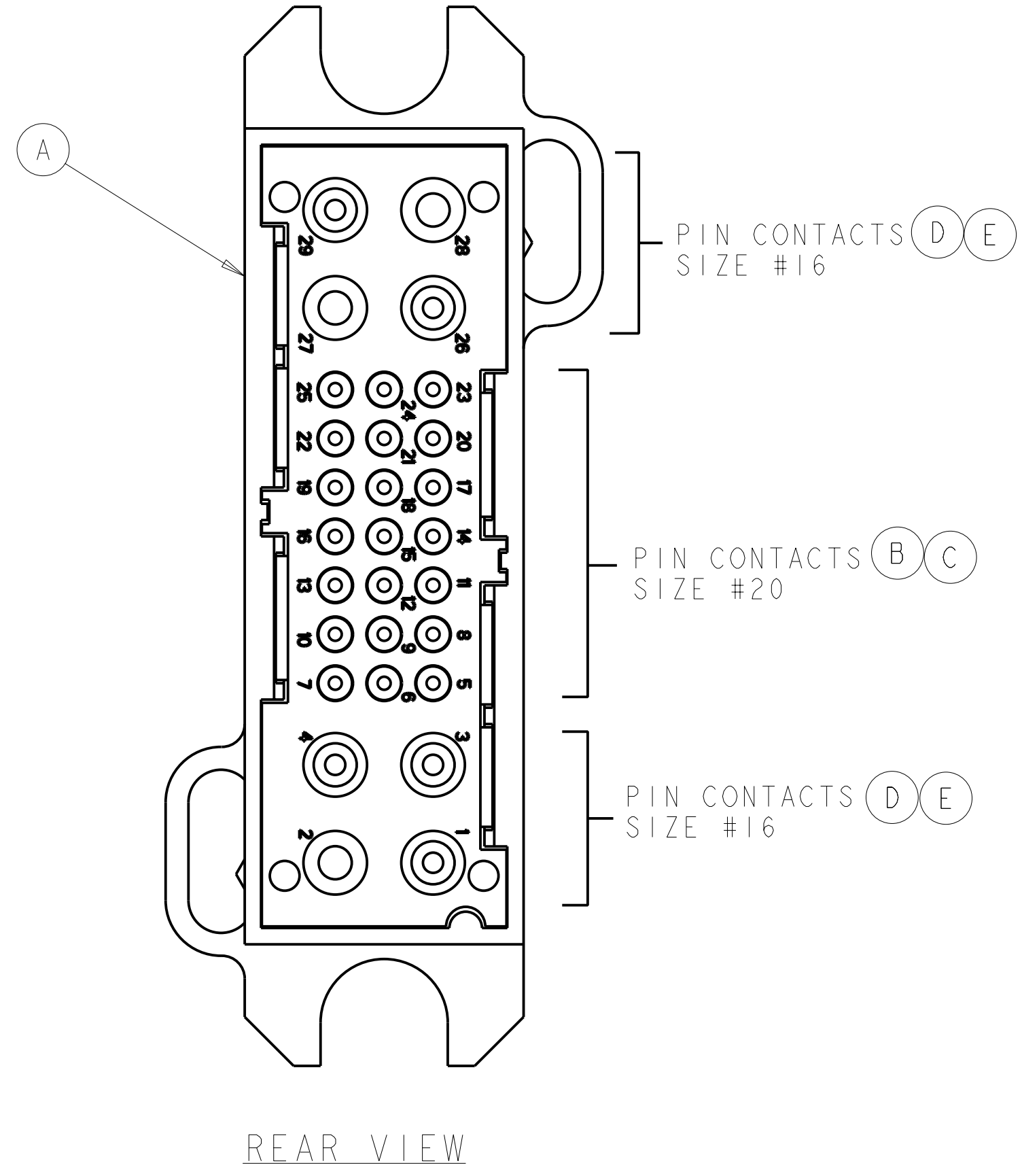
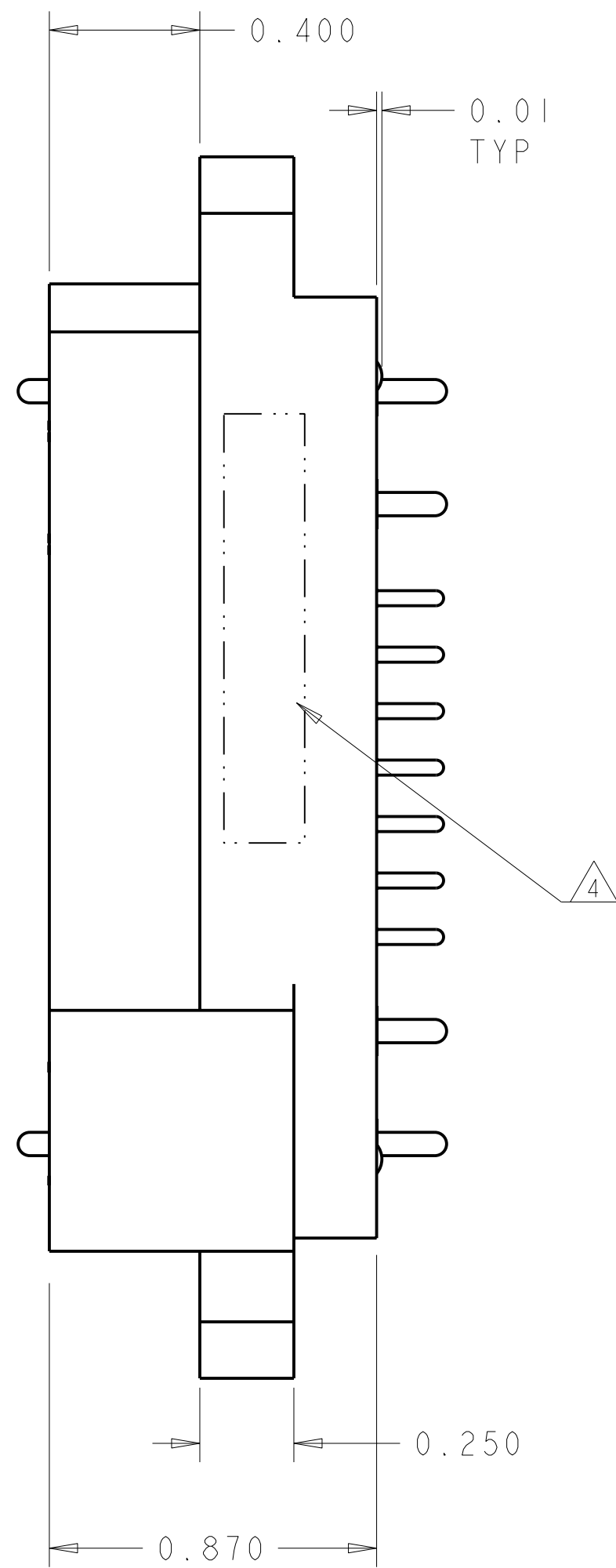
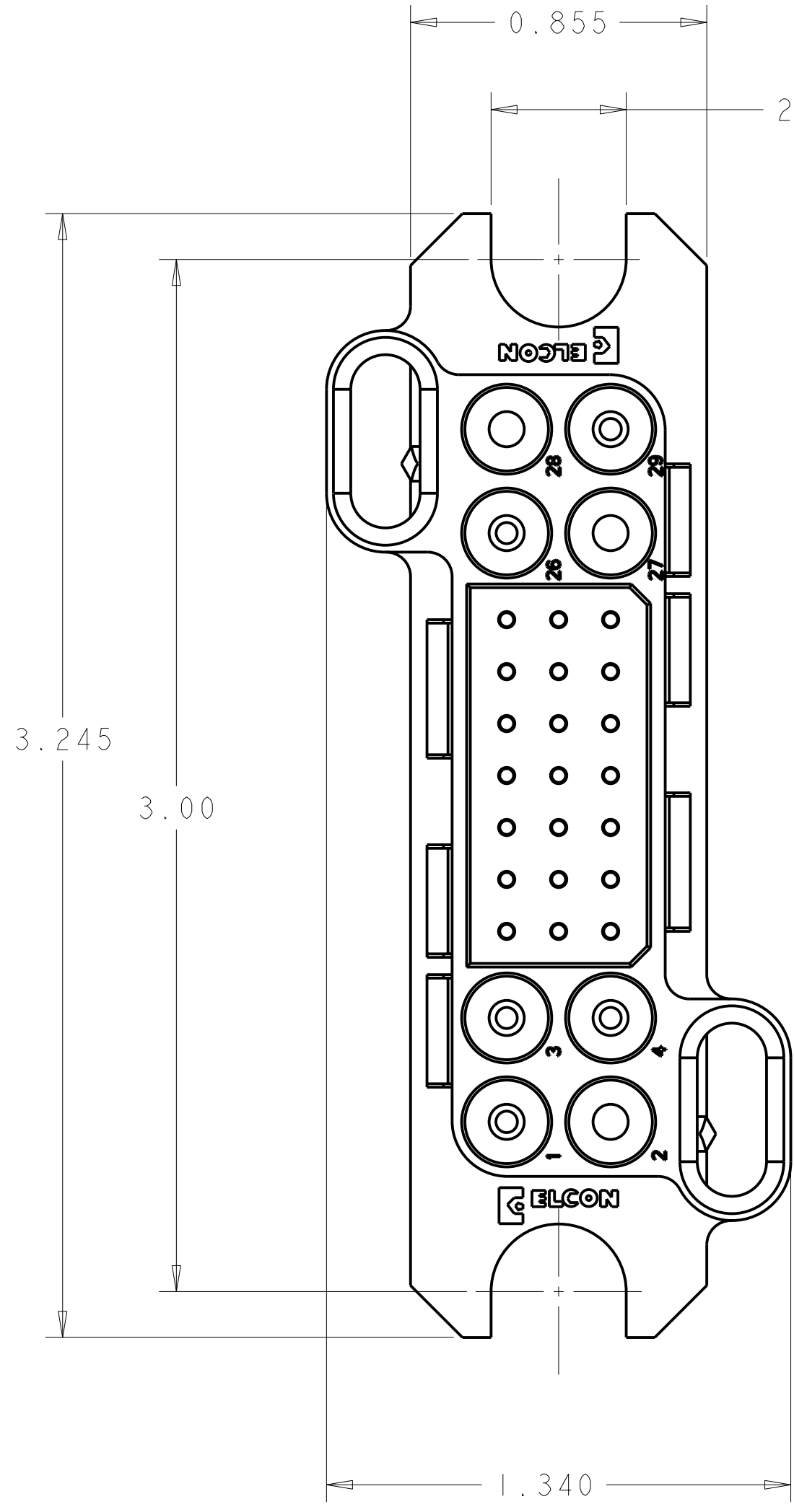


THIS DRAWING IS UNPUBLISHED. RELEASED FOR PUBLICATION 20
 © COPYRIGHT 20 BY TYCO ELECTRONICS CORPORATION. ALL RIGHTS RESERVED.

LOC	DIST	REVISIONS			
P	LTR	DESCRIPTION	DATE	DWN	APVD
	A	RELEASED	18JUN2009	RG	DO



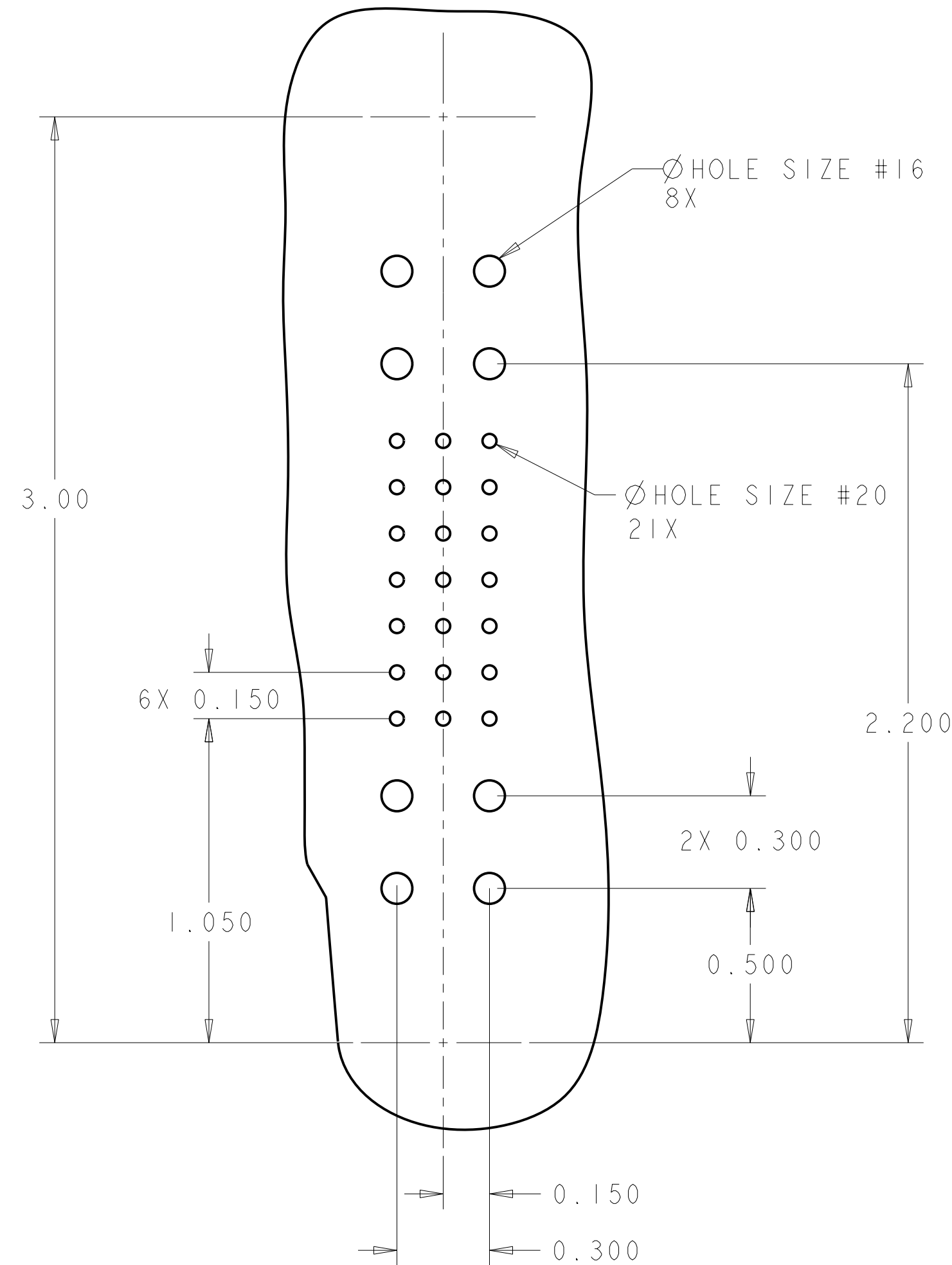
AS SHOWN	6643650-1
DESCRIPTION	PART NUMBER

<small>THIS DRAWING IS A CONTROLLED DOCUMENT FOR TYCO ELECTRONICS CORPORATION. IT IS SUBJECT TO CHANGE AND THE CONTROLLING ENGINEERING ORGANIZATION SHOULD BE CONTACTED FOR THE LATEST REVISION.</small>		DWN R. GRZYBOWSKI 18 JUNE 09 CHK D. ORRIS 18 JUNE 09 APVD M. FERCHERKE 18 JUNE 09	Tyco Electronics Harrisburg, PA 17105-3608
DIMENSIONS: INCHES 		PRODUCT SPEC 108-2285 APPLICATION SPEC 114-13206	NAME CONNECTOR ASSEMBLY PIN LOWER DRAWER
TOLERANCES UNLESS OTHERWISE SPECIFIED: 0 PLC ± 1 PLC ± 2 PLC ±.02 3 PLC ±.010 4 PLC ± ANGLES ±.5 FINISH		WEIGHT CUSTOMER DRAWING	SIZE A2 CAGE CODE 00779 DRAWING NO C-6643650 RESTRICTED TO
MATERIAL		SCALE 3:1 SHEET 1 OF 2 REV A	

ELCON LOWER DRAWER

THIS DRAWING IS UNPUBLISHED. RELEASED FOR PUBLICATION 20
 © COPYRIGHT 20 BY TYCO ELECTRONICS CORPORATION. ALL RIGHTS RESERVED.

LOC	DIST	REVISIONS					
GP	00	P	LTR	DESCRIPTION	DATE	DWN	APVD
		-		SEE SHEET 1			



- PART NUMBER CHANGES AND OR DESIGN CHANGES AFFECTING THE INTERCHANGEABILITY REQUIRE PRIOR TYCO ELECTRONICS APPROVAL AND AUTHORIZATION BY REVISION TO THIS DRAWING.
- MATERIAL:
 INSULATOR: THERMOPLASTIC, GLASS REINFORCED, UL 94V-0
 FLAMMABILITY RATED, COLOR: BLACK
 CONTACT: COPPER ALLOY
 RETENTION CLIP: BERYLLIUM COPPER OR STAINLESS STEEL
- FINISH:
 CONTACT SIZE #20 : GOLD .000030 MIN THK.
 OVER NICKEL .00040 MIN THK.
 CONTACT SIZE #16: SILVER PLATE .000200 MIN THK.
 OVER NICKEL .000050 MIN THK.

△ ITEMS PROVIDED TO THIS SPECIFICATION TO BE PERMANENTLY IDENTIFIED PER THE FOLLOWING IDENTIFIER:

TYCO ELECTRONICS P/N: XXXXXXXX-X
 DATE CODE (e.g. 0216): YEAR 11 WEEK 16
 XXXX

- △ SOLDER TAIL CONTACTS (ITEMS B THRU E) ARE INSERTABLE/NON-REMOVABLE.
 SIZE 20 (ITEM B) LOADED IN POSN. 5-10 AND 20-25
 SIZE 20 (ITEM C) LOADED IN POSN. 11-19
 SIZE 16 (ITEM D) LOADED IN POSN. 3,4 AND 26
 SIZE 16 (ITEM E) LOADED IN POSN. 1 AND 29

PRINTED CIRCUIT BOARD LAYOUT
 VIEW FROM CONNECTOR MOUNTING SIDE

HOLE SIZE #16:
 FINISHED HOLE: $\phi .070 \pm .003$
 DRILLED HOLE: $\phi .0765 \pm .0005$
 COPPER PLATE: .0010 MIN
 TIN PLATE: .00020 MIN

HOLE SIZE #20
 FINISHED HOLE: $\phi .047 \pm .003$
 DRILLED HOLE: $\phi .0453 \pm .0005$
 COPPER PLATE: .0010 MIN
 TIN PLATE: .00020 MIN

△5	2	1766223-1	CONTACT, PIN, #16, SOLDER TAIL, PRE-MATE	E
△5	3	1766222-1	CONTACT, PIN, #16, SOLDER TAIL, STD	D
△5	9	1650226-1	CONTACT, PIN, #20, SOLDER TAIL, POST MATE	C
△5	12	1650283-1	CONTACT, PIN, #20, SOLDER TAIL, STD	B
	1	1648204-2	HOUSING, PIN ASSY	A
	-1	PART NUMBER	DESCRIPTION	ITEM

THIS DRAWING IS A CONTROLLED DOCUMENT FOR TYCO ELECTRONICS CORPORATION IT IS SUBJECT TO CHANGE AND THE CONTROLLING ENGINEERING ORGANIZATION SHOULD BE CONTACTED FOR THE LATEST REVISION.		DWN: R. GRZYBOWSKI 18 JUNE 09 CHK: D. ORRIS 18 JUNE 09 APVD: M. FERCHERKE 18 JUNE 09	Tyco Electronics Harrisburg, PA 17105-3608
DIMENSIONS: INCHES 	TOLERANCES UNLESS OTHERWISE SPECIFIED: 0 PLC ± 1 PLC ± 2 PLC ±.02 3 PLC ±.010 4 PLC ± ANGLES ±.5 FINISH	PRODUCT SPEC: 108-2285 APPLICATION SPEC: 114-13206 WEIGHT: - CUSTOMER DRAWING	NAME: CONNECTOR ASSEMBLY PIN LOWER DRAWER SIZE: A2 CAGE CODE: 00779 DRAWING NO: 6643650 RESTRICTED TO: - SCALE: 3:1 SHEET 2 OF 2 REV A

ELCON LOWER DRAWER