

4

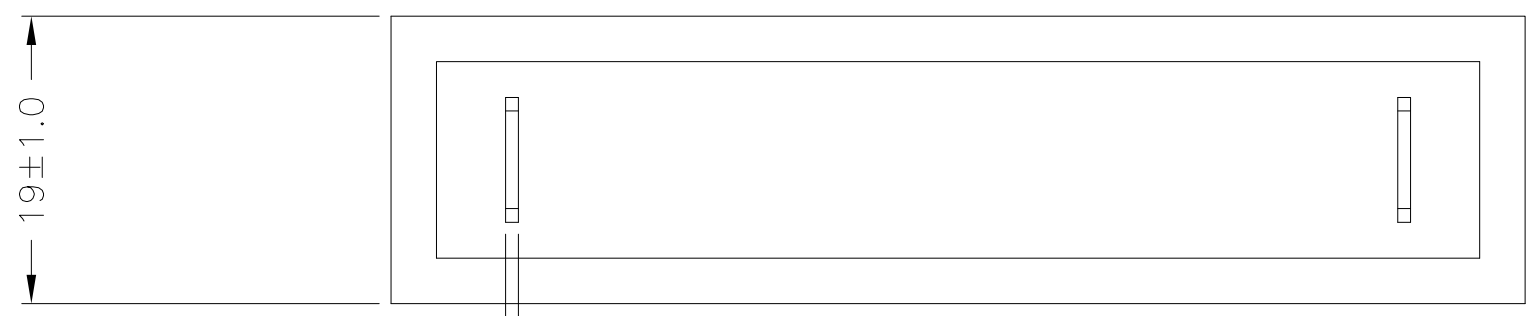
3

2

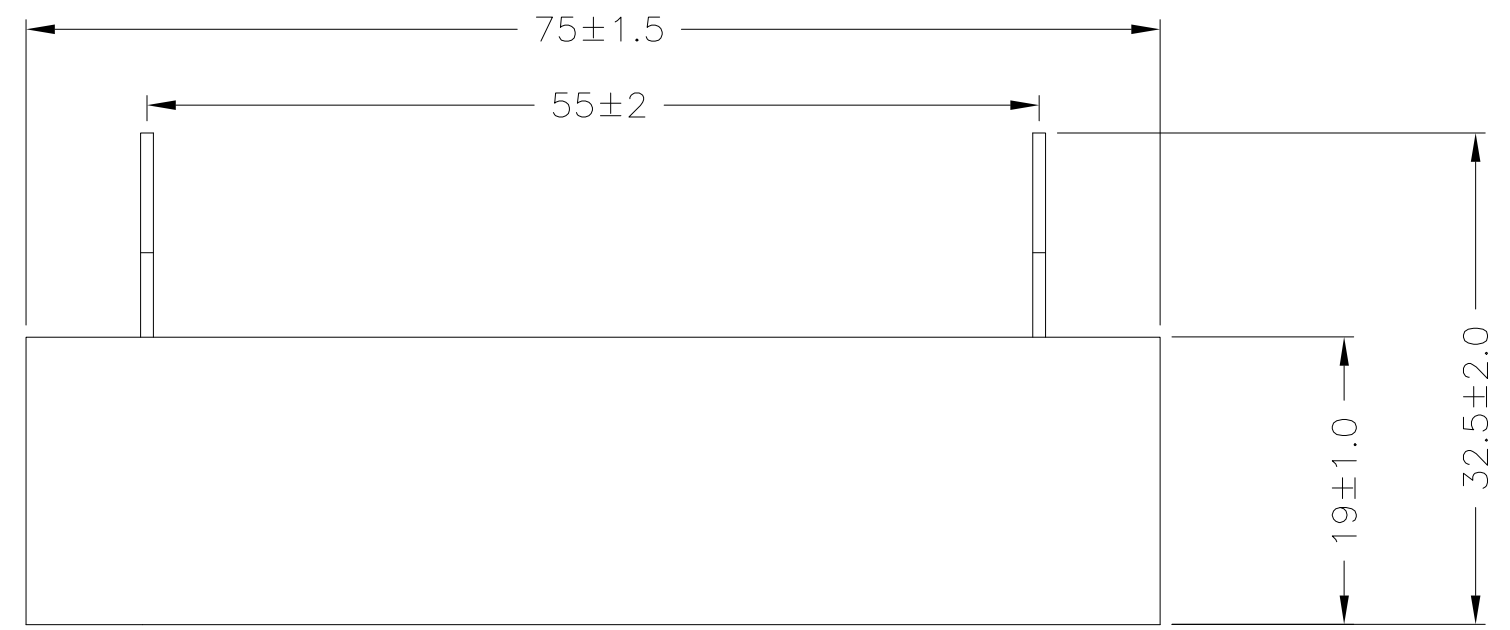
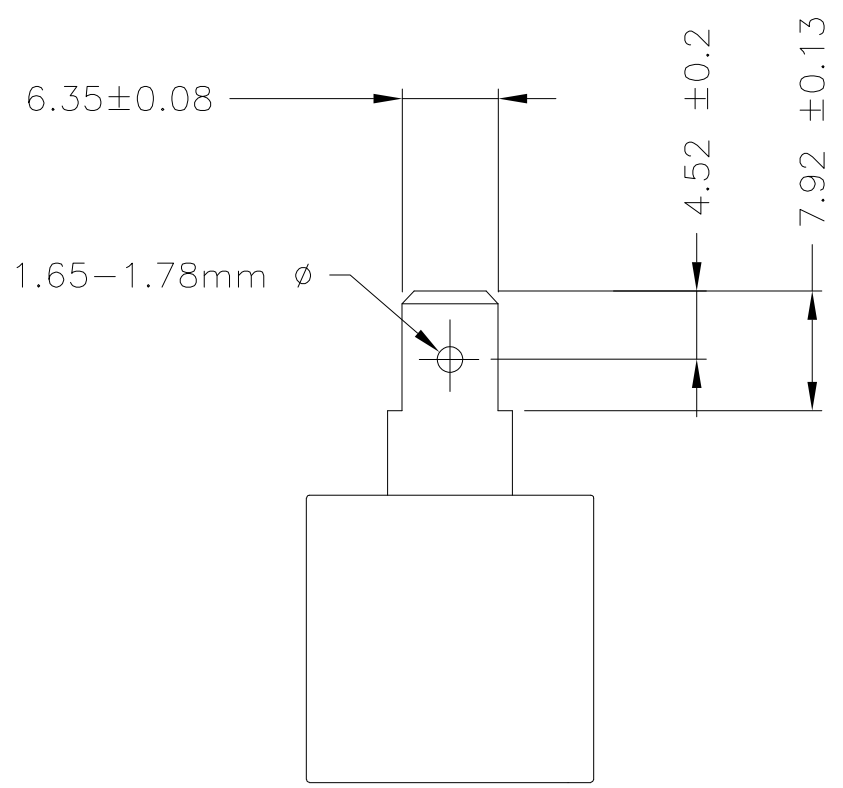
1

THIS DRAWING IS UNPUBLISHED. RELEASED FOR PUBLICATION JAN , 2007.
 © COPYRIGHT 2007 BY TYCO ELECTRONICS CORPORATION. ALL RIGHTS RESERVED.

LOC	DIST	REVISIONS			
P	LTR	DESCRIPTION	DATE	DWN	APVD
E	B	A	FIRST TE REVISION	02JUL07	CB CM
		B	REVISED PER ECR-09-021478	29SEP09	MRS CB



0.81 ±0.03



SEE DATA SHEET 1773442

"ALL DETAILS AS PER SQH30 WITH EXCEPTION OF TERMINALS AND CERAMIC CASE"

ITEM	TE PART No.	DESCRIPTION	DESCRIPTION
1	0-1879248-1	SQHW3010RJFASTON	SQH30 10R 5% 6.35mm FASTON

THIS DRAWING IS A CONTROLLED DOCUMENT.		DWN CHRIS BOLLE 02JUL07	Tyco Electronics Corporation Dorcan, Swindon, SN3 5HH	
DIMENSIONS: MM		CHK C MELBOURNE 02JUL07		
TOLERANCES UNLESS OTHERWISE SPECIFIED:		APVD C MELBOURNE 02JUL07	NAME HIGH POWER RESISTOR SQH30 10R 5% 6.35mm FASTON	
0 PLC ± 2 1 PLC ± 1 2 PLC ± - 3 PLC ± - 4 PLC ± - ANGLES ± 0.5		PRODUCT SPEC -	RESTRICTED TO -	
MATERIAL -		FINISH -	APPLICATION SPEC -	SIZE A3
		WEIGHT -	CAGE CODE 00779	DRAWING NO C-1879248
CUSTOMER DRAWING			SCALE 2:1	SHEET 1 OF 1
			REV B	