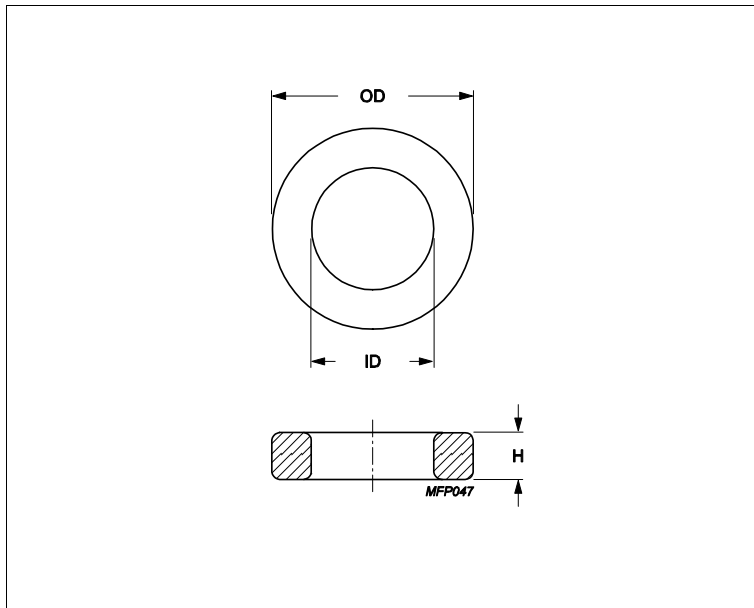


Core **Toroid 36/23/10**



Effective parameters			
	Parameter	Value	Unit
$\Sigma(I/A)$	core factor (C1)	1.38	mm ⁻¹
Ve	effective volume	5820	mm ³
Le	effective length	89.7	mm
Ae	effective area	64.9	mm ²
m	mass of core	≈ 27	g/pcs

Epoxy coating DC isolation voltage 2000.

Maximum operating temperature of the coating is 200°C.

Dimensions (mm)

Cores	OD	ID	H	
TX36/23/10	37.15 max	22.05 min	10.92 max	Epoxy Coated

Core data

Cores	Material	Al (nH/turns ²)	Al tolerance	$\mu\epsilon$
TX36/23/10	3C94	2060	± 25%	≈ 2300
TX36/23/10	3E10	8970	± 20%	≈ 10000
TX36/23/10	3E12	10800	± 30%	≈ 12000
TX36/23/10	3E27	4930	± 25%	≈ 5500
TX36/23/10	3E6 (3E10-M)	8970	± 30%	≈ 10000
TX36/23/10	3E65	4670	± 25%	≈ 5200