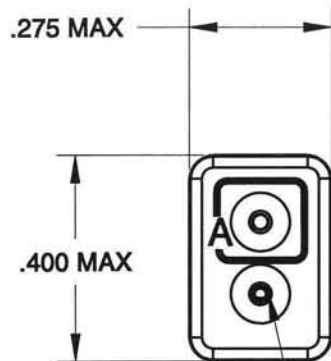
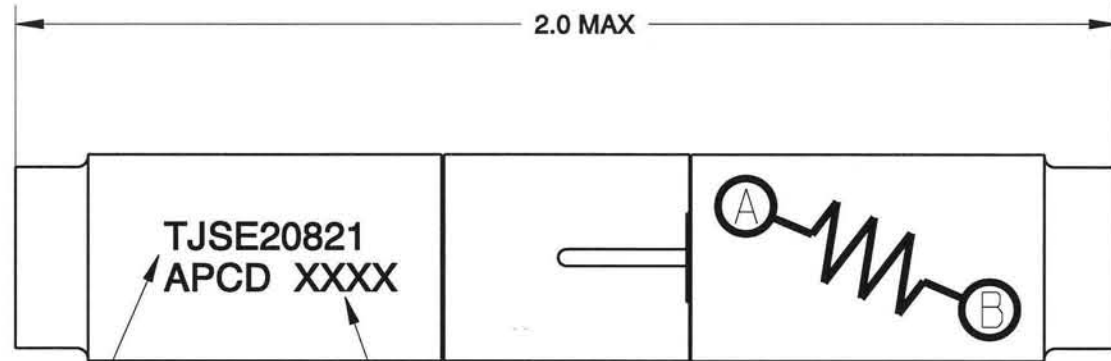


TJSE20821

REV	ECN	APP'D
1		

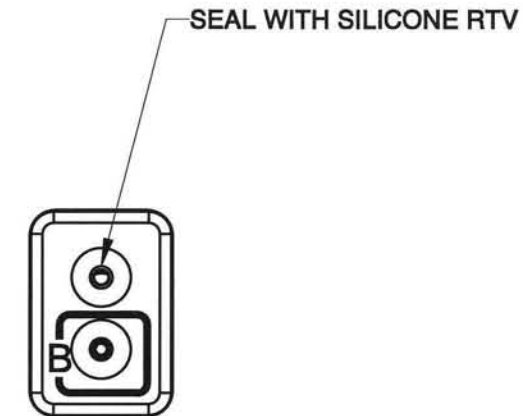


SEAL WITH SILICONE RTV



WHITE MARKING
.06 HT

DATE CODE



- NOTES:
- MATERIALS:
HOUSING: POLYETHERIMIDE, COLOR BLACK
GROMMET: SILICONE ELASTOMER, COLOR BLUE
INTERNAL CONTACT: COPPER ALLOY, GOLD PLATED,
PER MIL-G-45204, TYPE I, GRADE C, CLASS I.
CONTACT RETAINER: STAINLESS STEEL
 - SPLICE ACCEPTS (2) MATING M39029/1-101 CONTACTS (NOT INCLUDED)
 - PART COMPLIES TO ALL REQUIREMENTS PER MIL-T-81714.
 - RESISTOR: MIIL-PRF-39017, $1M\Omega$, $1/4W \pm 1\%$

TJSE20821

TJSE20821

DIMENSIONS ANSI Y14.5M UNITS: INCHES Pro/E FILE	TOLERANCES .XX ± 0.01 .XXX ± 0.005 ANGLES $\pm 2.0^\circ$	PROJECTION 	Amphenol Pcd SPECIFICATION DRAWING		TITLE WIRE SPLICE, ELECTRONIC RESISTOR, $1M\Omega$, $1/4W$ SIZE 20		
			DRWN D. LANG 05/08/06	SIZE B DWG NO. TJSE20821		ENGR	REV 1
ORIGINAL 	THIS DOCUMENT CONTAINS PROPRIETARY INFORMATION WHICH IS THE CONFIDENTIAL PROPERTY OF AMPHENOL PCD INC., PEABODY, MA		APPD	CODE: 58982	SCALE: 3:1	SHEET 1 OF 1	