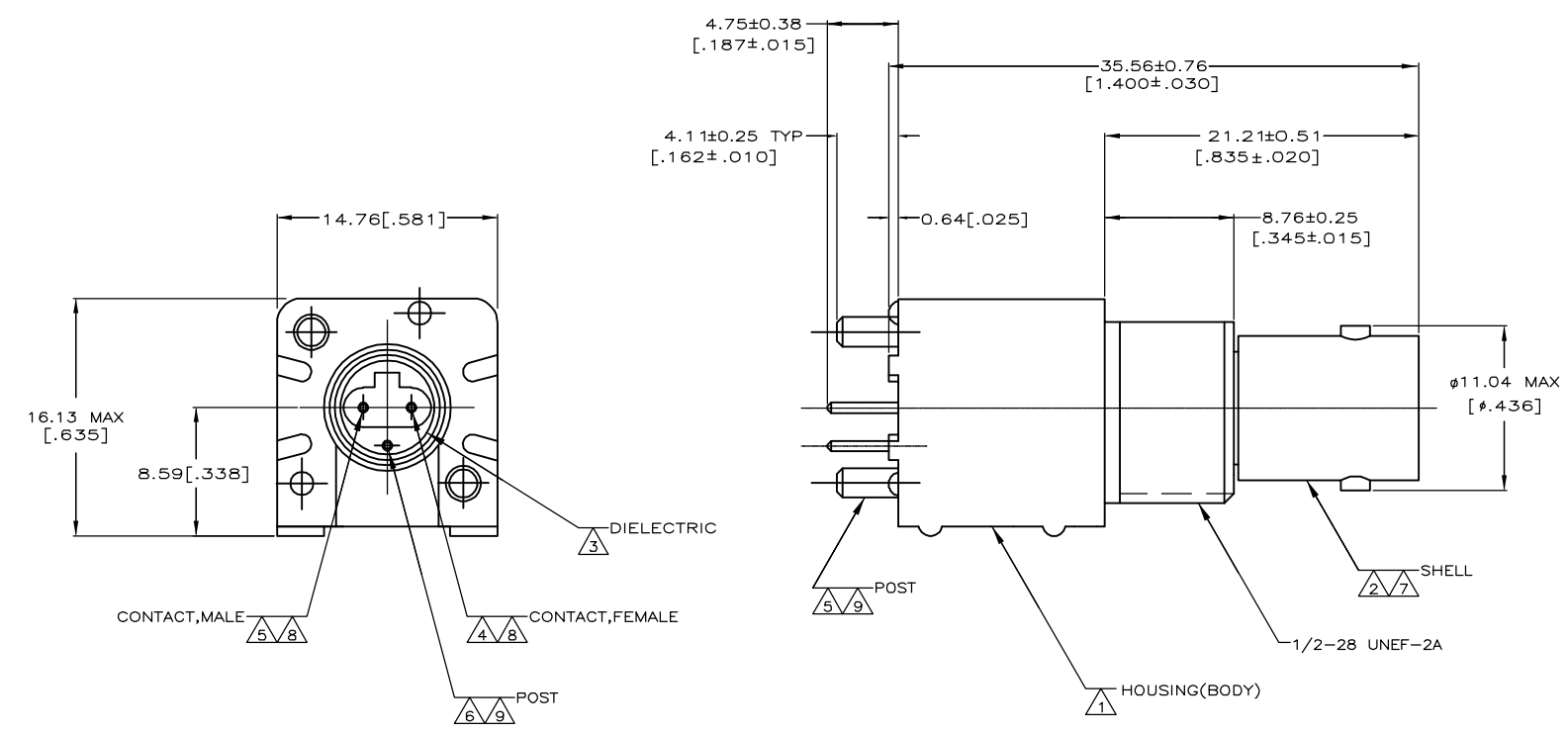
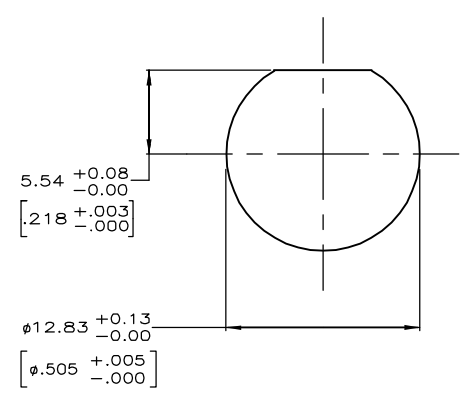
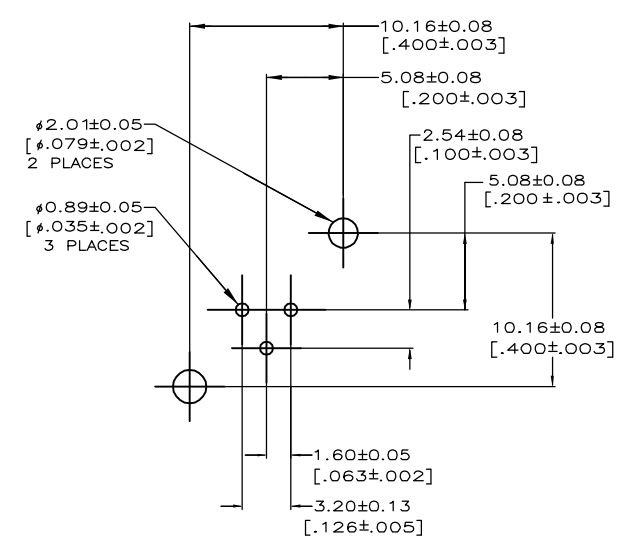


THIS DRAWING IS UNPUBLISHED. RELEASED FOR PUBLICATION  
 © COPYRIGHT BY TYCO ELECTRONICS CORPORATION. ALL RIGHTS RESERVED.

LOC	DIST	REVISIONS					
AJ	16	P	LTR	DESCRIPTION	DATE	DWN	APVD
			A	REVISED PER EC OS14-0150-05	30AUG05	BM	JL



- 1 POLYESTER, PBT, 15% GLASS FIBER REINFORCED, NATURAL, PER MIL-M-24519.
- 2 ZINC PER QQ-Z-363.
- 3 POLYMETHYLPENTENE, GENERAL PURPOSE.
- 4 PHOSPHOR BRONZE PER QQ-B-750.
- 5 BRASS PER QQ-B-626.
- 6 BRASS PER ASTM-B-453.
- 7 NICKEL PL PER QQ-N-290, 3.81μm [.000150] MINIMUM THICK
- 8 GOLD PL PER MIL-G-45204, 0.76μm [.000030] MINIMUM THICK
- 9 TIN PLATE PER ASTM-B-545, 3.81μm [.000150] MINIMUM THICK



RECOMMENDED PANEL CUTOUT

PCB CONFIGURATION

5221198-1  
 PART NUMBER

THIS DRAWING IS A CONTROLLED DOCUMENT.		DWN J. ALCORTA - DOCK5	21APR2005	Tyco Electronics Corporation Harrisburg, Pa 17105-3608			
DIMENSIONS: mm [INCHES]		CHK J. HAVENER	21APR2005				
TOLERANCES UNLESS OTHERWISE SPECIFIED:		APVD J. LIPPERT	21APR2005	NAME JACK, VERTICAL, PCB, SERIES TWIN BNC			
0 PLC ± - 1 PLC ± - 2 PLC ± 0.20 [.008] 3 PLC ± - 4 PLC ± - ANGLES ± -		PRODUCT SPEC -		APPLICATION SPEC -			
MATERIAL 1 2 3 4 5		FINISH 6 7 8 9		SIZE A3	CAGE CODE 00779	DRAWING NO C-5221198	RESTRICTED TO -
CUSTOMER DRAWING				SCALE 2:1	SHEET 1 OF 1	REV A	