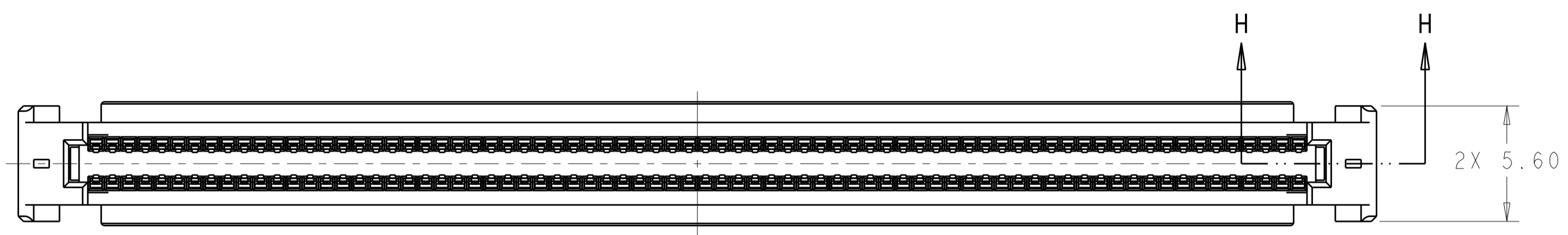
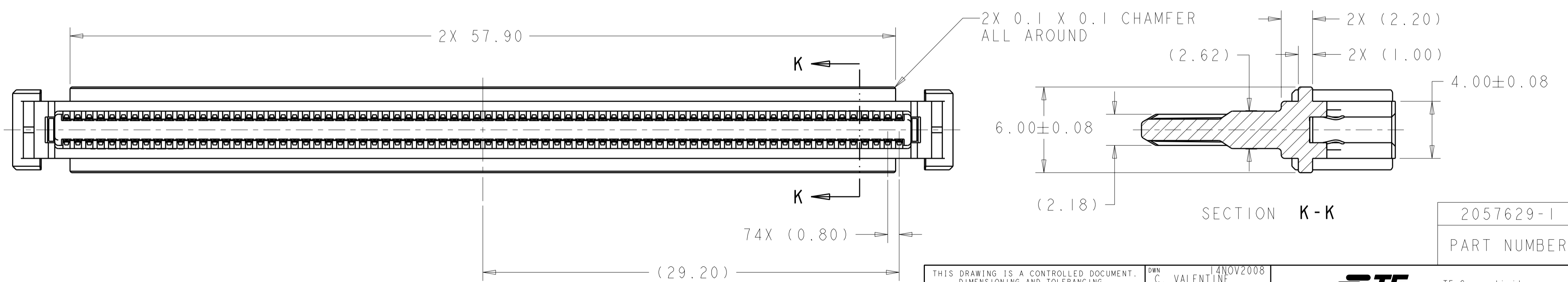
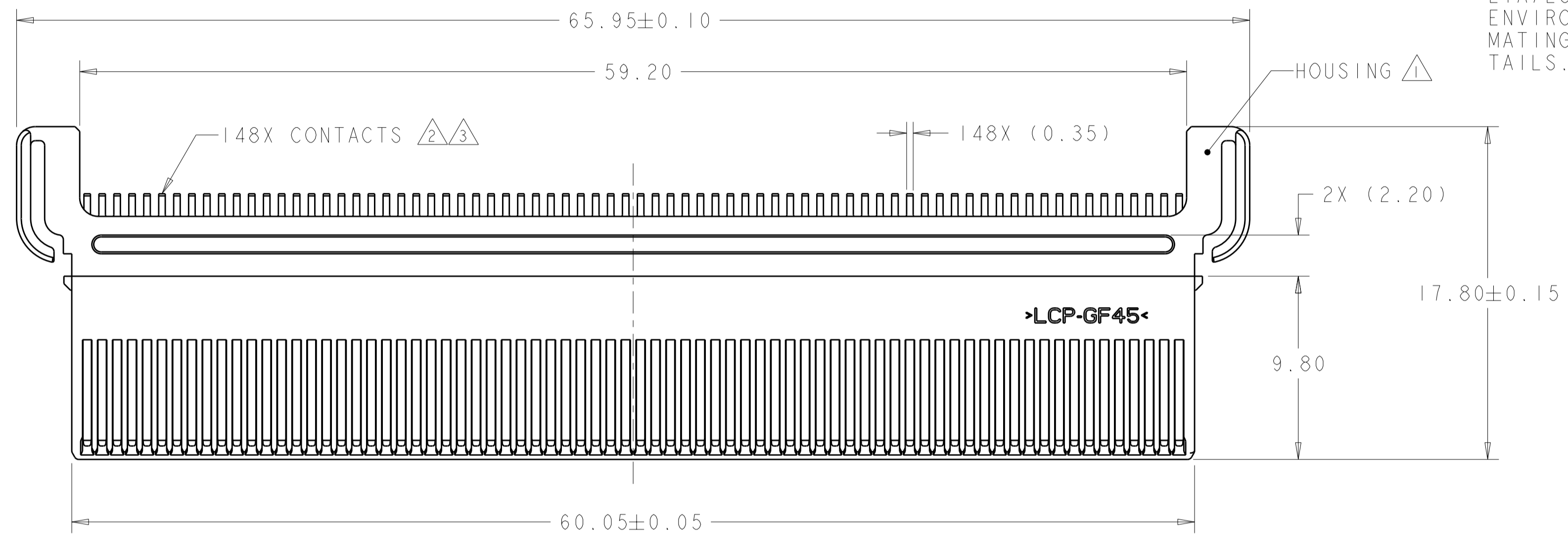


THIS DRAWING IS UNPUBLISHED. RELEASED FOR PUBLICATION 2008
 © COPYRIGHT 2008 BY - ALL RIGHTS RESERVED.

LOC	DIST	REVISIONS					
GP	00	P	LTR	DESCRIPTION	DATE	DWN	APVD
		A		RELEASED PER ECO-12-006362	11MAY2012	CJV	MRS



- ① HOUSING MATERIAL: POLYESTER LCP.
- ② CONTACT MATERIAL: COPPER ALLOY.
- ③ CONTACT FINISH: CONFORMS TO THE REQUIREMENTS OF TE CONNECTIVITY PRODUCT SPECIFICATION 108-2399. BASED ON EIA/ECA-364-1000.01A, (CONTROLLED ENVIRONMENT APPLICATIONS) ON MATING END, TIN PLATED ON SOLDER TAILS.

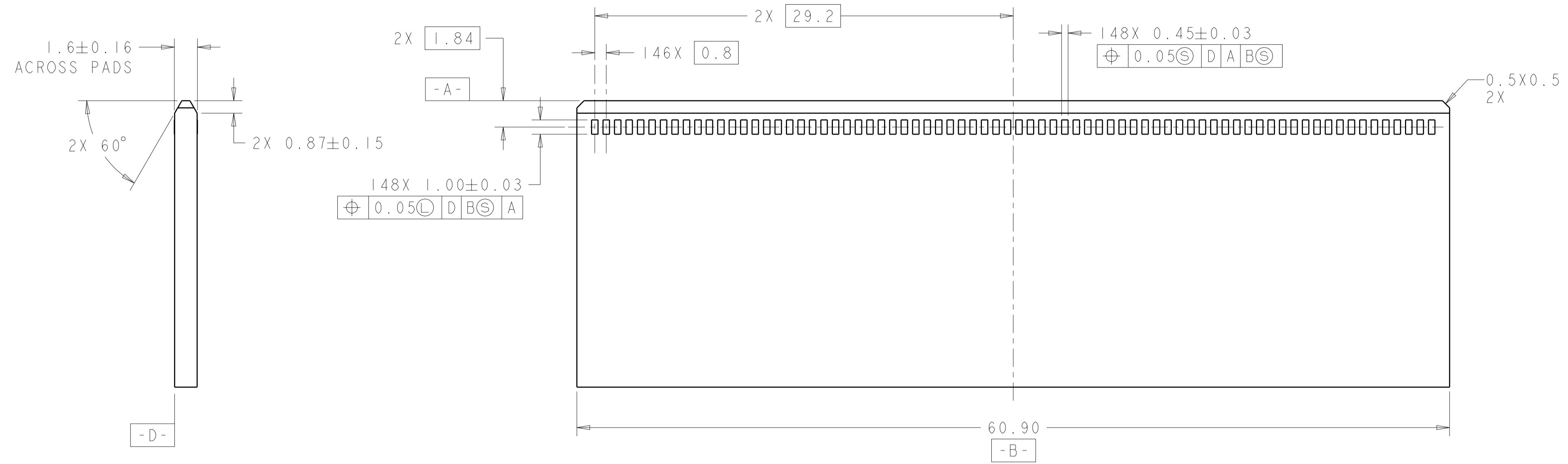


2057629-1
 PART NUMBER

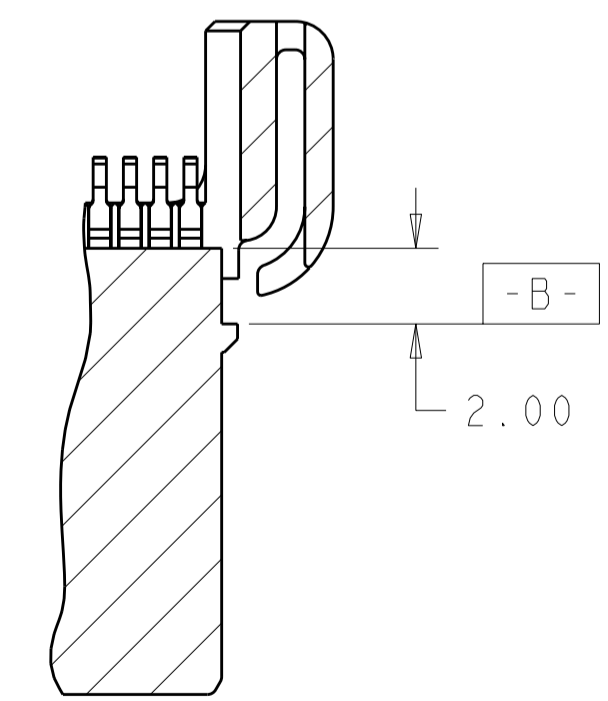
THIS DRAWING IS A CONTROLLED DOCUMENT. DIMENSIONING AND TOLERANCING PER ASME Y14.5M-2009		DWN C. VALENTINE 14NOV2008	TE Connectivity	
DIMENSIONS: mm		CHK E. BRIGHT 14NOV2008		
TOLERANCES UNLESS OTHERWISE SPECIFIED:		APVD E. BRIGHT 14NOV2008	NAME CONNECTOR ASSEMBLY, MODULE, 100 GIG PLUGGABLE	
0 PLC ±		PRODUCT SPEC 108-2399	RESTRICTED TO	
1 PLC ±		APPLICATION SPEC 114-13262	SIZE A2	CAGE CODE 00779
2 PLC ±0.10		WEIGHT -	DRAWING NO 2057629	REV A
3 PLC ±		CUSTOMER DRAWING	SCALE 5:1	SHEET 1 OF 2
4 PLC ±				
ANGLES ±				
FINISH ±				

THIS DRAWING IS UNPUBLISHED. RELEASED FOR PUBLICATION 2008
 © COPYRIGHT 2008 BY - ALL RIGHTS RESERVED.

LOC	DIST	REVISIONS			
P	LTR	DESCRIPTION	DATE	DWN	APVD
GP	00	-	SEE SHEET 1	-	-



REQUIRED MODULE PC BOARD DIMENSIONS



THIS DRAWING IS A CONTROLLED DOCUMENT. DIMENSIONING AND TOLERANCING PER ASME Y14.5M-2009		DWN C. VALENTINE 14NOV2008	TE Connectivity	
DIMENSIONS: mm		CHK E. BRIGHT 14NOV2008		
TOLERANCES UNLESS OTHERWISE SPECIFIED:		APVD E. BRIGHT 14NOV2008	NAME CONNECTOR ASSEMBLY, MODULE, 100 GIG PLUGGABLE	
0 PLC ±	1 PLC ±	PRODUCT SPEC 108-2399	SIZE A200779	CAGE CODE C-2057629
2 PLC ±0.10	3 PLC ±	APPLICATION SPEC 114-13262	DRAWING NO	RESTRICTED TO
4 PLC ±	ANGLES ±	WEIGHT		
FINISH		CUSTOMER DRAWING	SCALE 5:1	SHEET 2 OF 2 REV A