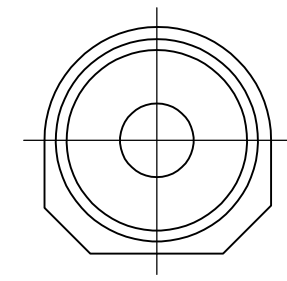
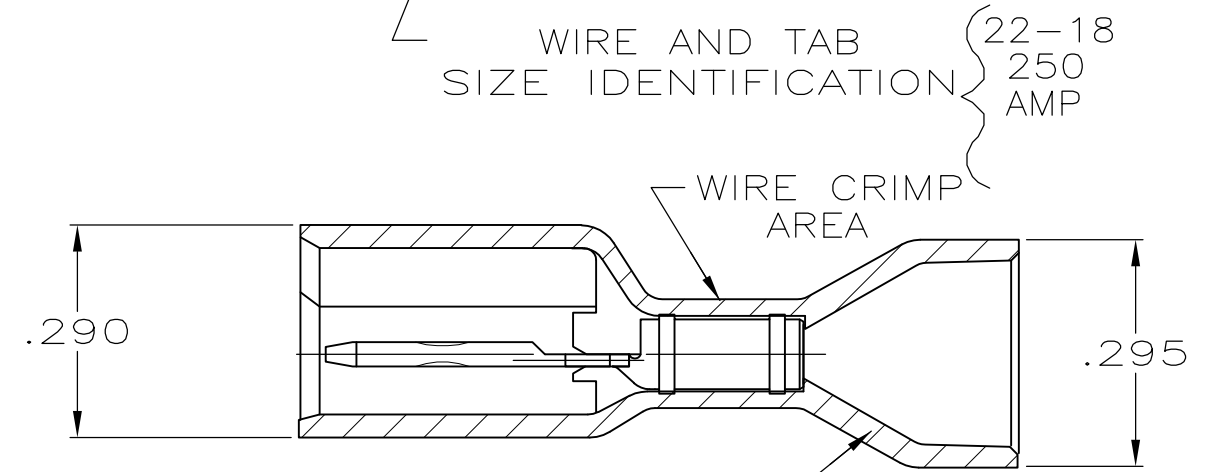
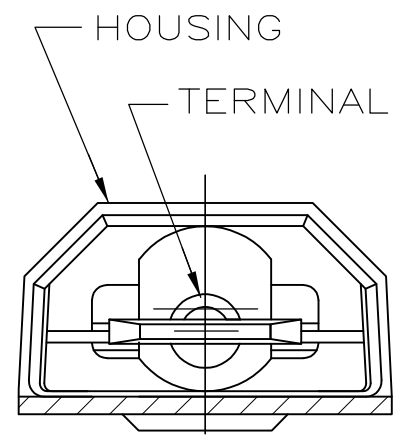
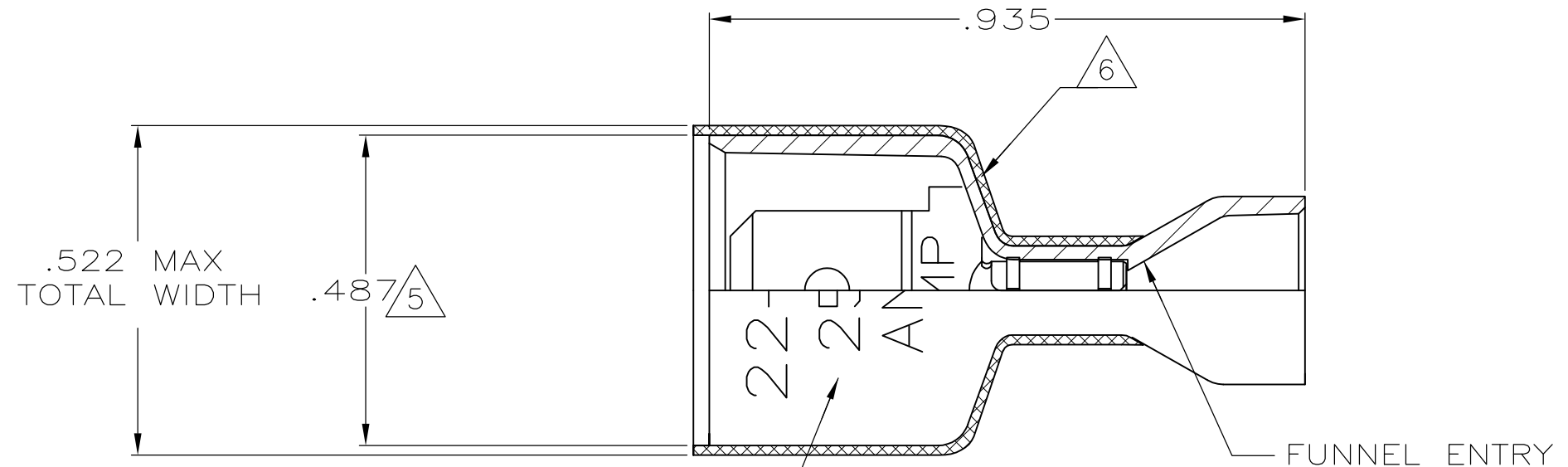


THIS DRAWING IS UNPUBLISHED. RELEASED FOR PUBLICATION
 © COPYRIGHT - By - ALL RIGHTS RESERVED.

LOC	DIST	REVISIONS			
P	LTR	DESCRIPTION	DATE	DWN	APVD
AF	50	B	REVISED PER ECR-12-005303	24JUL12	KH KR

- 1 TAB DIMENSIONS .032±.001x.250
- 2 WIRE STRIP LENGTH .281
- 3 INSULATION SIZE .230 MAX DIA
- 4 SUPPLIED IN LOOSE PIECE.
- △5 DIMENSION DOES NOT INCLUDE TRIM BURR
- △6 .015 MAX CARRIER TRIM BURR PER SIDE IS ALLOWABLE IN THE SHADED AREA



HOUSING: NYLON, COLOR-RED TRANSLUCENT TAB: #3 HARD BRASS, TIN	2-521192-2
MATERIAL & FINISH	PART NUMBER

THIS DRAWING IS A CONTROLLED DOCUMENT.		DWN JR RUTH 9FEB99	STE TE Connectivity		
DIMENSIONS: INCHES		CHK MS FEHER 9FEB99			
TOLERANCES UNLESS OTHERWISE SPECIFIED:		APVD J HUMMEL 9FEB99	NAME TAB ASSEMBLY, LID, ULTRA-FAST, LOOSE PIECE, .250 SERIES, 22-18 AWG		
0 PLC ± -		PRODUCT SPEC D. BRATINA 9FEB99	108-2017		
1 PLC ± -		APPLICATION SPEC	114-2123		
2 PLC ± -		WEIGHT	-		
3 PLC ± .015		SIZE	CAGE CODE	DRAWING NO	RESTRICTED TO
4 PLC ± -		A3 00779		C-521192	-
ANGLES ± -		CUSTOMER DRAWING			
MATERIAL SEE TABLE		FINISH SEE TABLE		SCALE 4:1	SHEET 1 OF 1
				REV B	