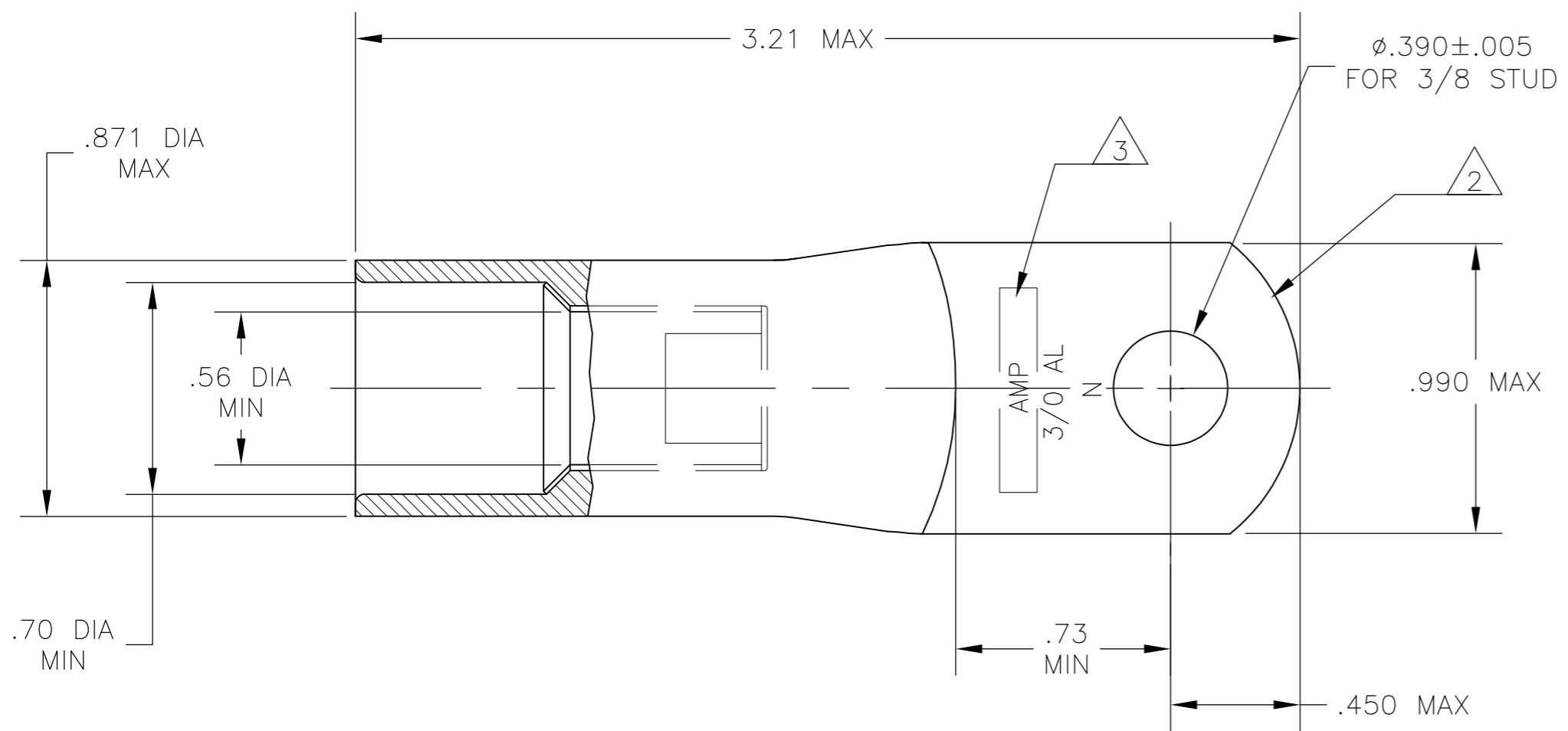
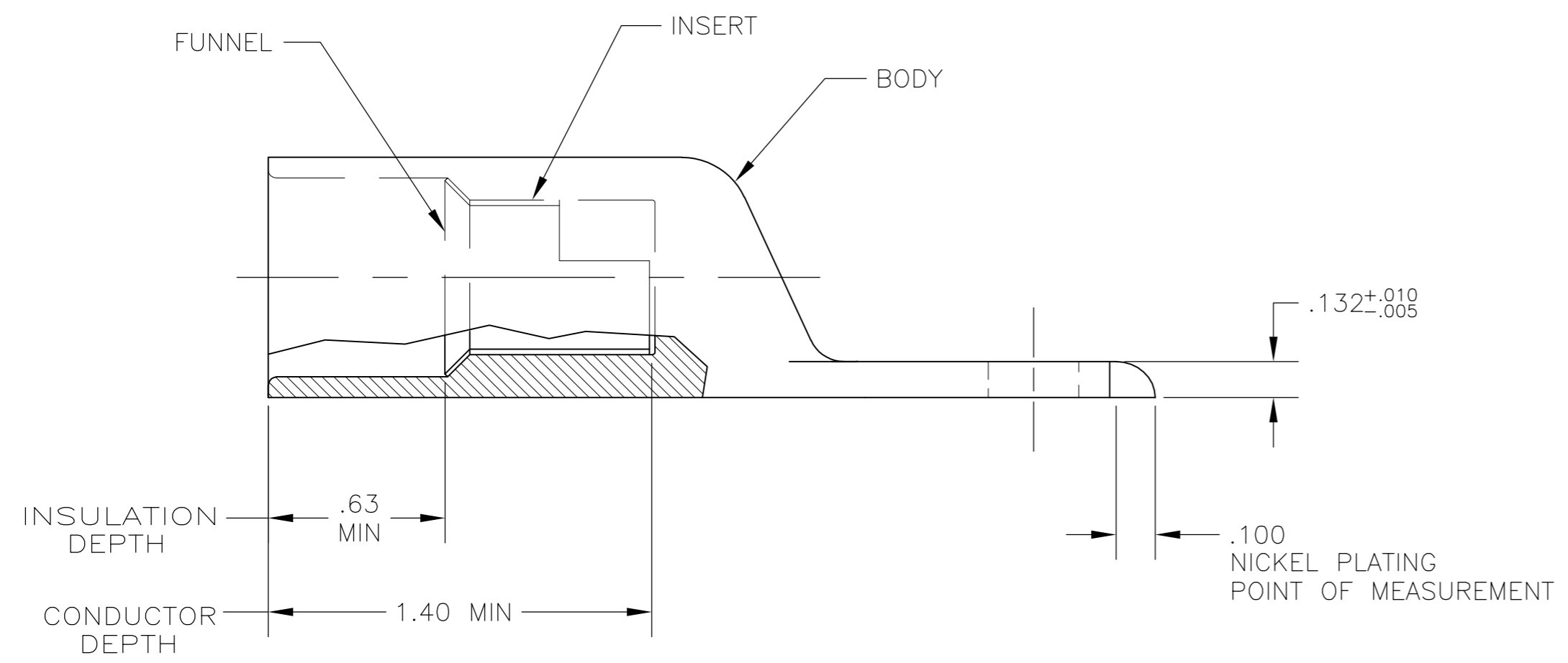


THIS DRAWING IS UNPUBLISHED. RELEASED FOR PUBLICATION  
 © COPYRIGHT - C ALL RIGHTS RESERVED.

| LOC |     | DIST                      |           | REVISIONS |      |  |  |
|-----|-----|---------------------------|-----------|-----------|------|--|--|
| P   | LTR | DESCRIPTION               | DATE      | DWN       | APVD |  |  |
|     | E   | REVISED PER ECO-16-009651 | 29JUL2016 | RS        | CT   |  |  |



- 1 WIRE INSULATION: .520-.633 DIA
- 2 THE TONGUE RADIUS FEATURE IS NOT A TOOLING CONTROLLED DIMENSION AND MAY NOT BE A TRUE RADIUS.
- 3 STAMP "AMP 3/0 AL N" SIZE AND LOCATION APPROX AS SHOWN



|  |           |
|--|-----------|
| INSERT & FUNNEL: BRASS MIL-C-50<br>NICKEL PL .000100 MIN THK PER QQ-N-290<br><br>BODY: COPPER ASTM-B187 ANNEALED<br>NICKEL PL .000300 MIN THK PER QQ-N-290 | 1958091-1 |
| MATERIAL & FINISH  | PART NO.  |

|  |  |              |           |         |  |       |            |           |               |   |
|--|--|--------------|-----------|---------|--|-------|------------|-----------|---------------|---|
| THIS DRAWING IS A CONTROLLED DOCUMENT.   |  | DWN          | JR RUTH   | 23FEB07 | TE Connectivity  |       |            |           |               |   |
| DIMENSIONS: INCHES   |  | CHK          | J KNOLL   | 23FEB07 |  |       |            |           |               |   |
| TOLERANCES UNLESS OTHERWISE SPECIFIED:   |  | APVD         | J KNOLL   | 23FEB07 |  |       |            |           |               |   |
| 0 PLC ± -<br>1 PLC ± -<br>2 PLC ± -<br>3 PLC ± .008<br>4 PLC ± -<br>ANGLES ± - |  | PRODUCT SPEC | NAME      |         |  |       |            |           |               |   |
| MATERIAL SEE TABLE   |  | FINISH       | SEE TABLE |         | WIRE TERMINAL, RING TONGUE,<br>SEALED COPALUM, HIGH TEMP,<br>WIRE SIZE: 3/0 ALUMINUM |       |            |           |               |   |
| WEIGHT   |  | 103 ± 5 g    | SIZE      | A2      | CAGE CODE  | 00779 | DRAWING NO | C=1958091 | RESTRICTED TO | - |
| CUSTOMER DRAWING   |  | SCALE        | 2:1       | SHEET   | 1 of 1   | REV   | E          |           |               |   |