

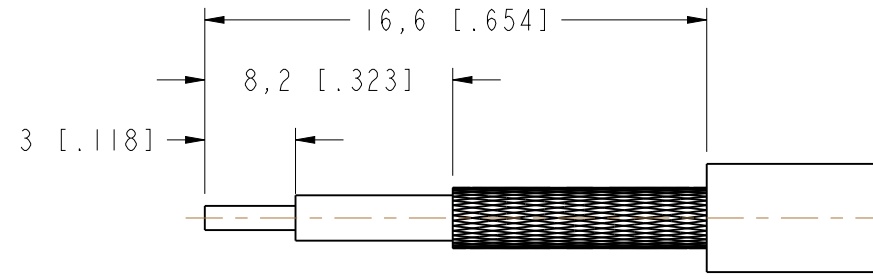
NOTES:

- MATERIALS AND FINISHES:
 BODY - BRASS, NICKEL PLATING
 CONTACT - BRASS, GOLD PLATING
 INSULATOR - DELRIN
- ELECTRICAL:
 A. IMPEDANCE: 50 OHM
- MECHANICAL:
 A. DURABILITY: 500 CYCLES MIN.
 B. TEMPERATURE RANGE: -65° C TO +165° C
- USE AMPHENOL RF CRIMP TOOL #CTL-2

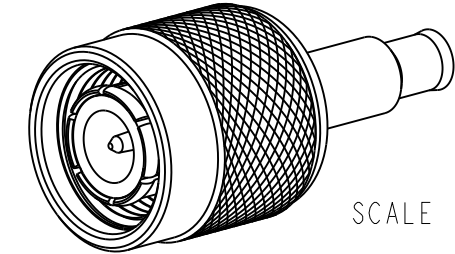
THIRD ANGLE PROJ.

REVISIONS

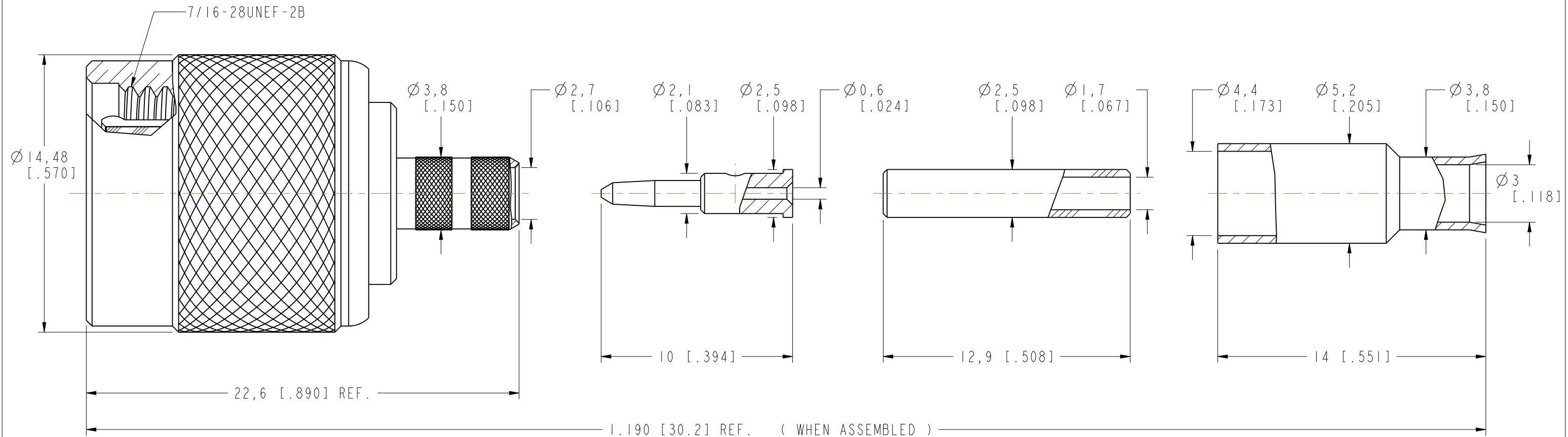
REV	DESCRIPTION	DATE	ECO	APPR
A	OFFICIAL ENG.RELEASE TO MFG.	02-Oct-91	38063	DR
D	RE-DRAWN WITH GLOBAL FORMAT, [16.6] WAS: [15.0]	06-Sep-13	49726	RM/HP



RECOMMENDED
CABLE STRIPPING DIM'S



SCALE 2.000



CUSTOMER OUTLINE DRAWING

ALL OTHER SHEETS ARE FOR INTERNAL USE ONLY

UNLESS OTHERWISE SPECIFIED, DIMENSIONS ARE IN METRIC AND TOLERANCES ARE:
 <0.5mm ±0.05mm 0.5 - 6mm ±0.1mm 6 - 30mm ±0.2mm 30 - 120mm ±0.3mm ANGLES ±1°

NOTICE - These drawings, specifications, or other data (1) are, and remain the property of Amphenol corp. (2) must be returned upon request; and (3) are confidential and not to be disclosed to any person other than those to whom they are given by Amphenol Corp. the furnishing of these drawings, specifications, or other data by Amphenol Corp., or to any other person to anyone for any purpose is not to be regarded by implication or otherwise in any manner licensing, granting rights to permitting such holder or any other person to manufacture, use or sell any product, process or design, patented or otherwise, that may in any way be related to or disclosed by said drawings, specifications, or other data.

MATERIAL	
REFERENCE AND CONFIGURATION LEVEL:	
FINISH	

DRAWN T. ALBERA	DATE 22-Apr-91
ENGINEER D. ROYCE	DATE 13-Sep-91
APPROVED H. PARIKH	DATE 06-Sep-13
CAD FILE	

TITLE TNC CRIMP PLUG FOR RG-174, 188, & 316 CABLE, 50 OHM	
SCALE: 5.0:1.0	SHEET 2 OF 2
DWG SIZE B	REV D

Amphenol RF www.amphenolrf.com	
DRAWING NO. T1121E1-ND3G-316U-50	
ITEM NO. 021121AAG36ND5F	
PART NO. 31-2315-RFX	