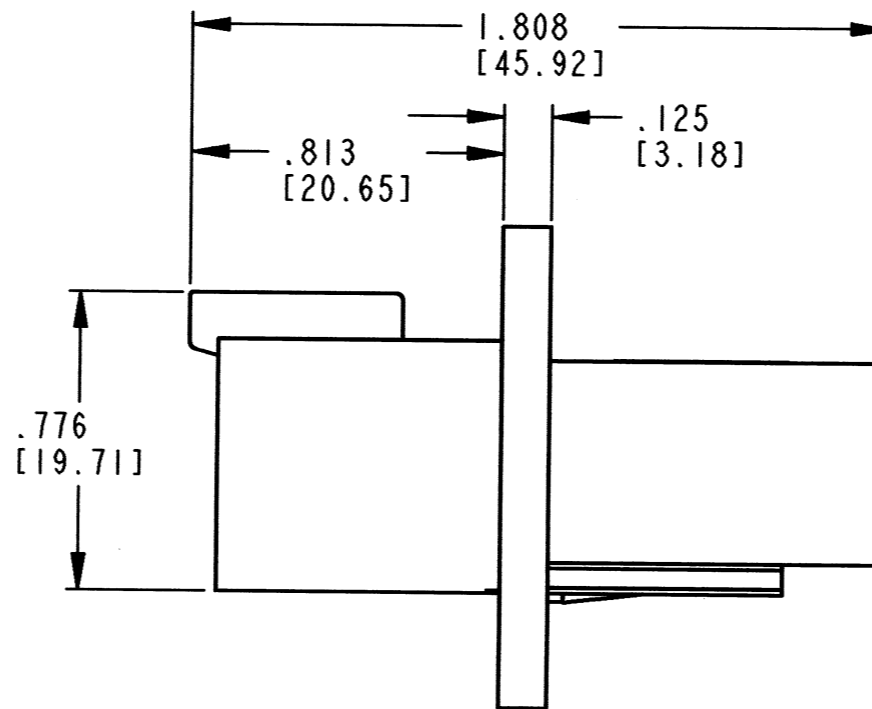
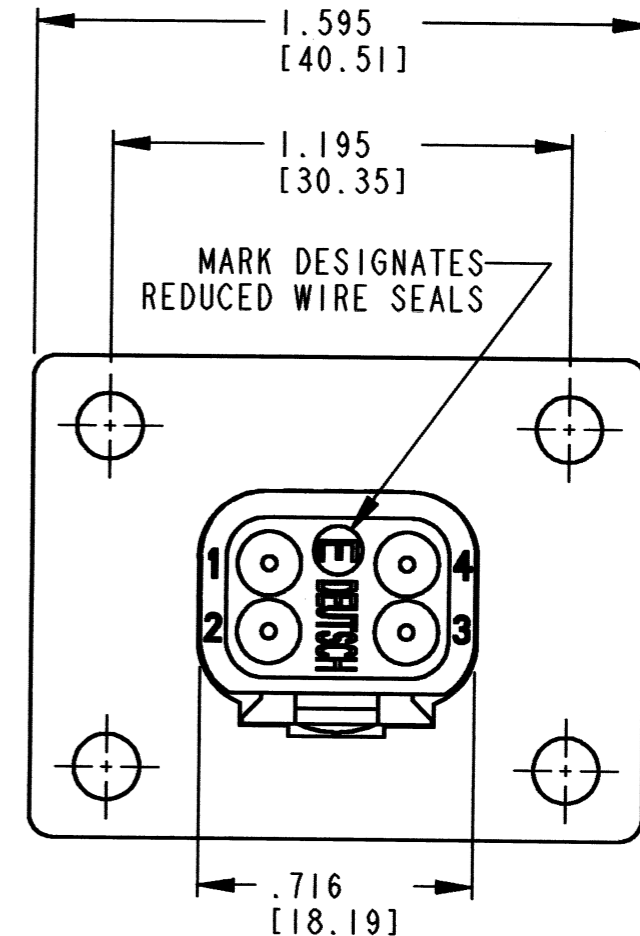


DATE CODE:
 MONTH IS REPRESENTED BY SEQUENTIAL ALPHA CHARACTERS. EX: A = JANUARY
 YEAR IS REPRESENTED BY LAST NUMERIC DIGIT. EX: 0 = 2010



REVISIONS			
SYM	DESCRIPTION	DATE	APPROVED
NC	NEW RELEASE PER E.O. P19525	5/17/07	R.D.R.
A	REVISED PER E.O. P20483	5-28-10	AdP



CONTACT SIZE	MIN. INSUL O.D.	MAX. INSUL O.D.	WIRE RANGE [mm ²]
16	.053 [1.35]	.120 [3.05]	14-20 AWG [2.0-0.5]

- SHELL MATERIAL: PLASTIC; COLOR: GREY
SEAL MATERIAL: RUBBER
- DIMENSIONS ARE ±.025[0.63] UNLESS OTHERWISE SPECIFIED.
- THIS RECEPTACLE MATES WITH THE DT06-4S-**** PLUG (**** = ALL MODIFICATIONS). CONSULT FACTORY FOR MODIFICATIONS.
- FOR CONTACTS AND WIRE PERFORMANCE AND APPLICATION CHARACTERISTICS SEE ENVELOPE DRAWING 0425-015-0000 AND 0425-017-0000.

NOTES: 1. DIMENSIONS ARE IN INCHES [MILLIMETERS].

SIGNATURE & DATE	
DR	A. MALAGON 20APR07
CHK	<i>[Signature]</i> 5/27/10
PE	<i>[Signature]</i> 5/10/10
APPD	<i>[Signature]</i> 5-26-10
SCALE	NONE WT

4 WAY RECEPTACLE
 REDUCED WIRE SEALS
 & FLANGE MOUNT
 -CL03 MOD.
 DT SERIES

ENVELOPE

EP	MATL. CODE
3850 INDUSTRIAL AVE. HEMET, CA 92545	
B DT04-4P-CL03	
DWG SIZE	CODE 11139 SHEET OF