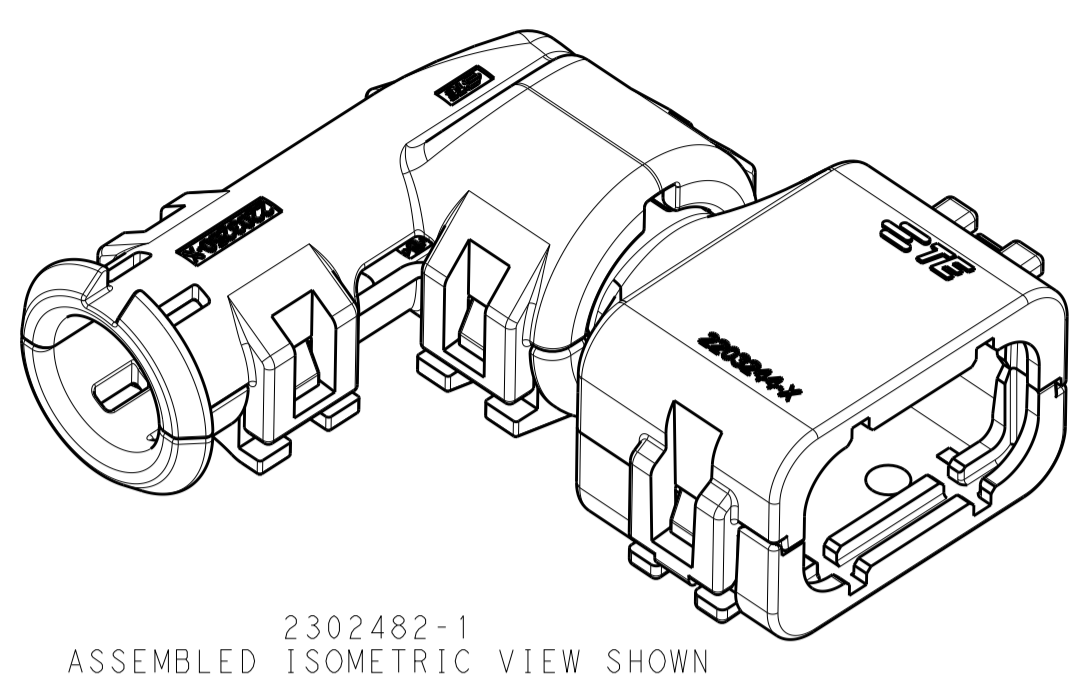
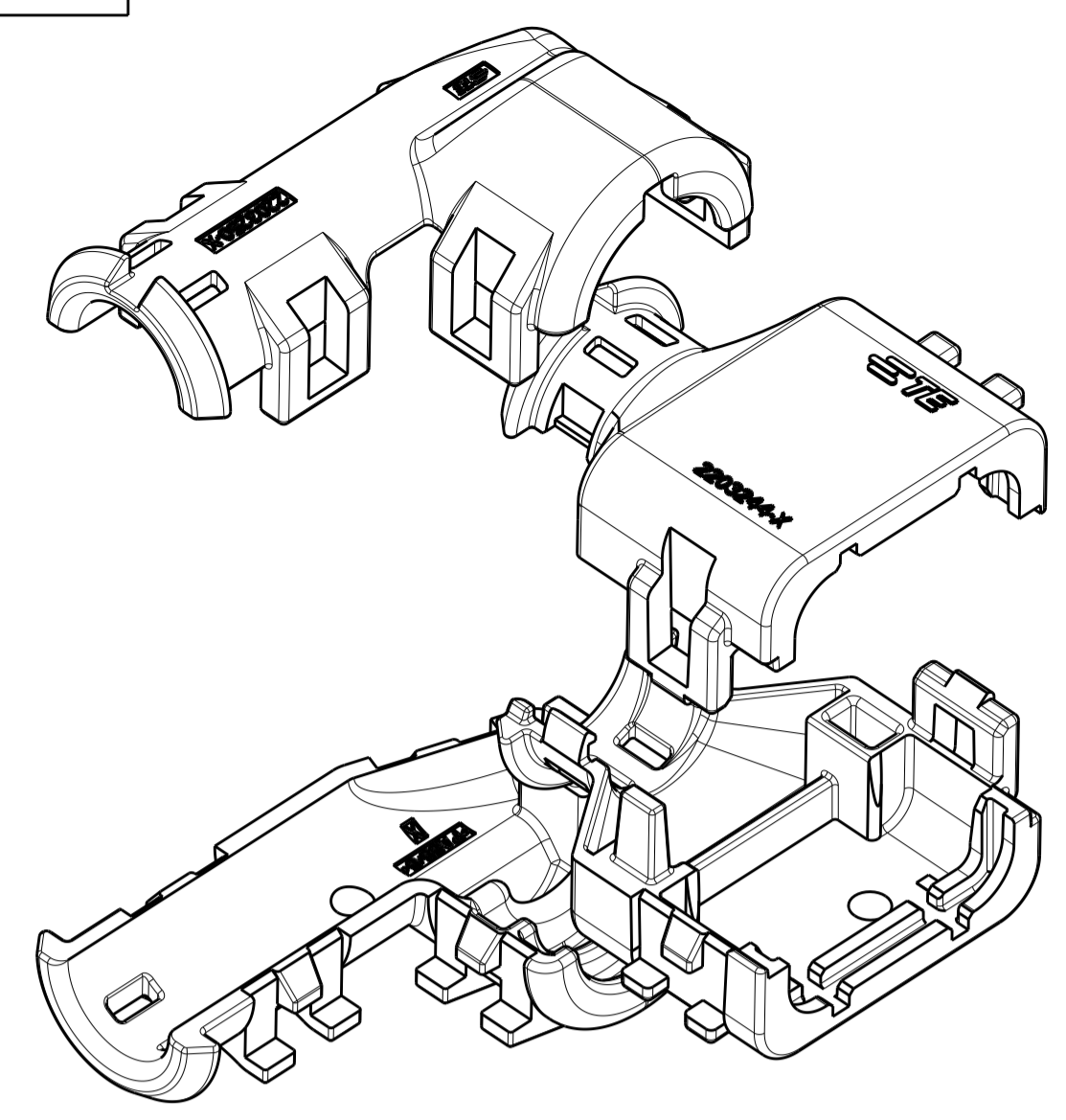


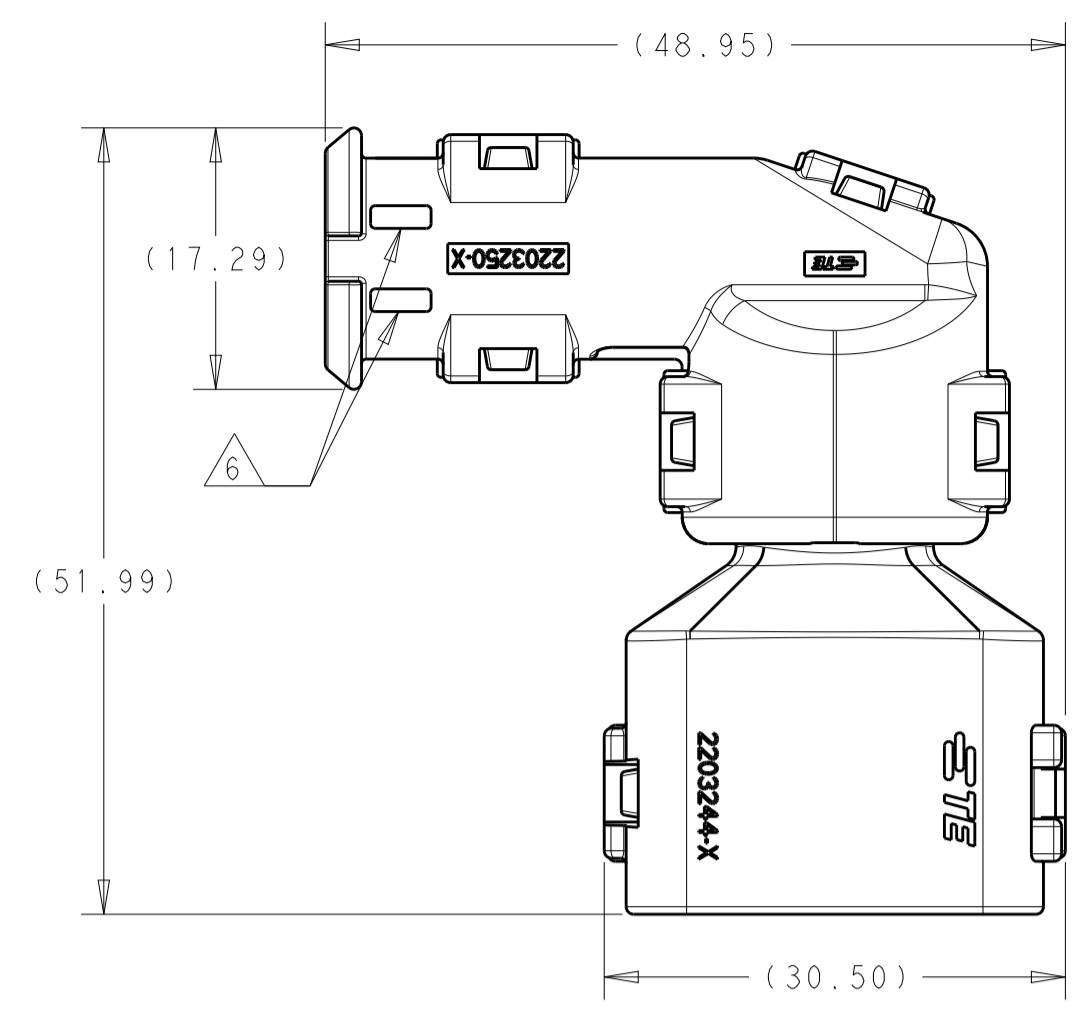
| REVISIONS | | | | |
|-----------|-----|----------------------------|-----------|-------|
| P | LTN | DESCRIPTION | DATE | APVD |
| A | | RELEASED PER ECO-16-007279 | 12MAY2016 | JM RB |
| A2 | | REV PER ECO-16-013256 | 08SEP2016 | JM RB |



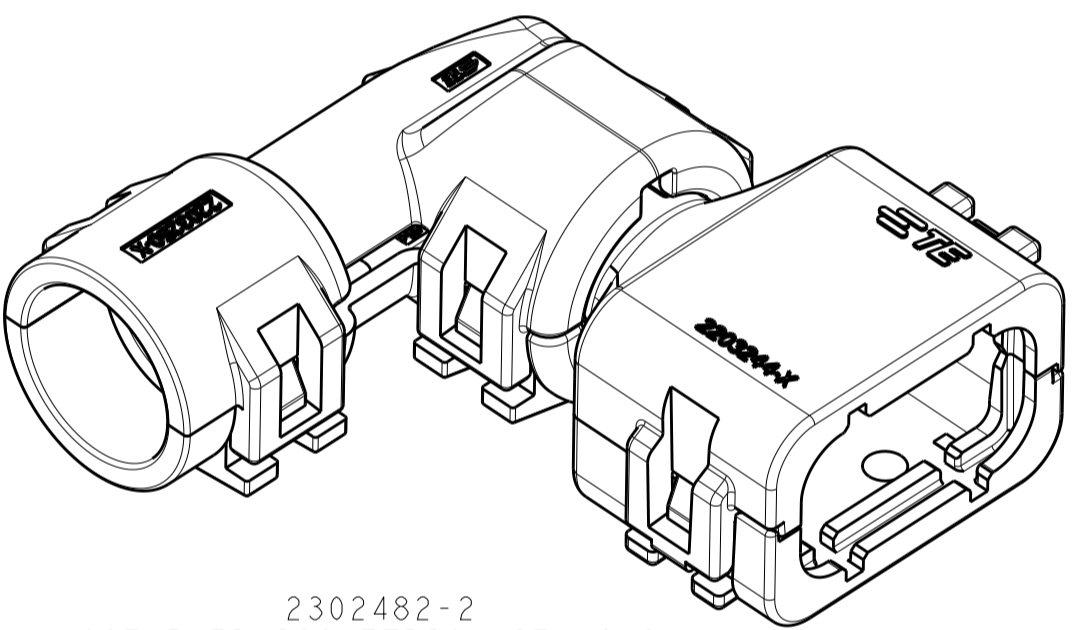
2302482-1
ASSEMBLED ISOMETRIC VIEW SHOWN



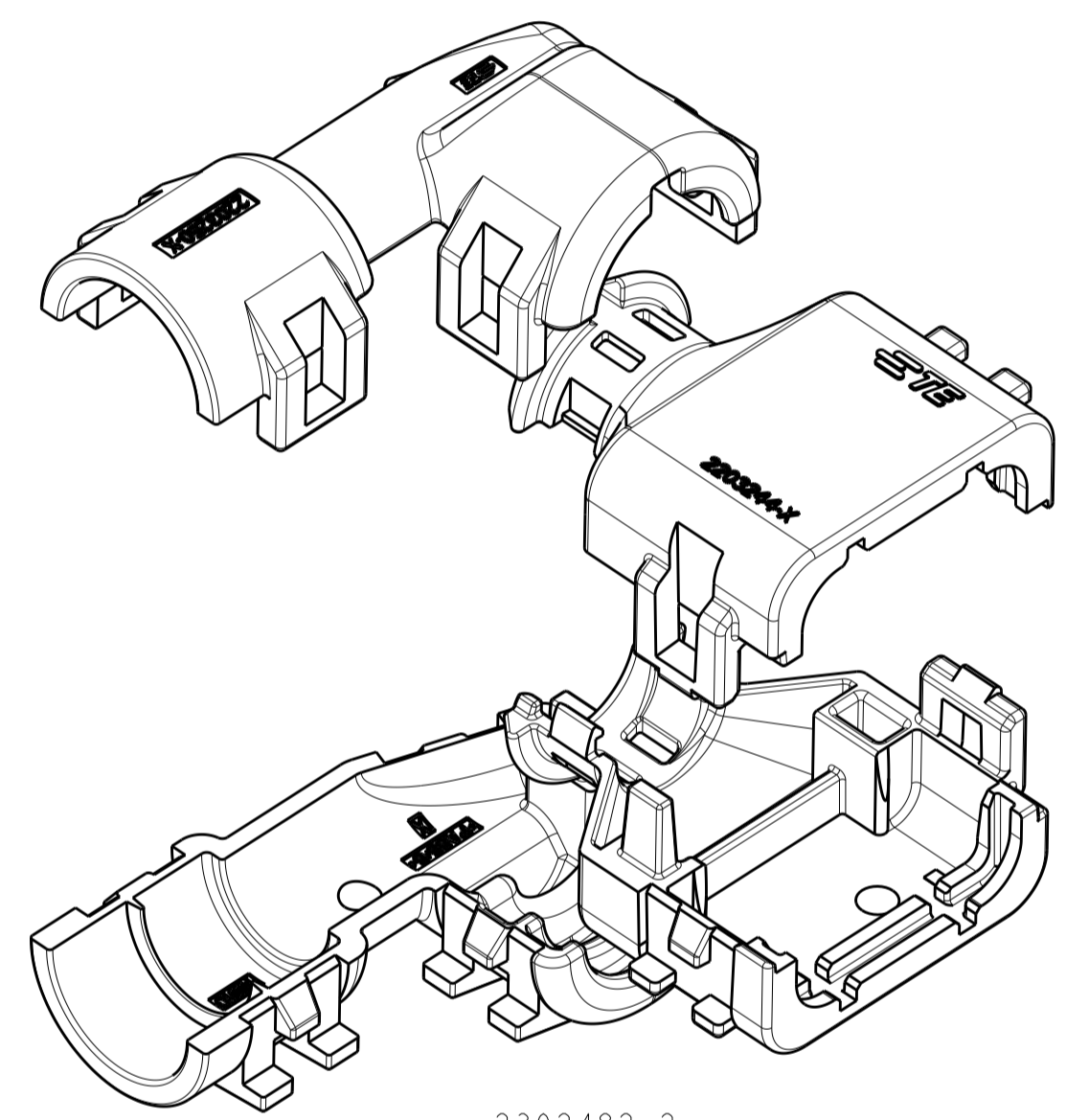
2302482-1
EXPLODED ISOMETRIC VIEW SHOWN
 2 3



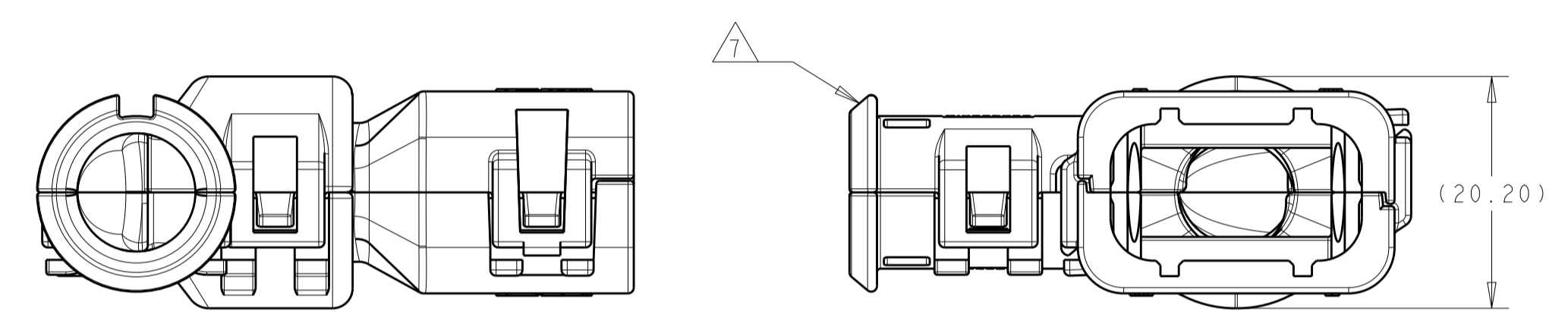
- 1 MATERIAL: NYLON MOLDING COMPOUND, BLACK, PA66/6.
- 2 BACKSHELL DESIGNED SUCH THAT TWO HALVES ATTACH TO ONE ANOTHER AND CLAMP AROUND THE CONNECTOR COVER.
- 3 ELBOW DESIGNED SUCH THAT TWO HALVES ATTACH TO ONE ANOTHER AND CLAMP AROUND THE BACKSHELL COLLAR.
- 4 DIMENSIONS TO BE MEASURED WHEN ELBOWS AND BACKSHELLS ASSEMBLED.
- 5 PRODUCT WEIGHTS:
 2302482-1: 10.10g ASSEMBLED
 2302482-2: 10.75g ASSEMBLED
 2302482-3: 10.20g ASSEMBLED
- 6 4mm WIDE SLOTS FOR TIE WRAP TO SECURE HARNESS WIRES (-1 ONLY).
- 7 HEAT SHRINK TUBING FEATURE (-1 AND -3 ONLY).
- 8. INSTRUCTION SHEET: 408-151043.
- 9. CONDUIT PROFILE: NORMAL ONLY.



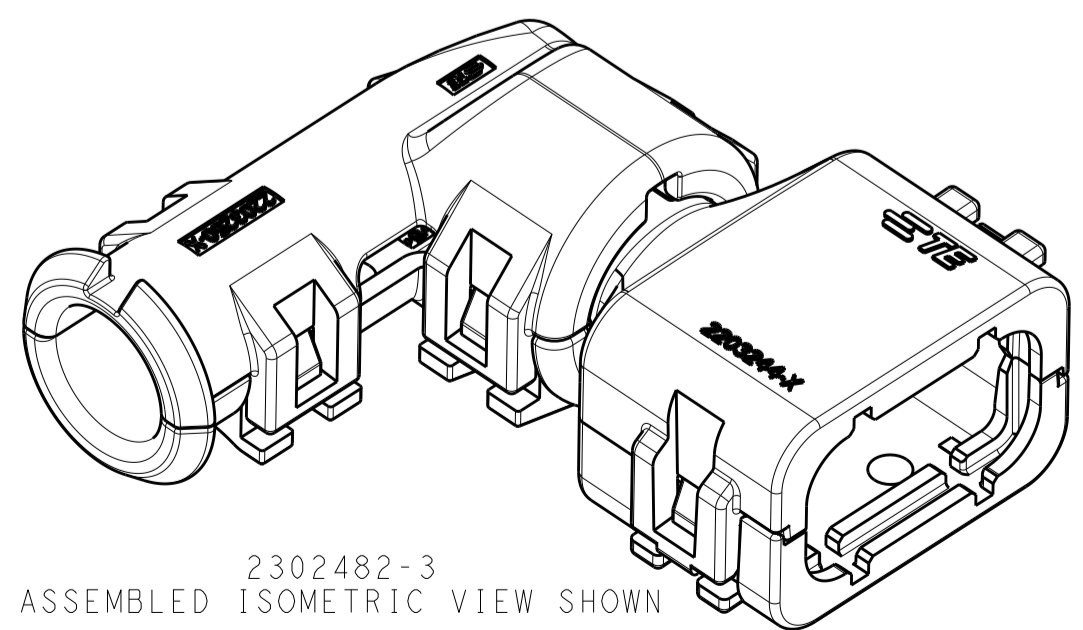
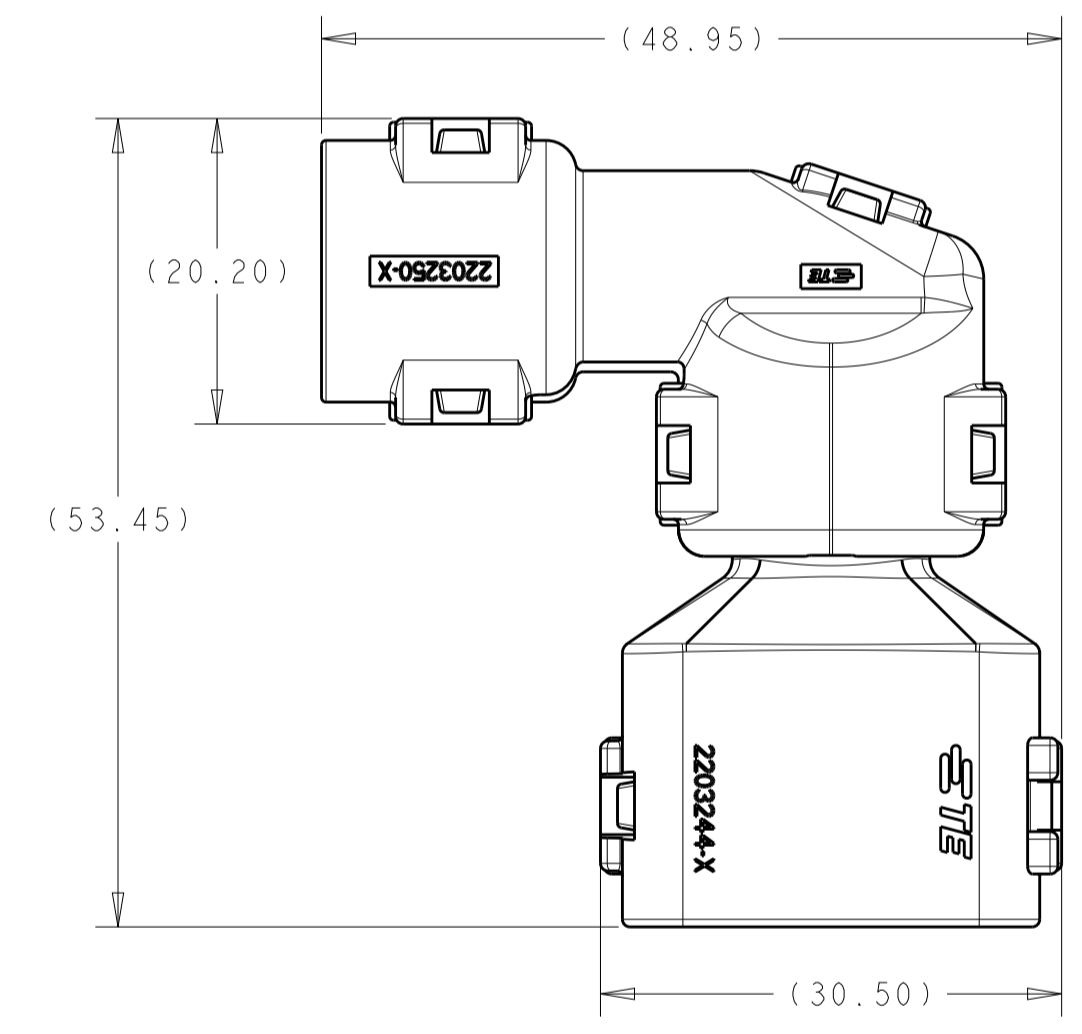
2302482-2
ASSEMBLED ISOMETRIC VIEW SHOWN



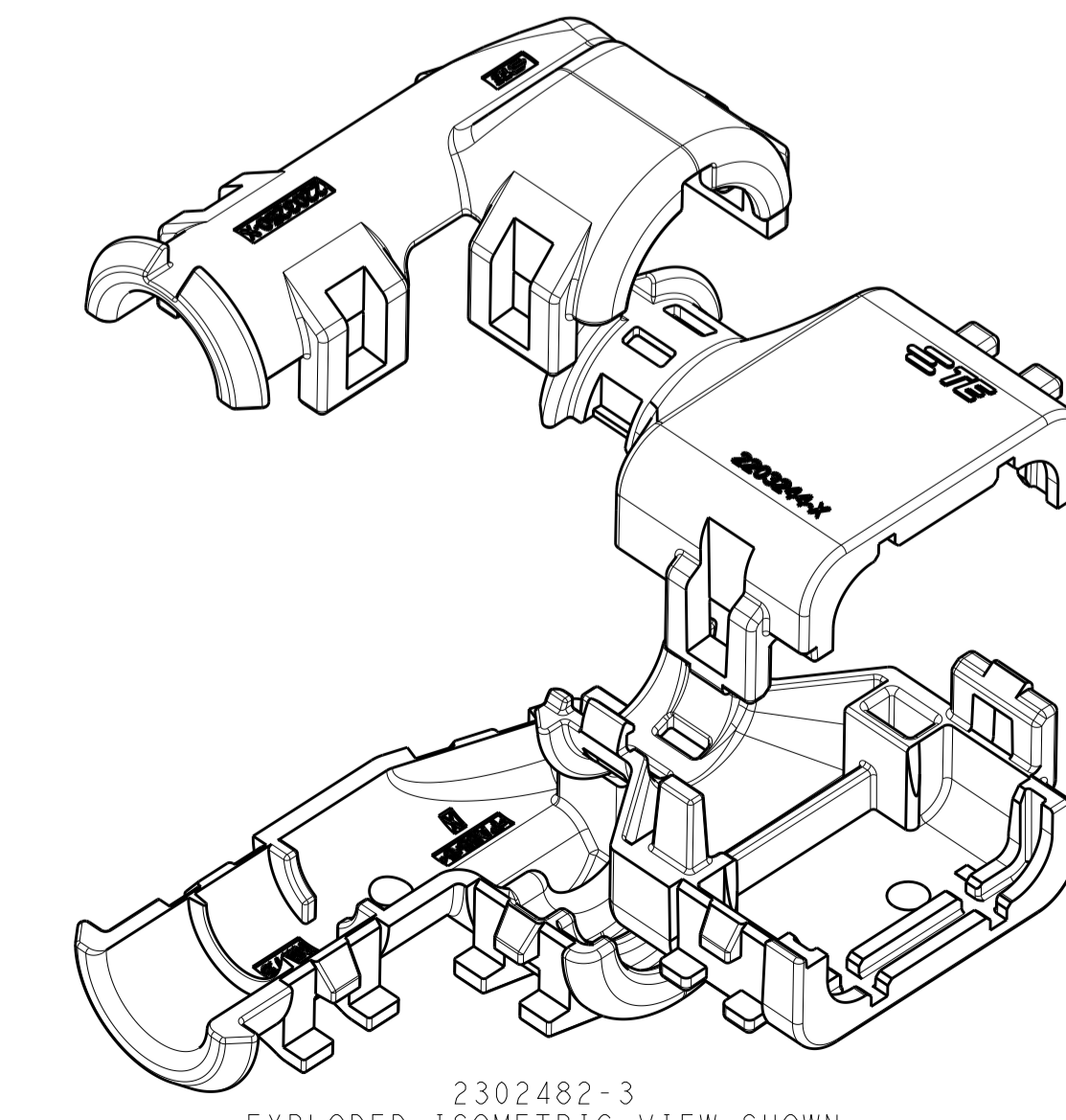
2302482-2
EXPLODED ISOMETRIC VIEW SHOWN
 2 3



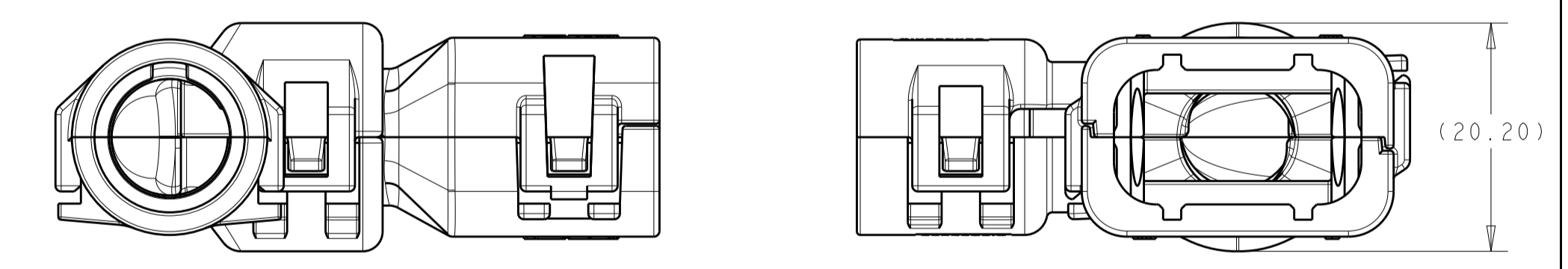
2302482-1
ASSEMBLED VIEW SHOWN
 DIMENSIONS SHOWN TYPICAL FOR 2302482-1 AND -3
 4



2302482-3
ASSEMBLED ISOMETRIC VIEW SHOWN



2302482-3
EXPLODED ISOMETRIC VIEW SHOWN
 2 3



2302482-2
ASSEMBLED VIEW SHOWN
 DIMENSIONS SHOWN FOR 2302482-2 ONLY
 4

| | | | |
|------------------|--------------|--------------|-------------|
| 776430-X | NC08 | NW7.5 | 2302482-3 |
| 776535-X | NC12 | NW10 | 2302482-2 |
| | SMOOTH | SMOOTH | 2302482-1 |
| FITS ON CAP ASSY | CORRUGATE NC | CORRUGATE NW | PART NUMBER |
| | CONDUIT SIZE | | |

THIS DRAWING IS A CONTROLLED DOCUMENT. DWG: J MCNEAL 26APR2016
 CHK: R BALTER 26APR2016
 APVD: R BALTER 26APR2016

STE TE Connectivity

NAME: BACKSHELL AND ELBOW KIT, 3 POSITION, CAP ASSEMBLY, AMPSEAL 16

PRODUCT SPEC: 108-151043
 APPLICATION SPEC: -

SIZE: A1 CAGE CODE: 100779 DRAWING NO: C=2302482 RESTRICTED TO: -

WEIGHT: 5.00g
 MATERIAL: 1
 FINISH: -
 CUSTOMER DRAWING

SCALE: 2:1 SHEET 1 OF 1 REV: A2