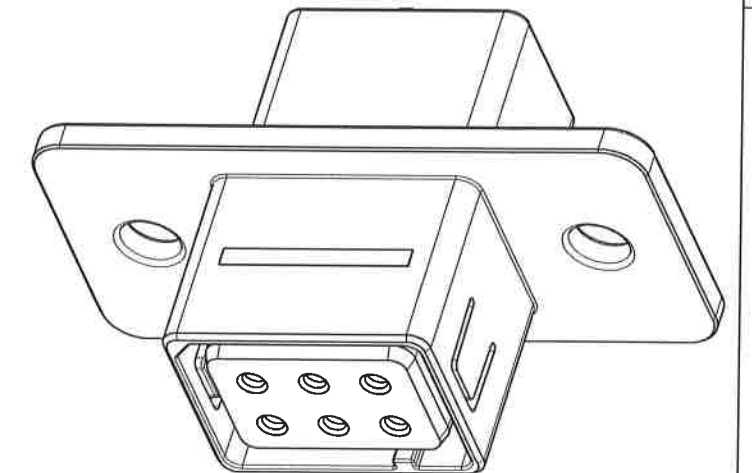
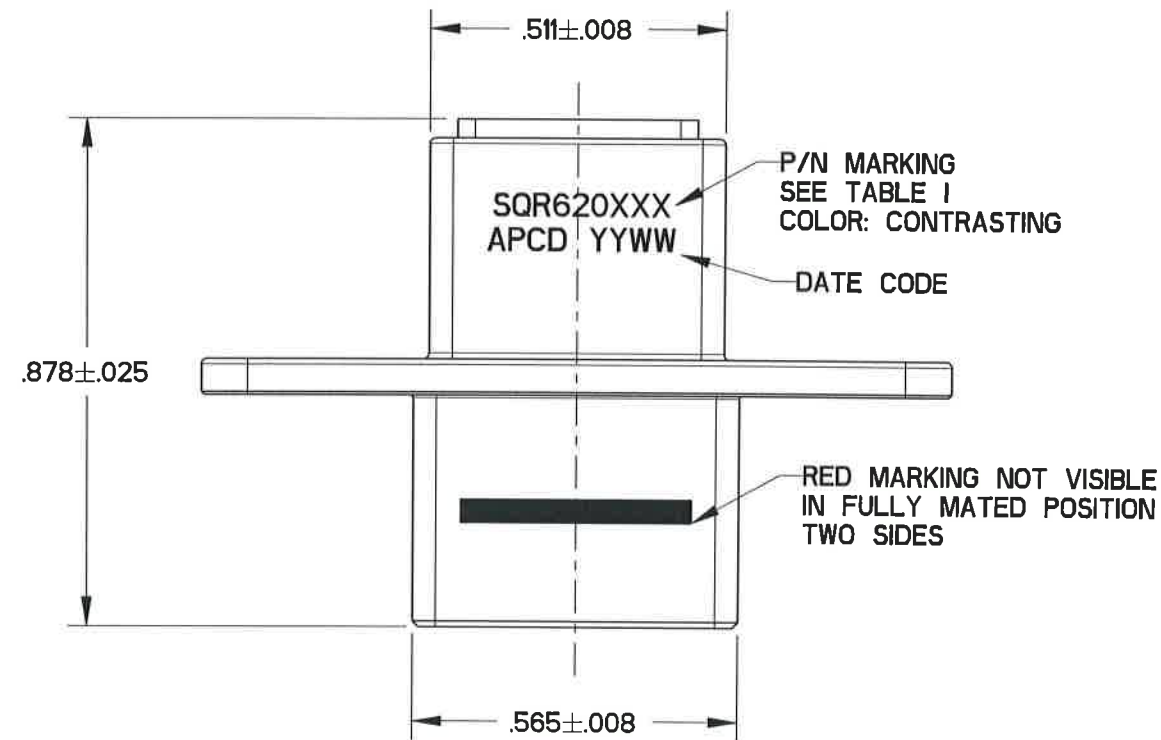
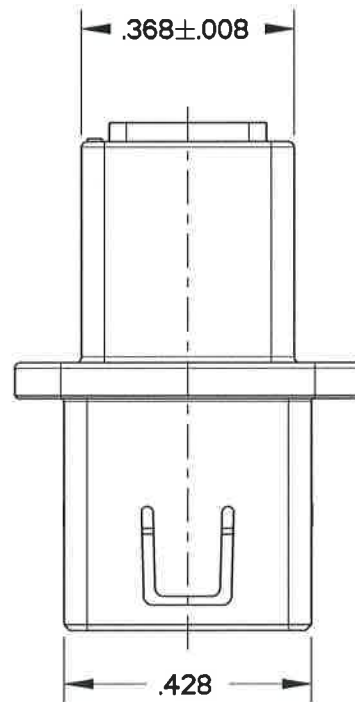
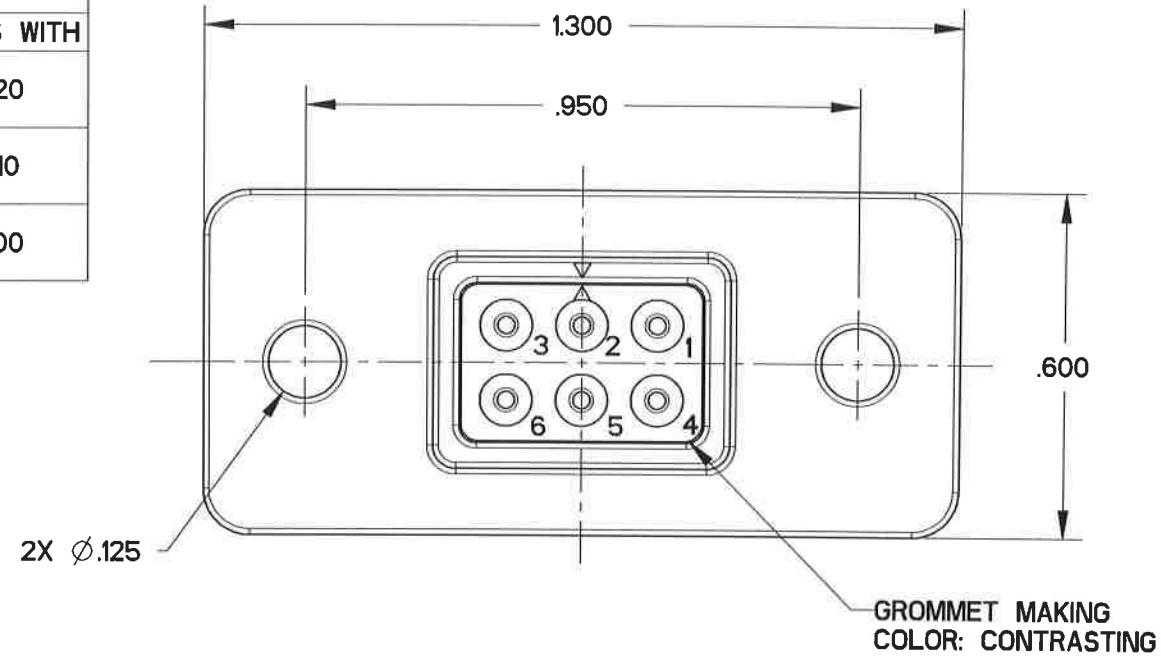


SQR620750

TABLE I - PART NUMBER SCHEME

APCD P/N	CONTACTS SUPPLIED	COLOR / KEY	P/N MARKING	PART MATES WITH
SQR620771	(6) M39029/57-357	WHITE / C	SQR620770	SQR620120
SQR620770	NONE			
SQR620761	(6) M39029/57-357	GREEN / B	SQR620760	SQR620110
SQR620760	NONE			
SQR620751	(6) M39029/57-357	BLACK / A	SQR620750	SQR620100
SQR620750	NONE			

REV	ECN	APP'D
-	8175	WL 11/10/17



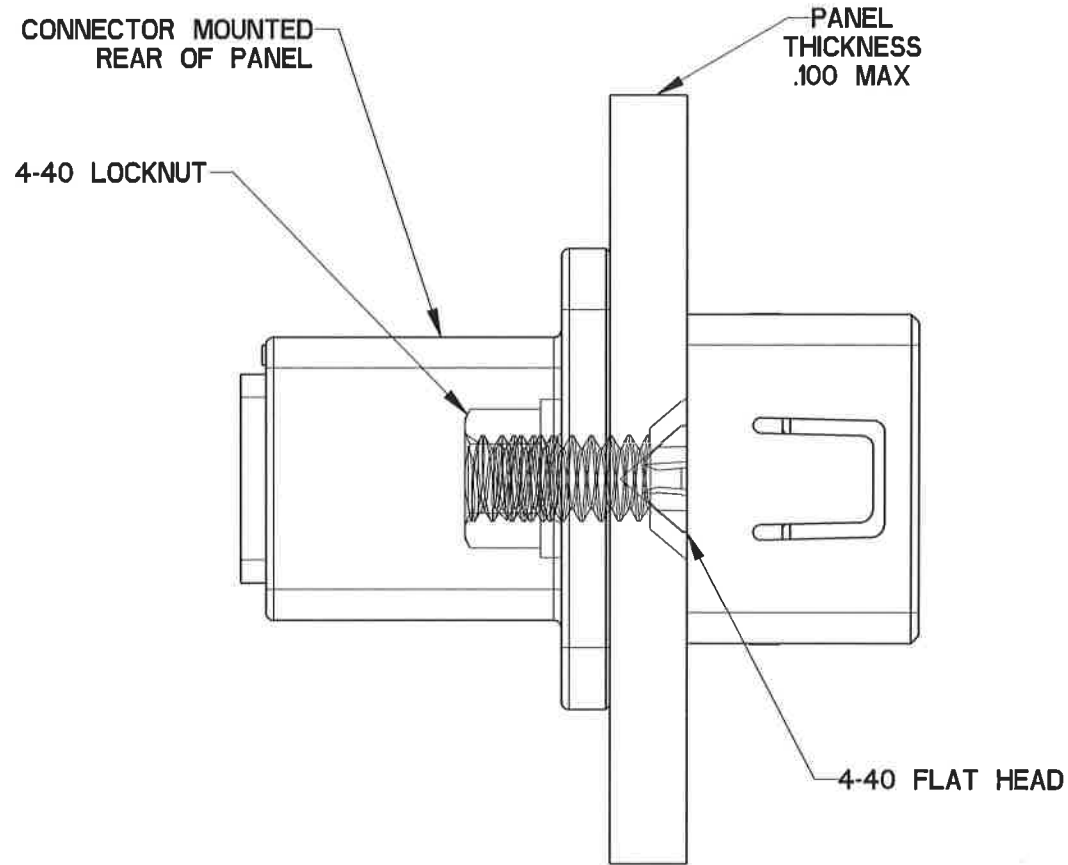
NOTES:

- MATERIALS:
 OUT HOUSING: POLYETHERIMIDE, COLOR: SEE THE TABLE I
 INNER HOUSING: POLYETHERIMIDE, COLOR: BLACK
 CONTACT RETAINER: STAINLESS STEEL
 GROMMET: SILICONE RUBBER PER A-A-59588, COLOR:RED
- PART ACCEPTS M39029/57-357 CONTACTS
- WEIGHT: 3.5g

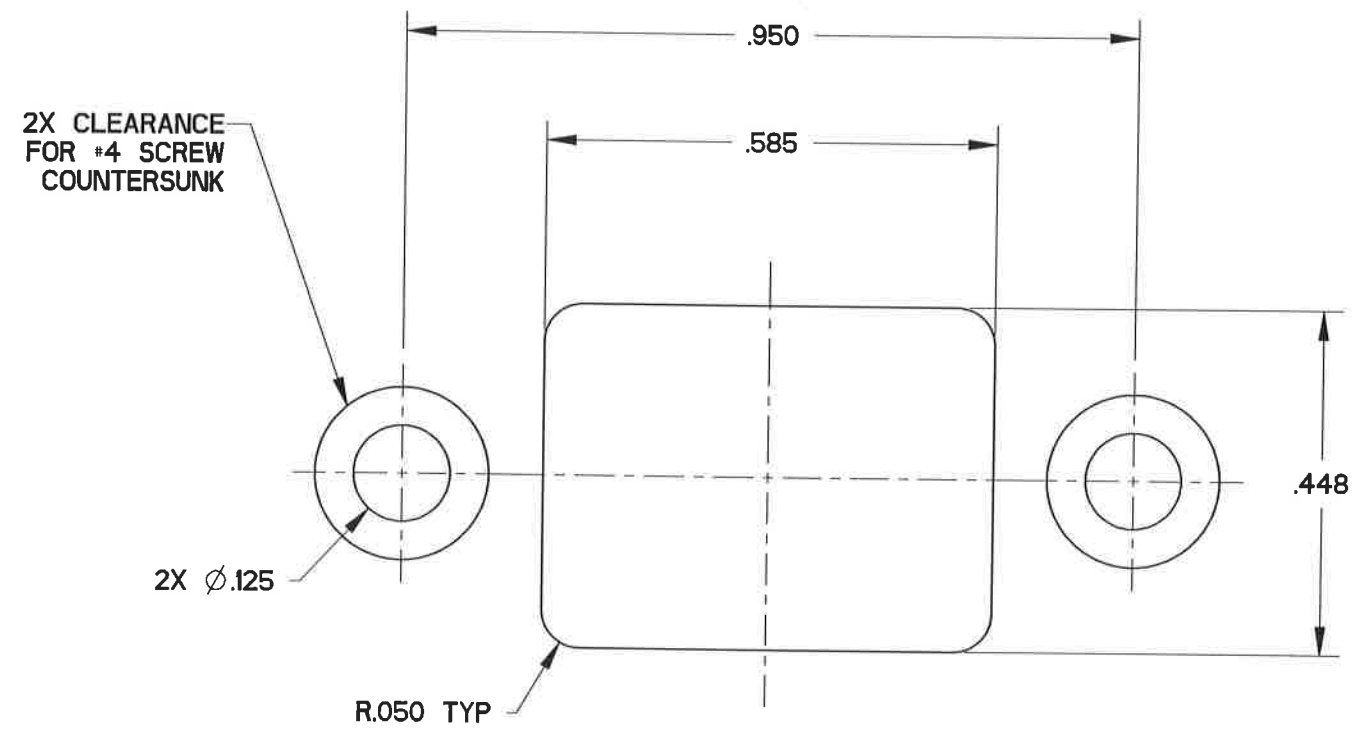
DIMENSIONS	TOLERANCES	PROJECTION	Amphenol Pcd SPECIFICATION DRAWING		TITLE 6 POS SIZE 20 RECEPTACLE FLANGE REAR MOUNT WITH SOCKET CONTACTS SQR SIZE 2		
ANSI Y14.5M UNITS: INCHES Pro/E FILE	.XX ±0.01 .XXX ±0.005 ANGLES ±2.0°		ENGR MICKEY ZHANG Jun-29-17		SIZE B	DWG NO. SQR620750	REV -
ORIGINAL	THIS DOCUMENT CONTAINS PROPRIETARY INFORMATION WHICH IS THE CONFIDENTIAL PROPERTY OF AMPHENOL PCD INC., BEVERLY, MA		CHKD 11/10/17		CODE: 58982	SCALE: 8:3	SHEET 1 OF 2
			APPD 11/10/17				

SQR620750

SQR620750



PANEL MOUNTING RECOMMENDATIONS



RECOMMENDED PANEL CUT OUT FOR HARDWARE INSTALLATION

SIZE B	DWG NO. SQR620750	REV -
CODE: 58982	SCALE: 8:3	SHEET 2 OF 2