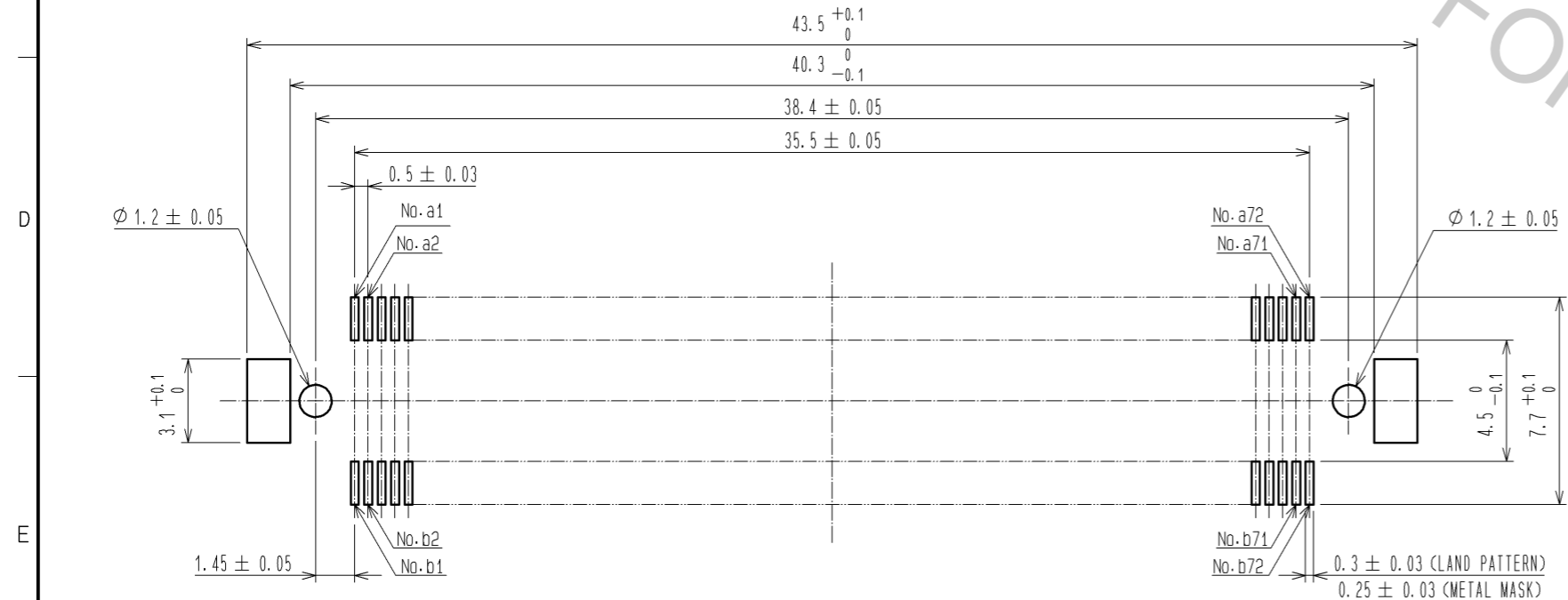


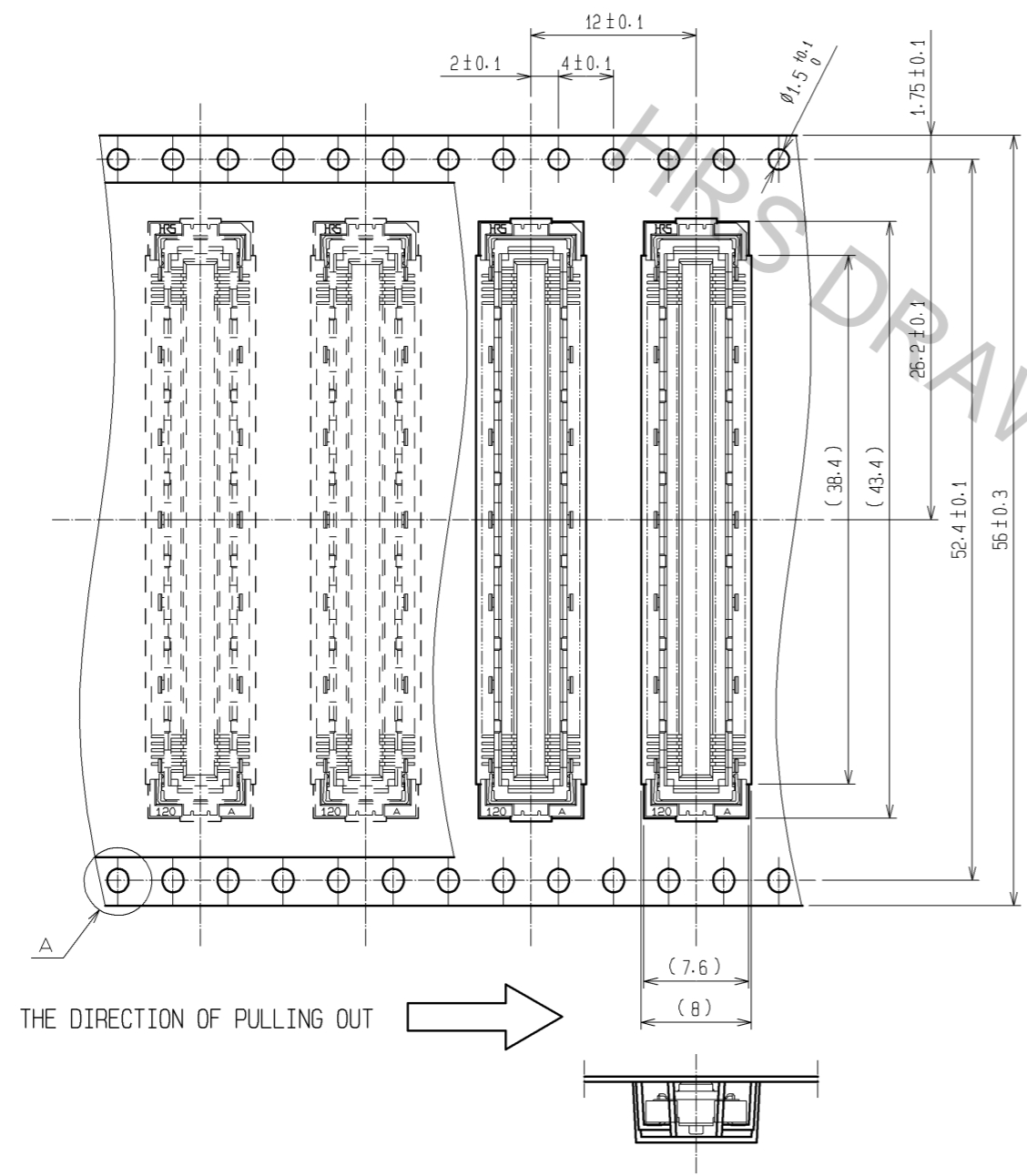
RECOMMENDED LAND PATTERN DIMENSION OF PCB  
(RECOMMENDED METAL MASK THICKNESS:0.15mm)



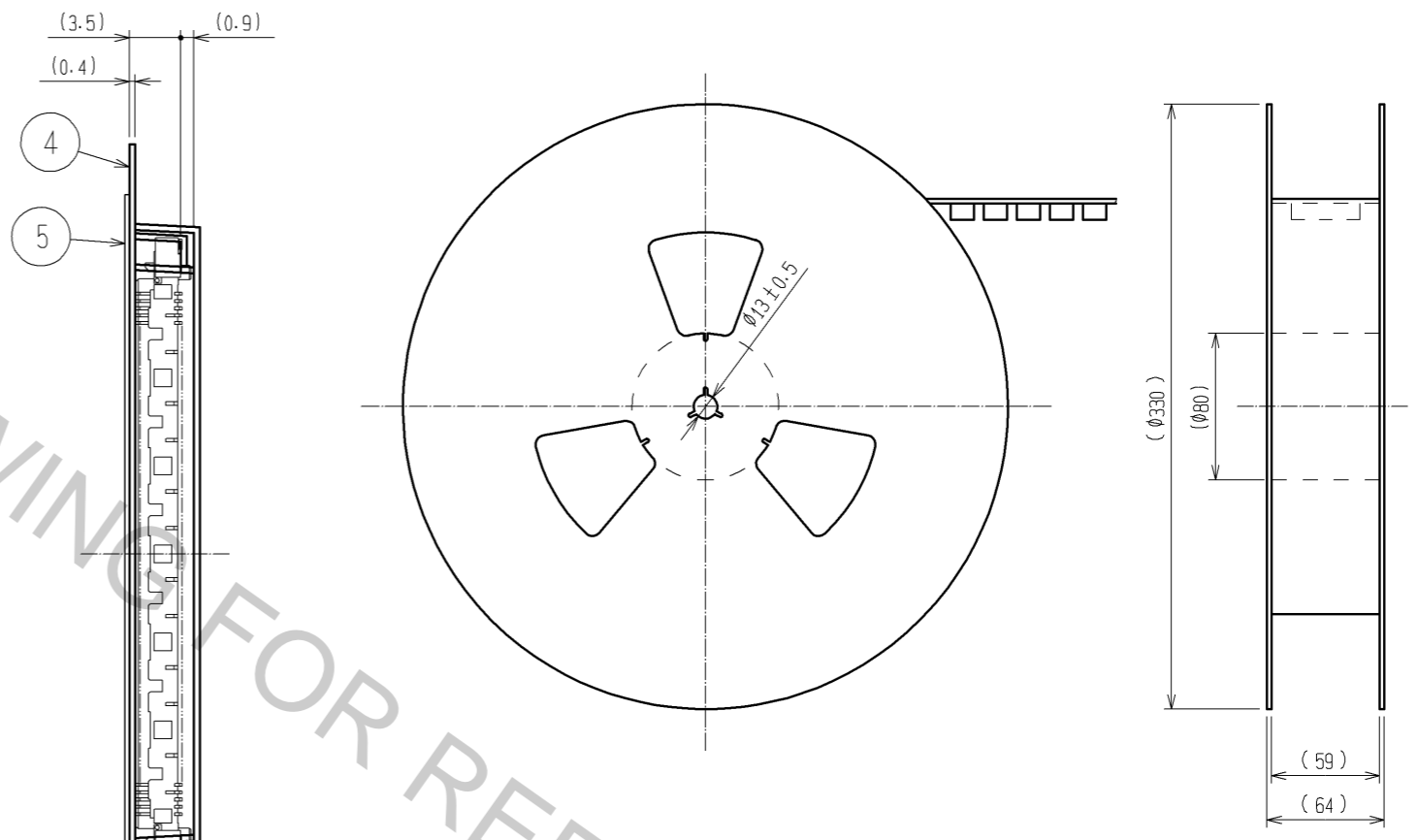
- NOTES
- 1 SMT LEAD-COPLANARITY:0.1 MAX.
  - 2 THIS PRODUCT HAS NO POLARITY TO PATTERN FOR MOUNTING.
  - 3 THE DIMENSIONS IN PARENTHESES ARE FOR REFERENCE.
  - 4 STACKING HEIGHT FROM LEAD TO LEAD(REFERENCE DIMENSIONS)
  - 5 BOARD DISTANCE
  - 6 AREA IS VACUUM PICKUP AREA FOR REFERENCE.
  - 7 EMBOSS CARRIER TAPE PACKAGE IS APPLIED ON THIS PRODUCT. PLEASE REFER TO THE SHEET 2/2 FOR THE RETAILS.

2	PHOSPHOR BRONZE	CONTACT AREA:GOLD 0.76μm min.	5	PET	TOP COVER TAPE			
		LEAD AREA:GOLD 0.03μm min.	4	PS	EMBOSSED CARRIER TAPE			
		UNDER PLATING:NICKEL 1.3μm min.	3	PHOSPHOR BRONZE	SURFACE AREA:GOLD 0.03μm min. UNDER PLATING:NICKEL 1.3μm min.			
1	LCP	BEIGE UL94V-0						
NO.	MATERIAL	FINISH . REMARKS	NO.	MATERIAL	FINISH . REMARKS			
UNITS mm			SCALE 4 : 1	COUNT	DESCRIPTION OF REVISIONS	DESIGNED	CHECKED	DATE
<b>HRS</b> HIROSE ELECTRIC CO., LTD.		APPROVED : HS. OKAWA	13. 01. 11	DRAWING NO. EDC3-151986-23				
		CHECKED : HT. YAMAGUCHI	13. 01. 11	PART NO. FX10A-144S-SV(83)				
		DESIGNED : YJ. ASAO	13. 01. 11	CODE NO. CL570-0243-4-83				
		DRAWN : YJ. ASAO	13. 01. 11					1/2

# DRAWING FOR PACKING(2:1)



## REELED DIMENSION(FREE)



- NOTES
- 1 1REEL : 1000 CONNECTORS.
  - 2 MINIMUM 10 COMPARTMENTS FROM BOTH REEL ENDS REMAIN EMPTY.
  - 3 THIS PRODUCT HAS NO POLARITY TO TAPE AND REEL PACKAGING.
  - 4 THE DIMENSIONS IN PARENTHESES ARE FOR REFERENCE.

<b>HRS</b>	DRAWING NO.	EDC3-151986-23	2/2
	PART NO.	FX10A-144S-SV(83)	
	CODE NO.	CL570-0243-4-83	