

TYPE 2C

**Tool Kit**  
**Order No. 63811-7570**

## Application Tooling Specification Sheet

**Hand Crimp Tool**  
**Order No. 63811-7500**

### FEATURES

- % A full cycle ratcheting hand tool ensures complete crimps
- % Ergonomically designed soft handles
- % Precisely designed crimping profiles with simple contact positioning
- % Easy handling due to outstanding force ratio
- % Tool kits are easily installed into the Hand Crimp Tool or the 63816-0300 Power Crimp Head, which is installed into the 63816-0200 (110 V) or the 63816-0250 (220 V) Battery Powered Tool
- % Many different Tool kits can be used with a single Battery Powered Tool
- % This tool is IPC/WHMA-A-620 Class 2 and RoHS compliant as indicated
- % Both black and gray locators are included with hand tool

### SCOPE

Products: 3.96mm (.156") Pitch KK Crimp Terminal for 18-24 AWG.

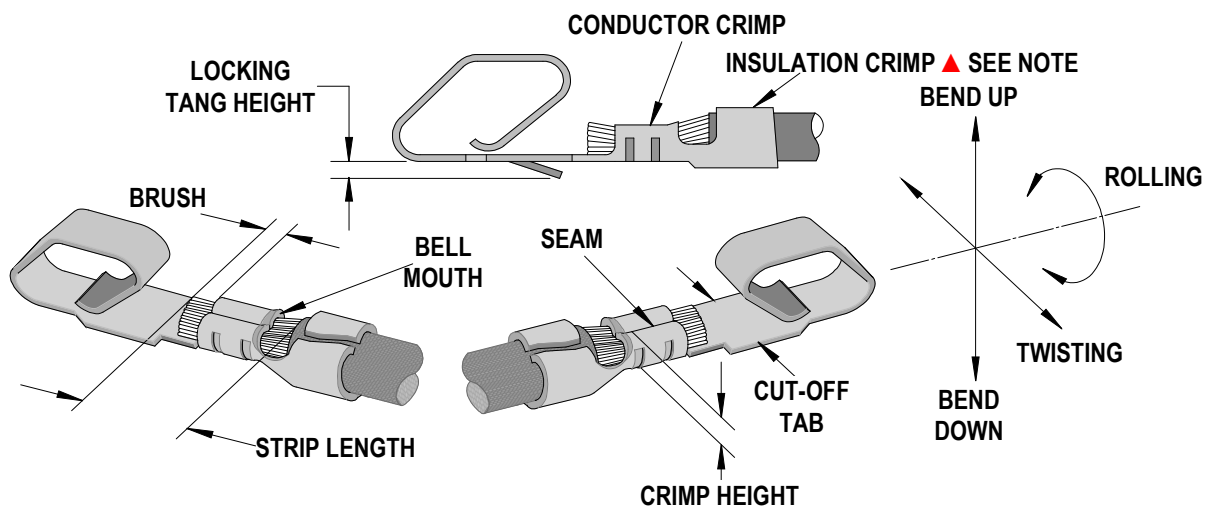
| Terminal Series No. | Terminal Order No. |            |            |            | Wire Size |                 | *Insulation Diameter |           | Strip Length |           |
|---------------------|--------------------|------------|------------|------------|-----------|-----------------|----------------------|-----------|--------------|-----------|
|                     | Loose Piece        |            | *Reel      |            | AWG       | mm <sup>2</sup> | mm                   | In.       | mm           | In.       |
| 2477                | 08-50-0110         | 08-56-0114 | 08-50-0109 | 08-56-0113 | 18-24     | 0.80-0.20       | 1.39-2.79            | .055-.110 | 2.54-3.17    | .100-.125 |
| 2478                | 08-50-0006         | 08-56-0106 | 08-50-0001 | 08-52-0073 | 18-24     | 0.80-0.20       | 1.39-2.79            | .055-.110 | 2.54-3.17    | .100-.125 |
|                     | 08-50-0016         | 08-56-0154 | 08-50-0014 | 08-52-0114 |           |                 |                      |           |              |           |
|                     | 08-50-0045         | 08-58-0104 | 08-50-0015 | 08-52-0811 |           |                 |                      |           |              |           |
|                     | 08-50-0046         | 08-58-0115 | 08-50-0047 | 08-53-0004 |           |                 |                      |           |              |           |
|                     | 08-50-0056         | 08-58-0122 | 08-50-0055 | 08-53-0811 |           |                 |                      |           |              |           |
|                     | 08-50-0064         | 08-65-0115 | 08-50-0063 | 08-55-0103 |           |                 |                      |           |              |           |
|                     | 08-50-0074         | 39-00-0345 | 08-50-0073 | 08-55-0133 |           |                 |                      |           |              |           |
|                     | 08-50-0093         | 39-00-0344 | 08-50-0091 | 08-56-0105 |           |                 |                      |           |              |           |
|                     | 08-50-0106         | 39-00-0346 | 08-50-0103 | 08-56-0153 |           |                 |                      |           |              |           |
|                     | 08-50-0120         | 39-00-0348 | 08-50-0105 | 08-58-0103 |           |                 |                      |           |              |           |
|                     | 08-50-0147         | 40-01-1120 | 08-50-0119 | 08-58-0114 |           |                 |                      |           |              |           |
|                     | 08-52-0024         | 50-29-1762 | 08-50-0146 | 08-58-0121 |           |                 |                      |           |              |           |
|                     | 08-52-0045         | 50-30-4428 | 08-50-0271 | 08-65-0114 |           |                 |                      |           |              |           |
|                     | 08-52-0047         | 50-30-4429 | 08-50-0281 | 39-00-0286 |           |                 |                      |           |              |           |
|                     | 08-52-0072         |            | 08-51-0000 | 39-00-0343 |           |                 |                      |           |              |           |
|                     | 08-52-0074         |            | 08-51-0720 | 39-00-0345 |           |                 |                      |           |              |           |
|                     | 08-52-0115         |            | 08-52-0023 | 39-00-0347 |           |                 |                      |           |              |           |
|                     | 08-52-0812         |            | 08-52-0027 | 40-01-1118 |           |                 |                      |           |              |           |
| 08-53-0812          |                    | 08-52-0044 | 50-29-1689 |            |           |                 |                      |           |              |           |
| 08-55-0104          |                    | 08-52-0046 | 50-29-1768 |            |           |                 |                      |           |              |           |
| 08-55-0134          |                    | 08-52-0071 |            |            |           |                 |                      |           |              |           |

| Terminal Series No. | Terminal Order No. |            |             |             | Wire Size |                 | *Insulation Diameter |           | Strip Length |           |
|---------------------|--------------------|------------|-------------|-------------|-----------|-----------------|----------------------|-----------|--------------|-----------|
|                     | Loose Piece        |            | *Reel       |             | AWG       | mm <sup>2</sup> | mm                   | In.       | mm           | In.       |
| 2878                | 08-50-0116         |            | 08-50-0115  | 08-55-0138  | 18-20     | 0.80-0.50       | 1.52-2.79            | .060-.110 | 2.54-3.17    | .100-.125 |
|                     | 08-52-0127         |            | 08-51-0109  | 08-58-0127  |           |                 |                      |           |              |           |
|                     | 08-58-0128         |            | 08-52-0126  | 08-65-0118  |           |                 |                      |           |              |           |
|                     | 08-65-0119         |            | 08-53-0814  |             |           |                 |                      |           |              |           |
| 838                 | 08-50-0132         | 08-55-0143 | 08-50-0131  | 08-55-0142  | 18-22     | 0.80-0.35       | 1.52-2.41            | .060-.095 | 2.54-3.17    | .100-.125 |
|                     | 08-55-0140         | 08-55-0146 | 08-55-0125  | 08-55-0145  |           |                 |                      |           |              |           |
|                     | 08-55-0141         | 08-55-0148 | 08-55-0139  | 08-55-0147  |           |                 |                      |           |              |           |
| 5167                | 08-70-0013         | 08-70-1034 | 08-70-0012  | 08-70-0097  | 18-24     | 0.80-0.20       | 1.39-2.48            | .055-.098 | 2.54-3.17    | .100-.125 |
| 6348                | 08-50-0165         | 08-56-0139 | 08-50-0164  | 08-53-0813  | 18-20     | 0.80-0.50       | 1.52-2.41            | .060-.095 | 2.54-3.17    | .100-.125 |
|                     | 08-51-0802         |            | 08-51-0801  | 08-56-0135  |           |                 |                      |           |              |           |
|                     | 08-56-0133         |            | 08-51-0813  | 08-56-0137  |           |                 |                      |           |              |           |
| 6838                | 08-50-0029         | 08-58-0119 | 08-50-0024  | 08-58-0105  | 18-20     | 0.80-0.50       | 1.52-2.79            | .060-.110 | 2.54-3.17    | .100-.125 |
|                     | 08-50-0189         | 08-58-0132 | 08-50-0026  | 08-58-0108  |           |                 |                      |           |              |           |
|                     | 08-50-0251         | 08-58-0189 | 08-50-0028  | 08-58-0110  |           |                 |                      |           |              |           |
|                     | 08-51-0107         | 08-60-0002 | 08-50-0187  | 08-58-0118  |           |                 |                      |           |              |           |
|                     | 08-52-0113         | 50-29-1763 | 08-50-0275  | 08-58-0131  |           |                 |                      |           |              |           |
|                     | 08-53-1102         | 50-29-1879 | 08-51-0106  | 08-58-0187  |           |                 |                      |           |              |           |
|                     | 08-58-0106         |            | 08-52-0112  | 08-60-0001  |           |                 |                      |           |              |           |
|                     | 08-58-0109         |            | 08-53-0101  | 50-29-1639  |           |                 |                      |           |              |           |
| 08-58-0111          |                    | 08-58-0102 |             |             |           |                 |                      |           |              |           |
| 8818                | 08-50-0023         | 08-58-0136 | 08-50-0008  | 08-58-0135  | 18-22     | 0.80-0.35       | 1.52-2.79            | .060-.110 | 4.00-4.75    | .157-.187 |
|                     | 08-50-0706         | 08-65-0129 | 08-50-0705  | 08-65-0128  |           |                 |                      |           |              |           |
|                     | 08-52-0132         |            | 08-52-0131  | 40-01-1181  |           |                 |                      |           |              |           |
|                     | 08-56-0188         |            | 08-56-0187  | 40-01-1182  |           |                 |                      |           |              |           |
| 8993                | 08-50-0276         |            | 08-50-0011  | 08-50-0277  | 18-24     | 0.80-0.20       | 1.39-2.79            | .055-.110 | 2.54-3.17    | .100-.125 |
| 172160              |                    |            | 172160-1803 | 172160-1804 | 18-20     | 0.80-0.50       | 1.52-2.79            | .060-.110 | 2.54-3.17    | .100-.125 |
|                     |                    |            | 172160-1801 | 172160-1802 |           |                 |                      |           |              |           |
|                     |                    |            | 172160-1805 | 172160-1806 |           |                 |                      |           |              |           |

\* Customer to cut off terminal from reel: 2.72 ± .13mm (.107 ± .005") maximum cut off tab.

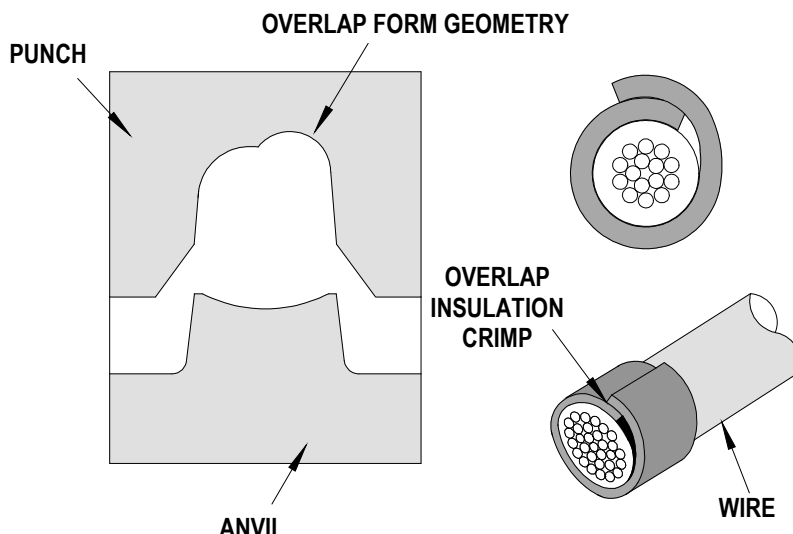
\* See Conditions on page 4.

### DEFINITION OF TERMS



**▲ Insulation Crimp Note**

Due to the terminal’s insulation grip design and/or insulation diameter range, this tool uses “overlap” form geometry in the insulation punch. This produces an overlap insulation crimp (A620 – compliant). While the insulation punch profile may appear “lopsided”, this is a normal condition for this tool. See figure to the right. (Some tools with multiple crimp pockets may not have the “overlap” profile on all pockets).



**CONDITIONS**

After crimping, the conductor profiles should measure the following (see notes below):

| Terminal Series No. | Hand Tool Locator     | Wire Size |                 | Conductor Crimp Height (REF) |           | Punch Width (Ref) |      |            |      | Pull Force Minimum |       | *Profile |   |
|---------------------|-----------------------|-----------|-----------------|------------------------------|-----------|-------------------|------|------------|------|--------------------|-------|----------|---|
|                     |                       |           |                 |                              |           | Conductor         |      | Insulation |      |                    |       |          |   |
|                     |                       | AWG       | mm <sup>2</sup> | mm                           | In.       | mm                | In.  | mm         | In.  | N                  | Lb.   | A        | B |
| 2477                | Black<br>63811-7576   | 18        | 0.80            | 1.01-1.11                    | .040-.044 | 2.00              | .079 | 2.50       | .098 | 89.0               | 20.00 | X        |   |
|                     |                       | 20        | 0.50            | 1.01-1.11                    | .040-.044 | 2.00              | .079 | 2.50       | .098 | 57.8               | 13.00 | X        |   |
|                     |                       | 22        | 0.35            | 0.86-0.96                    | .034-.038 | 2.00              | .079 | 2.50       | .098 | 35.6               | 8.00  |          | X |
|                     |                       | 24        | 0.20            | 0.86-0.96                    | .034-.038 | 2.00              | .079 | 2.50       | .098 | 22.2               | 5.00  |          | X |
| 2478                | Black<br>63811-7576   | 18        | 0.80            | 1.01-1.11                    | .040-.044 | 2.00              | .079 | 2.50       | .098 | 89.0               | 20.00 | X        |   |
|                     |                       | 20        | 0.50            | 1.01-1.11                    | .040-.044 | 2.00              | .079 | 2.50       | .098 | 57.8               | 13.00 | X        |   |
|                     |                       | 22        | 0.35            | 0.86-0.96                    | .034-.038 | 2.00              | .079 | 2.50       | .098 | 35.6               | 8.00  |          | X |
|                     |                       | 24        | 0.20            | 0.86-0.96                    | .034-.038 | 2.00              | .079 | 2.50       | .098 | 22.2               | 5.00  |          | X |
| 2878                | Black<br>63811-7576   | 18        | 0.80            | 1.01-1.11                    | .040-.044 | 2.00              | .079 | 2.50       | .098 | 89.0               | 20.00 | X        |   |
|                     |                       | 20        | 0.50            | 1.01-1.11                    | .040-.044 | 2.00              | .079 | 2.50       | .098 | 57.8               | 13.00 | X        |   |
| 4838                | Black<br>63811-7576   | 18        | 0.80            | 1.01-1.11                    | .040-.044 | 2.00              | .079 | 2.50       | .098 | 89.0               | 20.00 | X        |   |
|                     |                       | 20        | 0.50            | 1.01-1.11                    | .040-.044 | 2.00              | .079 | 2.50       | .098 | 57.8               | 13.00 | X        |   |
|                     |                       | 22        | 0.35            | 0.86-0.96                    | .034-.038 | 2.00              | .079 | 2.50       | .098 | 35.6               | 8.00  |          | X |
| 5167                | Black<br>63811-7576   | 18        | 0.80            | 1.01-1.11                    | .040-.044 | 2.00              | .079 | 2.50       | .098 | 89.0               | 20.00 | X        |   |
|                     |                       | 20        | 0.50            | 1.01-1.11                    | .040-.044 | 2.00              | .079 | 2.50       | .098 | 57.8               | 13.00 | X        |   |
|                     |                       | 22        | 0.35            | 0.86-0.96                    | .034-.038 | 2.00              | .079 | 2.50       | .098 | 35.6               | 8.00  |          | X |
|                     |                       | 24        | 0.20            | 0.86-0.96                    | .034-.038 | 2.00              | .079 | 2.50       | .098 | 22.2               | 5.00  |          | X |
| 6438                | Black<br>63811-7576   | 18        | 0.80            | 1.01-1.11                    | .040-.044 | 2.00              | .079 | 2.50       | .098 | 89.0               | 20.00 | X        |   |
|                     |                       | 20        | 0.50            | 1.01-1.11                    | .040-.044 | 2.00              | .079 | 2.50       | .098 | 57.8               | 13.00 | X        |   |
| 6838                | Black<br>63811-7576   | 18        | 0.80            | 1.01-1.11                    | .040-.044 | 2.00              | .079 | 2.50       | .098 | 89.0               | 20.00 | X        |   |
|                     |                       | 20        | 0.50            | 1.01-1.11                    | .040-.044 | 2.00              | .079 | 2.50       | .098 | 57.8               | 13.00 | X        |   |
| 8818                | ** Gray<br>63811-7575 | 18        | 0.80            | 1.01-1.11                    | .040-.044 | 2.00              | .079 | 2.50       | .098 | 89.0               | 20.00 | X        |   |
|                     |                       | 20        | 0.50            | 1.01-1.11                    | .040-.044 | 2.00              | .079 | 2.50       | .098 | 57.8               | 13.00 | X        |   |
|                     |                       | 22        | 0.35            | 0.86-0.96                    | .034-.038 | 2.00              | .079 | 2.50       | .098 | 35.6               | 8.00  |          | X |

| Terminal Series No.  | Hand Tool Locator       | Wire Size |                 | Conductor Crimp Height (REF) |           | Punch Width (Ref) |      |            |      | Pull Force Minimum |       | *Profile |   |
|--|-------------------------|-----------|-----------------|------------------------------|-----------|-------------------|------|------------|------|--------------------|-------|----------|---|
|  |                         | AWG       | mm <sup>2</sup> | mm                           | In.       | Conductor         |      | Insulation |      | N                  | Lb.   | A        | B |
|  |                         |           |                 |                              |           | mm                | In.  | mm         | In.  |                    |       |          |   |
| 8993   | Black<br>63811-<br>7576 | 18        | 0.80            | 1.01-1.11                    | .040-.044 | 2.00              | .079 | 2.50       | .098 | 89.0               | 20.00 | X        |   |
|  |                         | 20        | 0.50            | 1.01-1.11                    | .040-.044 | 2.00              | .079 | 2.50       | .098 | 57.8               | 13.00 | X        |   |
|  |                         | 22        | 0.35            | 0.86-0.96                    | .034-.038 | 2.00              | .079 | 2.50       | .098 | 35.6               | 8.00  |          | X |
|  |                         | 24        | 0.20            | 0.86-0.96                    | .034-.038 | 2.00              | .079 | 2.50       | .098 | 22.2               | 5.00  |          | X |
| 172160   | Black<br>63811-<br>7576 | 18        | 0.80            | 1.01-1.11                    | .040-.044 | 2.00              | .079 | 2.50       | .098 | 89.0               | 20.00 | X        |   |
|  |                         | 20        | 0.50            | 1.01-1.11                    | .040-.044 | 2.00              | .079 | 2.50       | .098 | 57.8               | 13.00 | X        |   |
| <p><b>* To Achieve IPC-A-620 Class 2 Crimps, the following overall wire insulation diameter ranges are recommended:</b></p> <ol style="list-style-type: none"> <li><b>Profile A:</b> 1.70-2.00mm (.067-.079")</li> <li><b>Profile B:</b> 1.65-1.85mm (.065-.073")</li> </ol> |                         |           |                 |                              |           |                   |      |            |      |                    |       |          |   |

**Tool Qualification Notes**

1. Pull force should be measured with no influence from the insulation crimp.
2. The above specifications are guidelines to an optimal crimp.

**Note:**

A crimp height chart is provided with this manual as reference only. Due to the wide range of wires, strands, insulation diameters and durometers, actual crimp height measurements may vary slightly. An occasional destructive pull force test should be performed to check hand tool crimp. Pull force value must exceed the minimum pull force specifications listed.

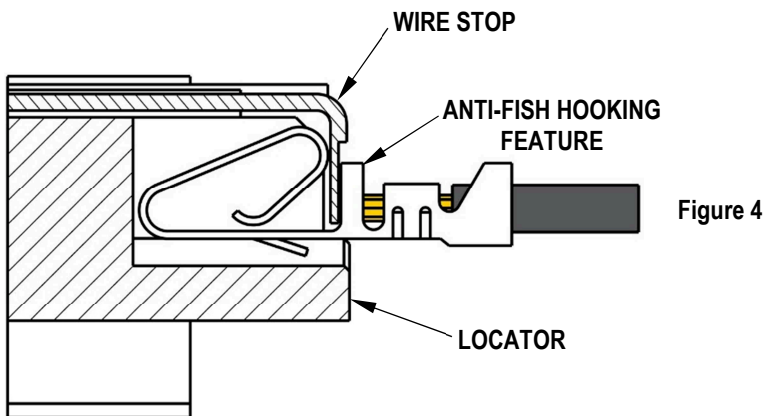
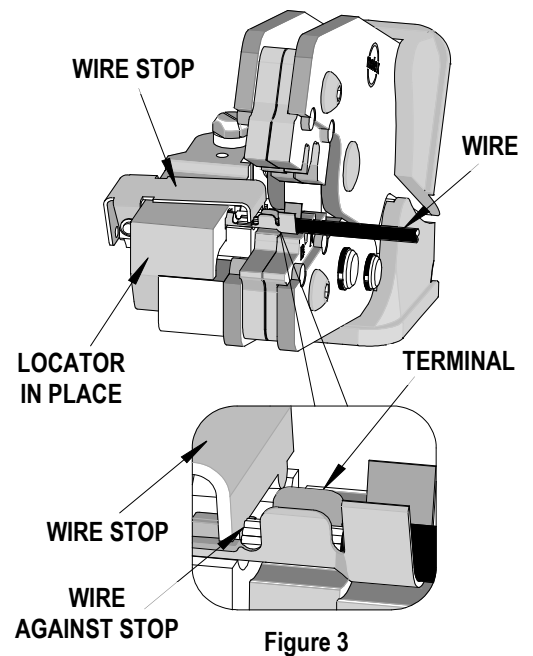
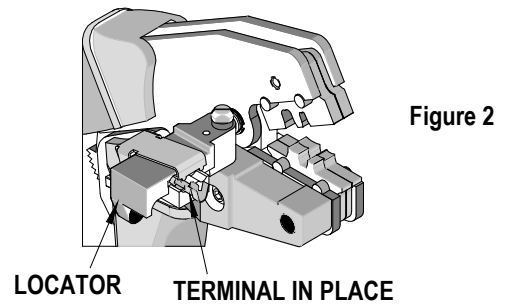
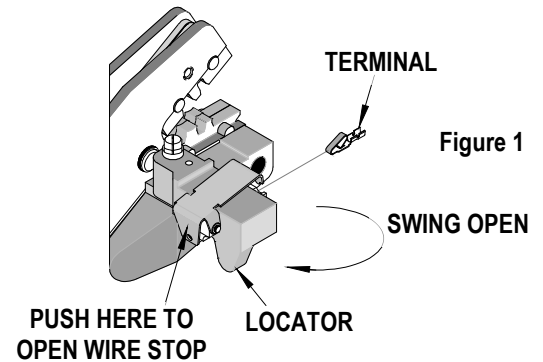
**CAUTION:** Install only Molex terminals listed above with this tool. Do not crimp hardened objects because damage can occur to the tool or die.

## OPERATION

Open the tool by squeezing the handles together. At the end of the closing stroke, the ratchet mechanism will release the handles, and the hand tool will spring open.

### Crimping Terminals

1. Select the desired terminal and hand tool locator listed in the preceding charts (see Locator Removal and Installation).
2. Swing the terminal locator away from the crimp tool shown in Figure 1. Some terminals with large insulation grips may interfere with the crimp tooling when swinging the locator into position. The terminal must then be loaded into the locator in the original position.
3. Insert the proper terminal into the proper nest opening. Make sure when choosing the nest opening that it corresponds with the A or B profiles on the hand tool.
4. Press down on the wire stop on the locator as shown in Figure 2.
  - \*\* For terminal series 8818 (using the gray hand tool locator), the wire stop will fall between the contact and the anti-fish hooking feature. See Figure 4.
5. Return the locator to its original position.
6. Insert the proper wire over the terminal. Some large OD wires may need to be placed into the terminal before closing the tool. Gently touch the wire stop with the end of the wire. See Figure 3.
7. Compress the terminal by squeezing the tool handles until the ratchet mechanism cycle has been completed. Release handles to open the jaws.
8. Remove the crimped terminal from the terminal locator by pressing down on the wire stop and gently pulling on the wire. The terminal locator can be in either position.
9. Visually inspect the crimped terminal for proper crimp location.



**Note:** The tamper-proof ratchet action will not release the tool until it has been fully closed.

### For the Battery Power Tool Operation:

1. Cycle the Battery Power Tool to crimp the terminal to the wire.
2. Remove the crimped terminal from the terminal locator by pressing down on the wire stop and gently pulling on the wire. The terminal locator can be in either position.
3. Visually inspect the crimped terminal for proper crimp location.

### Locator Removal and Installation

1. Open the crimp hand tool.
2. Swing the existing locator open and away from the hand tool.
3. Firmly press down on the brass pivot shaft with your thumb while pulling up on the locator. Slip the locator off of the top of the brass pivot shaft. See Figure 5.
4. Replace it with the proper locator by putting it over the brass pivot shaft and snapping it into place.

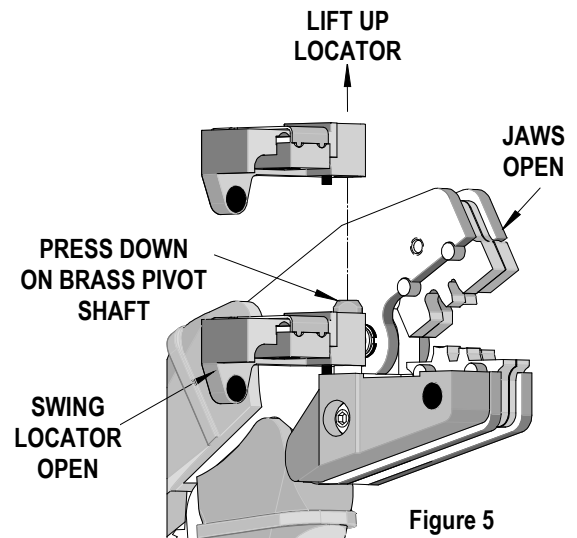


Figure 5

### Locator Replacement

See the parts list on the last page of this document for the proper locator order number. Follow the steps above to replace the locator.

### Maintenance

It is recommended that each operator of the tool be made aware of, and responsible for, the following maintenance steps:

1. Remove dust, moisture and other contaminants with a clean brush or a soft, lint-free cloth.
2. Do not use any abrasive materials that could damage the tool.
3. Make certain all pins, pivot points and bearing surfaces are protected with a thin coat of high-quality machine oil. Do not oil excessively. The tool was engineered for durability, but like any fine piece of equipment, it needs cleaning and lubrication for a maximum service life of trouble-free crimping. A 30 weight automotive (light) oil used at the oil points every 5,000 crimps or 3 months will significantly enhance the tool life. See Figures 6A and 6B.
4. Wipe excess oil from the hand tool, particularly from the crimping area. Oil transferred from the crimping area onto certain terminations may affect the electrical characteristics of an application.
5. When the tool is not in use, keep the handles closed to prevent objects from becoming lodged in the crimping dies, and store the tool in a clean, dry area.

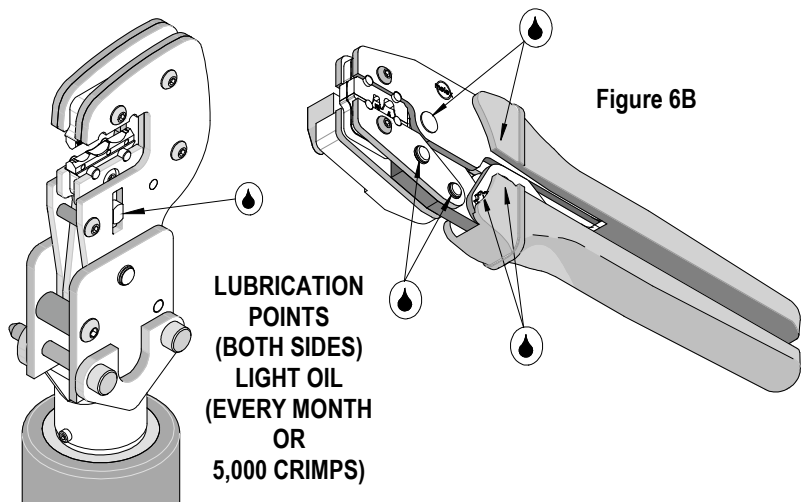


Figure 6A

Figure 6B

## Miscrimps or Jams

Should this tool ever become stuck or jammed in a partially closed position, **Do Not** force the handles open or closed. The tool will open easily by pressing the ratchet release lever. See Figure 7.

## How to Adjust Tool Preload (See Figure 7)

This hand tool is factory preset to 25-45 pounds preload. It may be necessary over the life of the tool to adjust tool handle preload force. Listed below are the steps required to adjust the crimping force of the hand tool to obtain proper crimp conditions:

1. Remove or fold back the handle grip from the handle to expose the eccentric axle and setting wheel.
2. Remove the locking screw with a 2mm hex wrench. The wrench set (63810-0101) is not supplied. It is sold separately from the hand tool.
3. Turn the eccentric axle and setting wheel with the wrench or pliers counterclockwise (CCW) to increase handle force.
4. Replace the locking screw, aligning the nearest notch in the setting wheel to locking screw.
5. Replace the handle grip.
6. Check the crimp specifications or conduct a pull test after tool handle preload force is adjusted.

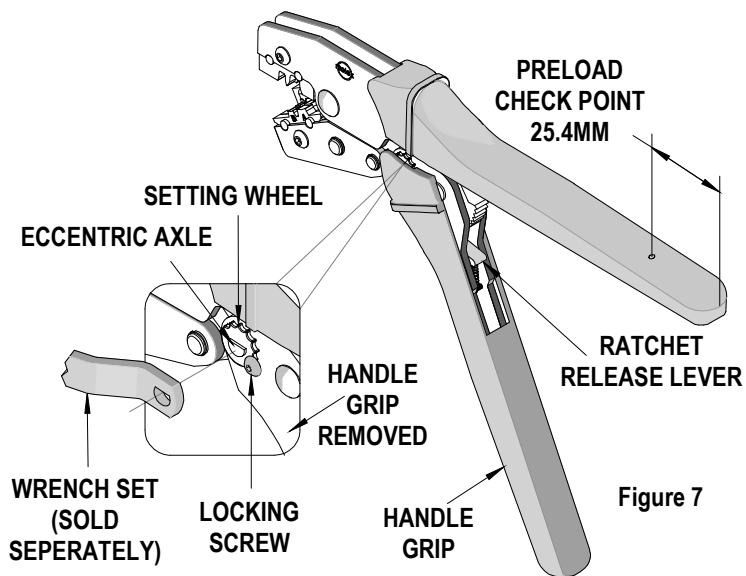


Figure 7



## INSTALLATION

To install the Tool Kit into the Power Crimp Head, follow the steps below:

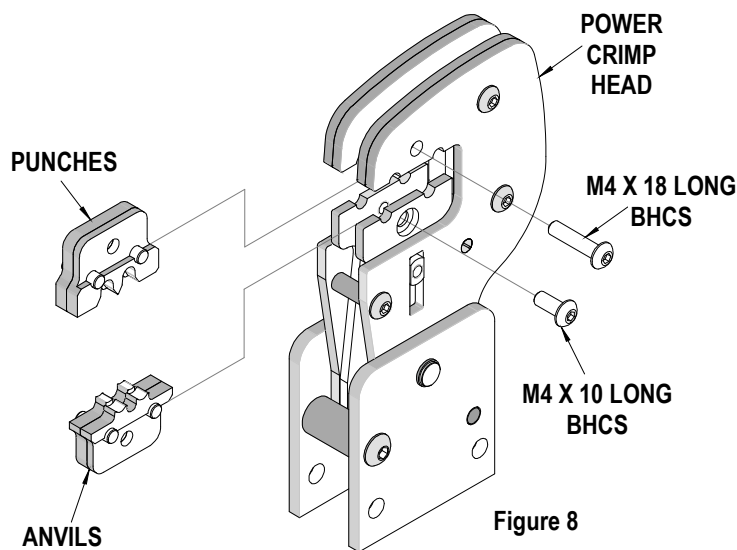


Figure 8

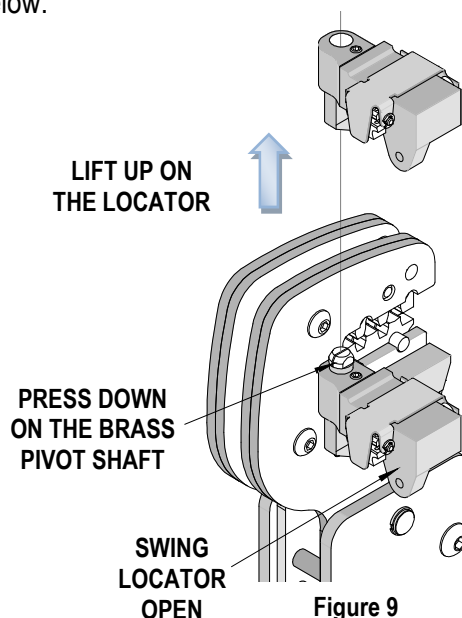


Figure 9

### Anvils and Punches Installation

1. Insert the anvils into the bottom slots of the nest. Install the M4 x 10 long BHCS and tighten in place.
2. Insert the punches into the top slots of the nest. Install the M4 x 18 long BHCS and tighten in place. See Figure 8.

### Locator Removal and Installation

3. Open the power crimp head.
4. Swing the existing locator open and away from the crimp tool.
5. Firmly press down on the brass pivot shaft with your thumb while pulling up on the locator. Slip the locator off of the top of the brass pivot shaft. See Figure 9.
6. Replace it with the proper locator by putting the locator over the brass pivot shaft and snapping it into place.



## Warranty

This tool is for electrical terminal crimping purposes only. This tool is made of the best quality materials. All vital components are long-life tested. All tools are warranted to be free of manufacturing defects for a period of 30 days. Should such a defect occur, Molex will repair or exchange the tool free of charge. This repair or exchange will not be applicable to altered, misused or damaged tools. This tool is designed for hand use only. Any clamping, fixturing or use of handle extensions voids this warranty.

**CAUTION:** Molex crimp specifications are valid only when used with Molex terminals and tooling.

## CAUTIONS

1. Manually powered hand tools are intended for low-volume use or field repair. This tool is **NOT** intended for production use. Repetitive use of this tool should be avoided.
2. Insulated rubber handles are not protection against electrical shock.
3. Wear eye protection at all times.
4. Use only the Molex terminals specified for crimping with this tool.

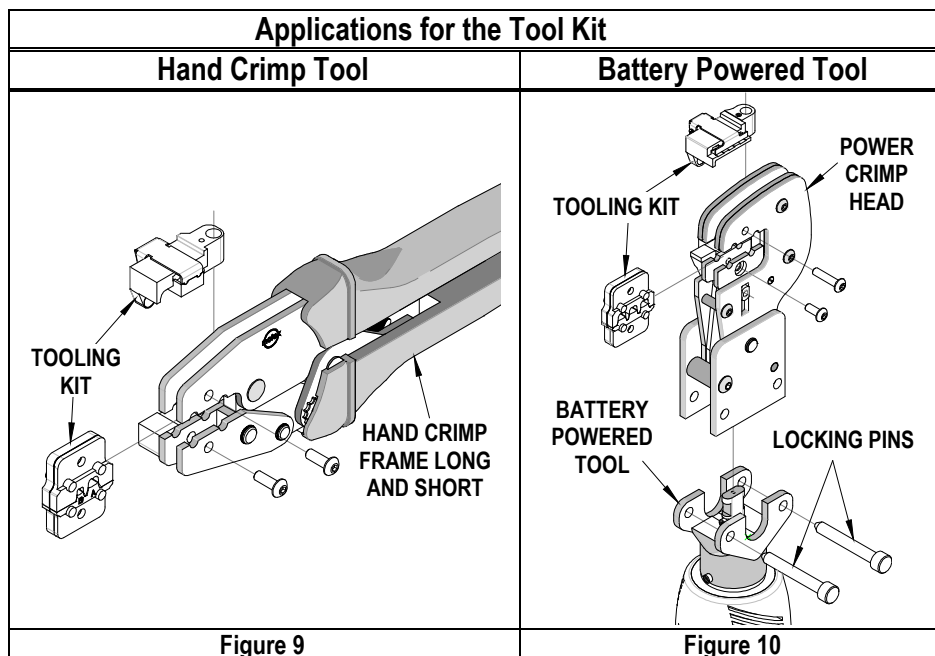
## Certification

Molex does not certify or re-certify commercial-grade hand tools but rather supplies the following guidelines for customers to re-certify hand tools:

- % This tool is qualified to pull force only. To re-certify, crimp a terminal to a wire that has been stripped 12.7mm (1/2") long so that there is no crimping of the insulation. Pull the terminal and wire at a rate no faster than 25mm (1.00") per minute. See the Molex website for the Quality Crimp Handbook for more information on pull testing.
- % If the tool does not meet minimum pull force values, handle preload should be increased, and the pull test should be rerun (see How to Adjust Preload).
- % When the hand tool is no longer capable of achieving minimum pull force, it should be taken out of service and replaced.

The chart below shows all applications for this Tool Kit.

| Tool Kit Order No. | Tool Order No. | Tool Description           | Power Head Order No. | Adapter Description | Figure No. |
|--------------------|----------------|----------------------------|----------------------|---------------------|------------|
| 63811-7570         | 63810-0100     | Hand Crimp Frame (Short)   | N/A                  | N/A                 | 9          |
|                    | 63810-0400     | Hand Crimp Frame (Long)    | N/A                  | N/A                 | 9          |
|                    | 63816-0200     | Battery Power Tool (110 V) | 63816-0300           | Power Crimp Head    | 10         |
|                    | 63816-0250     | Battery Power Tool (220 V) | 63816-0300           | Power Crimp Head    | 10         |



**WARNING:** NEVER operate service, install tool kits or adjust the power crimp head without proper instruction and without first reading and understanding the instructions in the proper manual or specification sheet. See chart above for the correct manual or specification sheet.

**WARNING:** NEVER install tooling or service this tool while it is connected to any power source. Make sure the power is turned off.

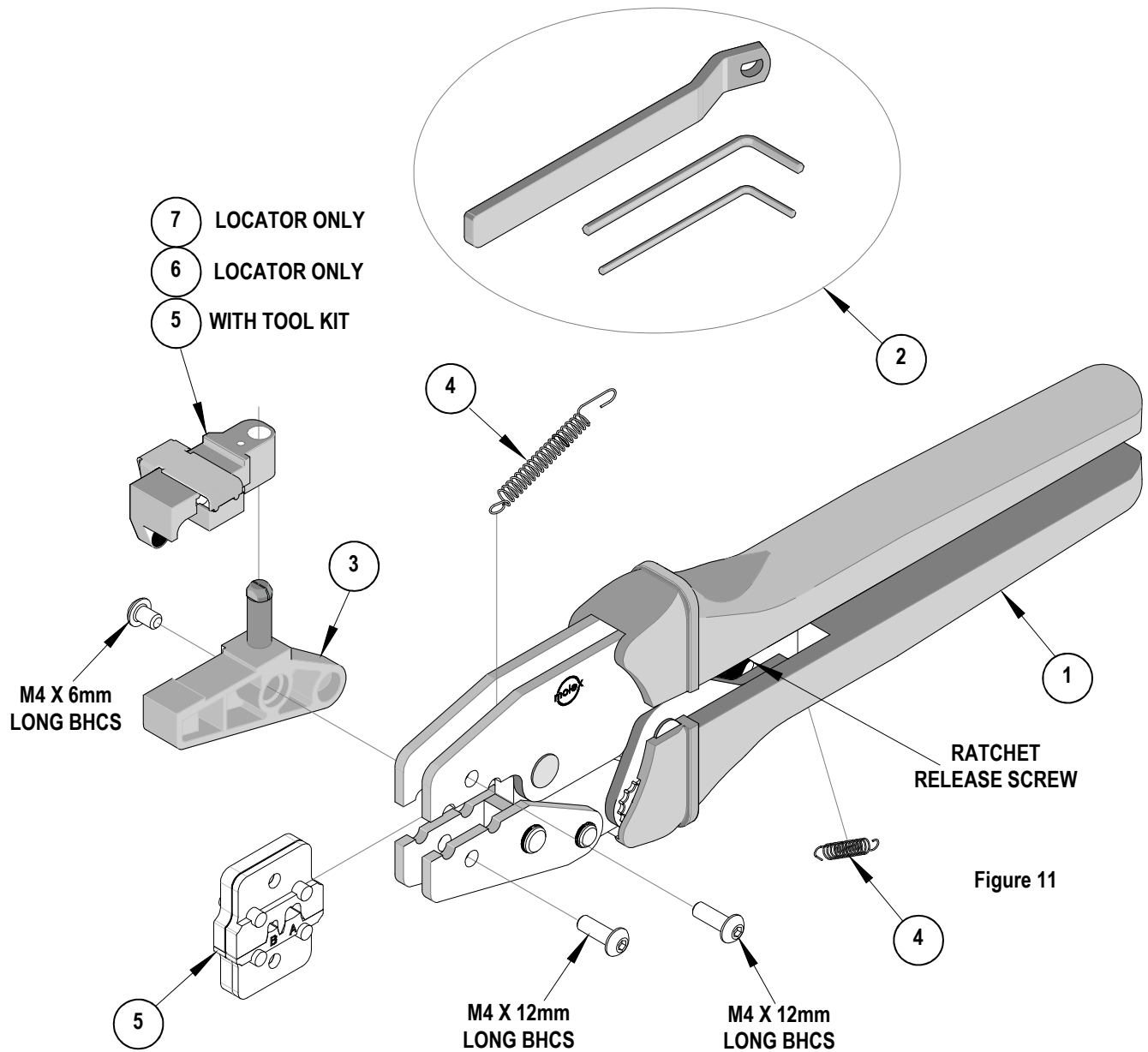
**CAUTION:** Keep fingers away from the crimping area when operating this tool. It may cause severe injury.

**CAUTION:** Wear safety glasses when operating or serving this tool.

### HAND TOOL PARTS LIST

| Item Number | Order Number | Description               | Quantity |
|-------------|--------------|---------------------------|----------|
| 1           | 63810-0100   | Hand Crimp Frame (Short)  | 1        |
| 2           | 63810-0101   | Wrench Set (Not included) | 0        |
| 3           | 63810-0102   | Locator Base              | 1        |
| 4           | 63810-0103   | Repair Kit (Not included) | 0        |
| 5           | 63811-7570   | Tool Kit with Locator     | 1        |
| 6           | 63811-7575   | *Gray Locator (only)      | REF      |
| 7           | 63811-7576   | *Black Locator (only)     | REF      |

\*Both Locators are included with hand tool



## POWER HEAD PARTS LIST

| Item | Order No.  | Engineering No. | Description      | Quantity |
|------|------------|-----------------|------------------|----------|
| 1    | 63816-0300 | 63816-0300      | Power Crimp Head | 1        |
| 2    | 63811-7570 | 63811-7570      | Tool Kit         | 1        |

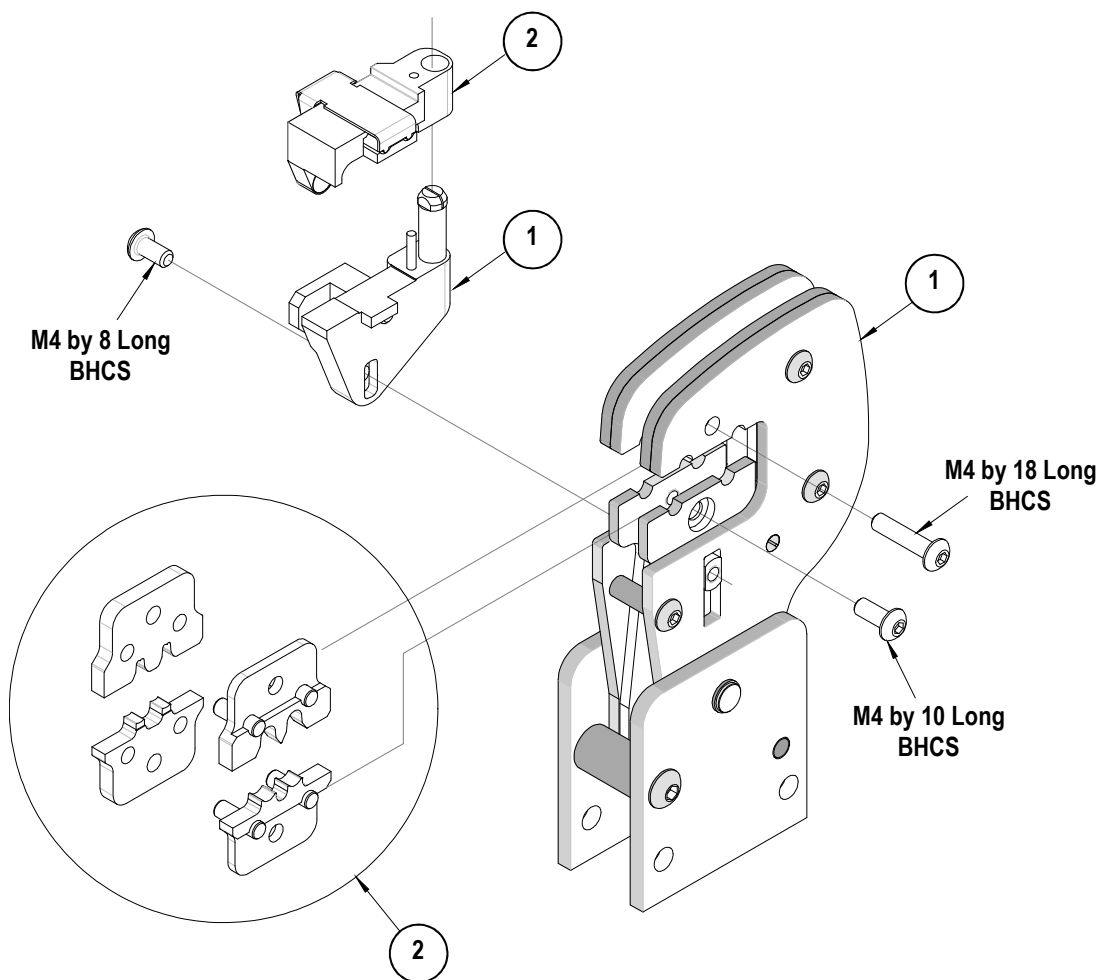


Figure 12

### Application Tooling Support

Phone: (402) 458-TOOL (8665)

E-Mail: [applicationtooling@molex.com](mailto:applicationtooling@molex.com)

Website: [www.molex.com/applicationtooling](http://www.molex.com/applicationtooling)

Molex is a registered trademark of Molex, LLC in the United States of America and may be registered in other countries; all other trademarks listed herein belong to their respective owners.