

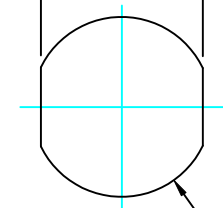
**DESCRIPTION: M8 FEMALE - PANEL MOUNT (FRONT) - SOLDER CUP - 3 POS.**

**NOTE:**

**MATERIAL**

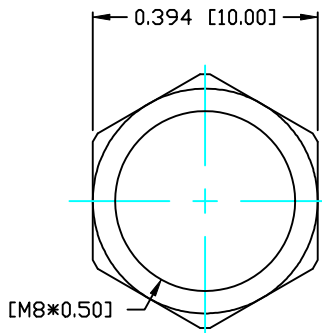
|                        |   |
|------------------------|---|
| HOUSING:               | PBT UL94V-0, BLACK                        |
| CONTACT:               | BRASS                                     |
| SHELL:                 | BRASS                                     |
| NUT:                   | BRASS                                     |
| O-RING:                | EPDM, BLACK                               |
| FINISH:                |   |
| CONTACT:               | GOLD PLATED<br>OVER 50µ" NICKEL<br>NICKEL |
| SHELL:                 |   |
| NUT:                   | NICKEL                                    |
| ELECTRICAL             |   |
| RATED CURRENT:         | 5A  |
| RATED VOLTAGE:         | 125V                                      |
| WATER PROOF:           | IP67                                      |
| ENVIRONMENT            |   |
| OPERATION TEMPERATURE: | -40°C TO +85°C                            |
| WIRE GAUGE:            | 24-28 AWG                                 |

0.284 [7.20]  
+0.004 -0.000  
[+0.10 -0.00]



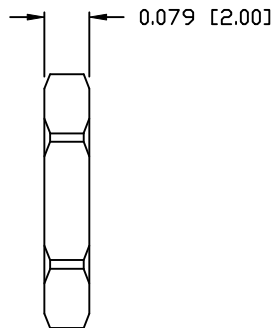
∅0.315 [∅8.00]  
+0.004 -0.000  
[+0.10 -0.00]

PANEL CUTOUT

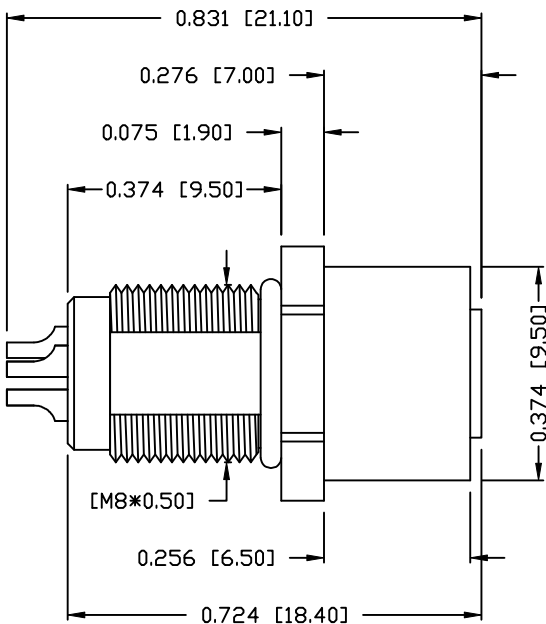


[M8\*0.50]

NUT



0.079 [2.00]



0.831 [21.10]

0.276 [7.00]

0.075 [1.90]

0.374 [9.50]

[M8\*0.50]

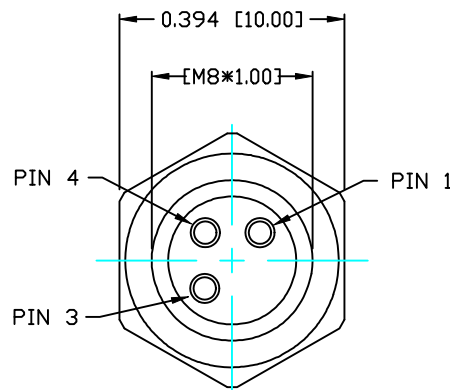
0.256 [6.50]

0.724 [18.40]

0.374 [9.50]

**855-A03-203R00Y**

1 = GOLD FLASH  
4 = 10µ" GOLD



PIN 4

PIN 1

PIN 3

0.394 [10.00]

[M8\*1.00]

**RoHS COMPLIANT**

**DO NOT SCALE FROM DRAWING**



THESE DRAWINGS AND SPECIFICATIONS ARE THE PROPERTY OF NorComp AND SHALL NOT BE REPRODUCED, COPIED OR USED AS THE BASIS FOR THE MANUFACTURE OR SALE OF APPARATUS WITHOUT WRITTEN PERMISSION.

DRAWN:  
**M. SIGMON**

DATE:  
**03-04-16**

CHECKED:

DATE:

**NorComp**

SCALE:  
N.T.S.

SHEET OF  
1 1

REV  
0

DWG NO.

**855-A03-203R00Y**