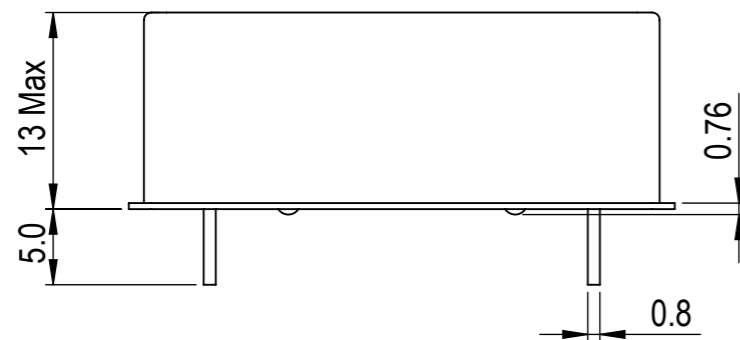
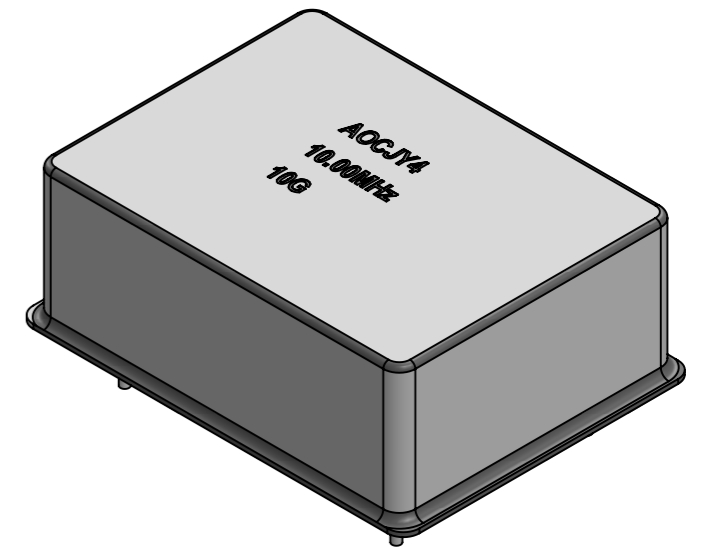
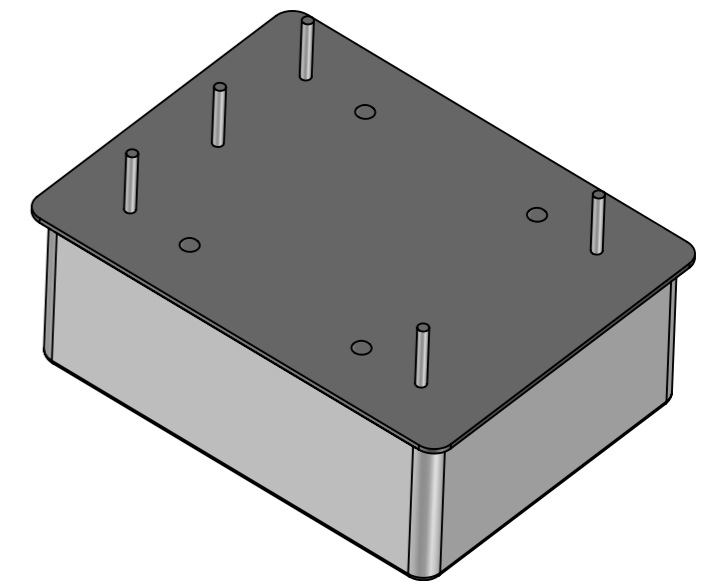



Bottom View



PIN	FUNCTION:
1	Control Voltage/NC
2	Reference Voltage/NC
3	Power Supply
4	R F OUT
5	GND



UNLESS OTHERWISE SPECIFIED: DIMENSIONS ARE IN MM SURFACE FINISH: TOLERANCES: LINEAR: ANGULAR:				FINISH:		DEBUR AND BREAK SHARP EDGES		DO NOT SCALE DRAWING		REVISION -	
DRAWN		SIGNATURE		DATE				 30332 Esperanza, Rancho Santa margarita, California 92688		TITLE: OVEN CONTROLLED CRYSTAL OSCILLATOR DWG NO. <b>AOCJY4</b>	
CHK'D											
APPV'D											
MFG											
Q.A											
				MATERIAL:				SCALE:2:1		SHEET 1 OF 1	
				WEIGHT:						A3	