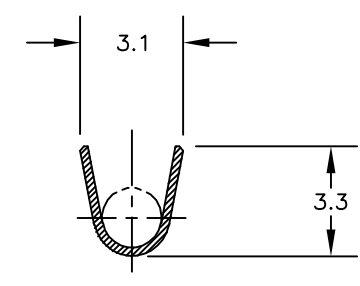
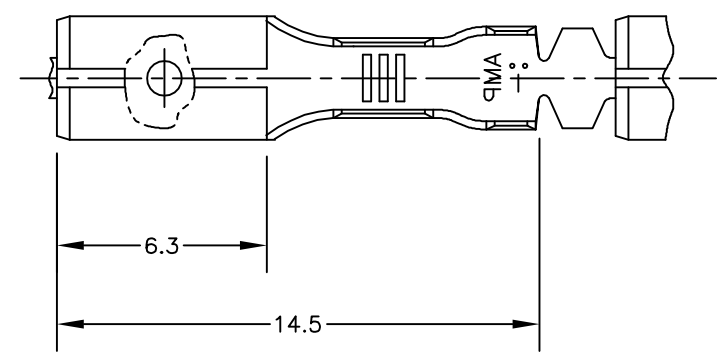


THIS DRAWING IS UNPUBLISHED. RELEASED FOR PUBLICATION
 © COPYRIGHT - By - ALL RIGHTS RESERVED.

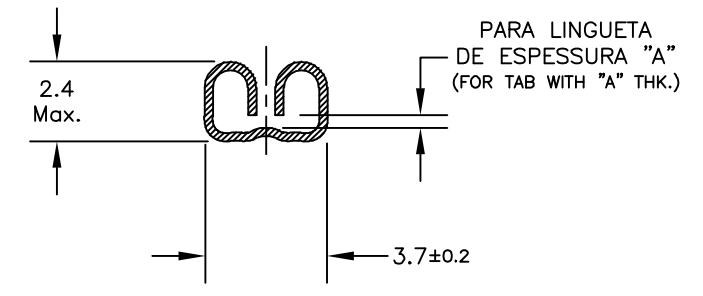
CAD
 AutoCAD
 DO NOT REVISE
 EXCEPT BY CAD

LOC AP
 DIST -

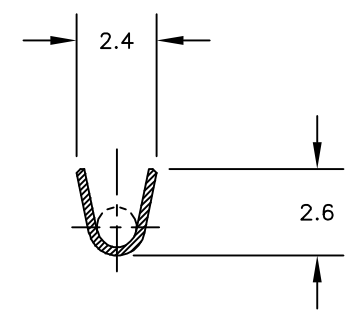
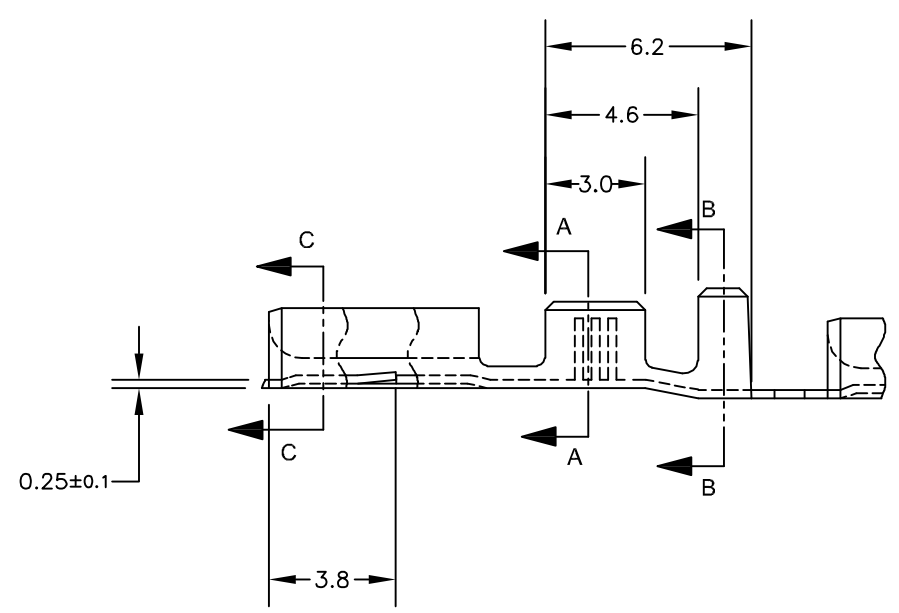
REVISIONS		REVISÃO	DESCRIPTION	DESRIÇÃO	DATE	DWN	APVD
P	LTR	LT			DATA	DES	APR
B			REVISED DESIGN	ECO-11-024642	08DEC11	NCL	GO



SECTION B-B



SECTION C-C



SECTION A-A

INS. RANGE 1,40 - 2,0 mm		WIRE RANGE 0,5 - 1,0 mm ²		0.50 ESTANHADO / TIN PLATED	LATÃO / BRASS	444149-2
				0.50 ---	LATÃO / BRASS	444149-1
				"A" FINISH	MATERIAL	PART NUMBER
THIS DRAWING IS A CONTROLLED DOCUMENT.				DWN/DES A.PERUSSI 29APR2002		
				CHK/CH P.L.FARIA 29APR2011		
				APVD/APR L.W.PRADO 29APR2002		
DIMENSIONS: DIMENSÕES mm		TOLERANCES UNLESS OTHERWISE SPECIFIED: TOLERÂNCIA NÃO ESPECIFICADAS		NAME DESRIÇÃO		
		0 PLC/DEC ± - 1 PLC/DEC ± 0,3 2 PLC/DEC ± 3 PLC/DEC ± 4 PLC/DEC ± - ANGLES/ANGULARES ± 1°		PRODUCT SPEC 108-37014		
MATERIAL SEE TABLE		FINISH ACABAMENTO SEE TABLE		APPLICATION SPEC 114-2036		
				WEIGHT -/-		SIZE A3
				CAGE CODE 00779		DRAWING NO DESENHO NO C-444149
				RESTRICTED TO -/-		
CUSTOMER DRAWING/DESENHO DE CLIENTE				SCALE ESCALA 5:1		SHEET FOLHA 1 DE 1
				REV B		