

SPECIFICATIONS

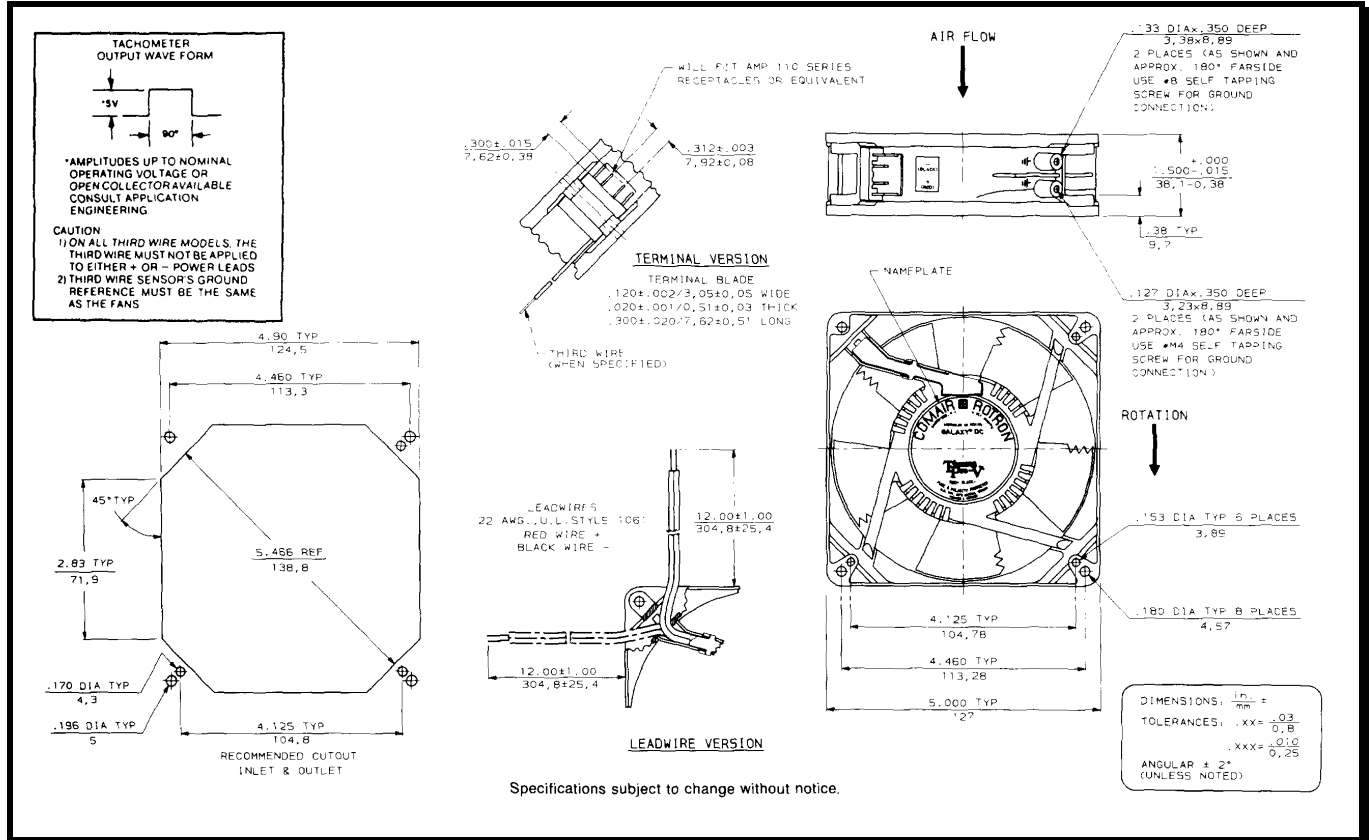
(RoHS Compliant)



Model Number: GL48B4
Part Number: 19031076A

August 5, 2

Mechanical Drawing:



Motor:

Nominal Voltage = 48 vdc
 Operating Voltage Range = 24 - 56 vdc
 Nominal Running Current = 0.310 amps
 Locked Rotor Current = 0.930 amps
 Running Power = 15.0 watts
 Average Speed = 3250 rpm
 Bearings = Ball
 Air Flow = 150 CFM
 Acoustic = 53.6 dBA

Construction:

Venturi: Die Cast Zinc, Black
 Propeller: Plastic, Black, UL 94V-0

Life Expectancy:

This fan is designed for continuous duty life of 82,500 hours at 50°C.

Additional Features:

Brushless DC Motor
 Automatic Restart Capability
 Polarity Protected
 Locked Rotor Protection
 Operating Temperature: -10°C to 70°C
 Storage Temperature: -40°C to 85°C

Termination:

2 Terminals

Agency Approvals:

UL, CE