

NOT BEING THE IMPORTER. RELEASED FOR PUBLICATION
 © COPYRIGHT 2007 ALL RIGHTS RESERVED

LOC	DATE	REVISIONS	DATE	BY	APP
A1	-	SEE SHEET 1			

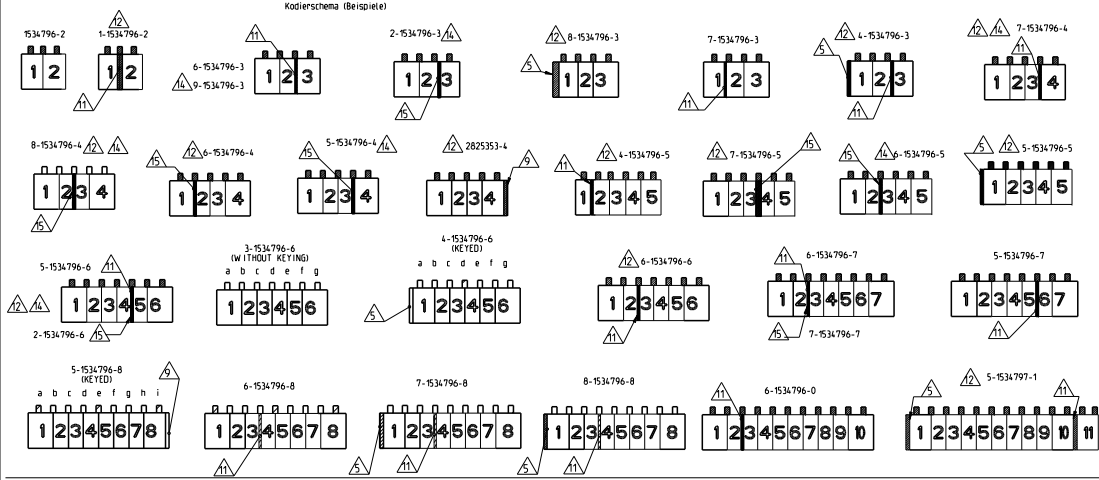
	12	27.5	32.4				11/12		5-1534797-2	
	11	25	29.9				10/11		6-1534797-1	
	9	20	24.9				4/5		2-1534796-9	
	5	10	14.9				4/5		8-1534796-5	
COLOR CODE	POS.	DIM A	DIM B							
				KEYING	KEYING	KEYING	KEYING	KEYING	KEYING	PART No.

THIS DRAWING IS A CONTROLLED DOCUMENT.		DATE: 2/24/2007	BY: J. Karabiyik	2/24/2007
DRAWN BY: C. Schnabel		DATE: 2/24/2007	BY: C. Schnabel	2/24/2007
CHECKED BY: T. Klennner		DATE: 2/24/2007	BY: T. Klennner	2/24/2007
PRODUCT SPEC: 108-10785		NAME: AMP DUOPLUG 2.5 MARK II FEMALE CONNECTOR 2-20 POSITION		
APPLICATION SPEC: 114-18467		DRAWING NO: 00779		
MATERIAL: -		FINISH: -		RESTRICTED TO: -
SCALE: 10:1		SHEET: 2 of 4		FIG: 34
Customer Drawing				

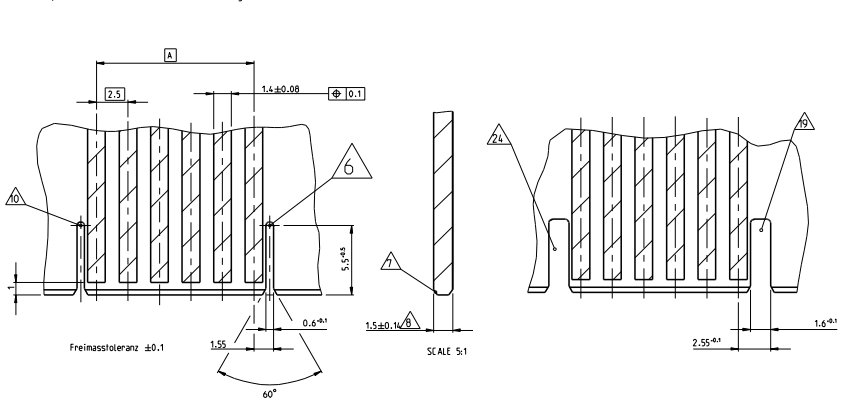
LOC	DATE	REV	DESCRIPTION	DATE	BY	APP
AI	-	-	SEE SHEET 1	-	-	-

KEYING PLAN (EXAMPLES)

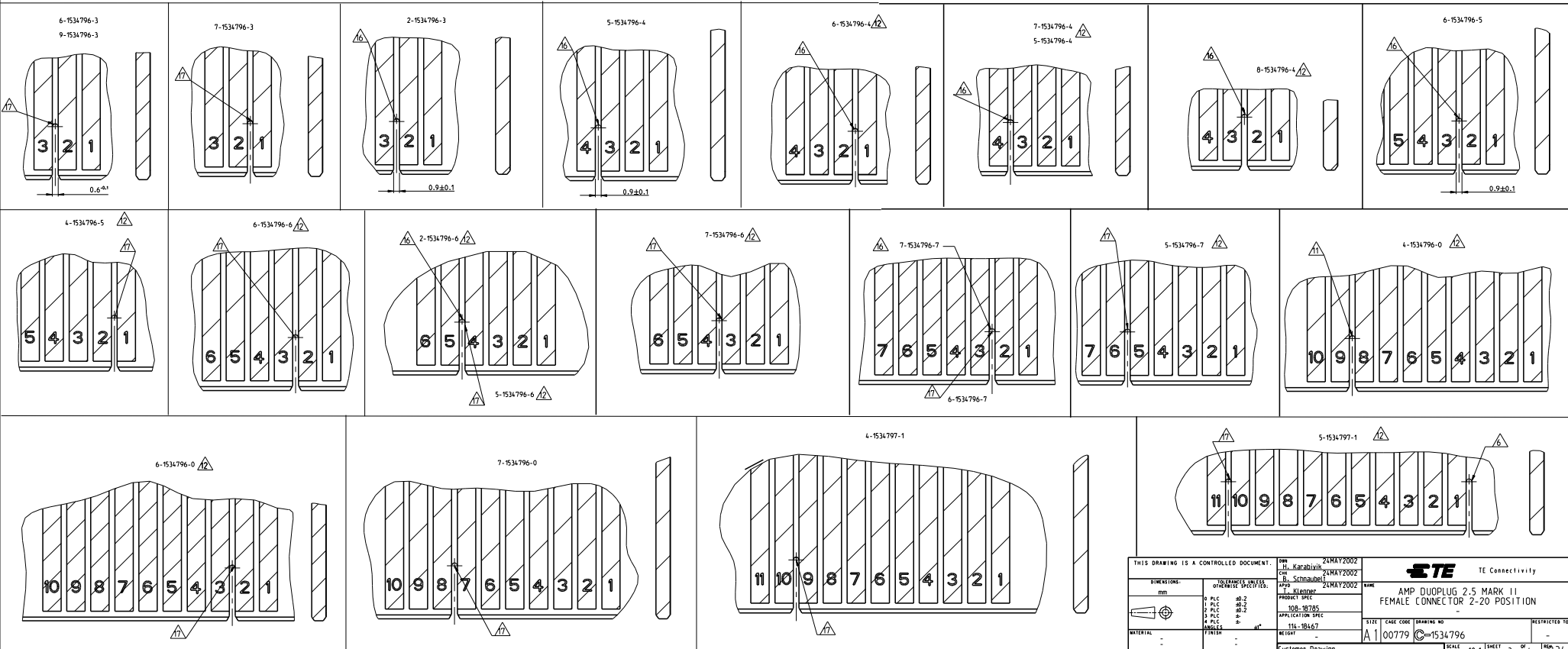
Kodierschema (Beispiele)



PCB LAYOUT KEYED / CONNECTED ONLY WITH ADDITIONAL FRAME



PCB LAYOUT FOR KEYING BETWEEN POSITION



THIS DRAWING IS A CONTROLLED DOCUMENT.

DESIGNER: J. Karabizik	DATE: 20040202
CHECKED: R. Schaubert	DATE: 20040202
APPROVED: J. Klenner	DATE: 20040202
PRODUCT SPEC: 100-30785	APPLICATION SPEC: 11-18467
MATERIAL: -	FINISH: -
WEIGHT: -	REMARKS: -

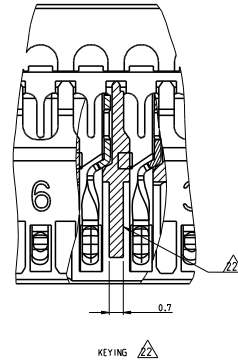
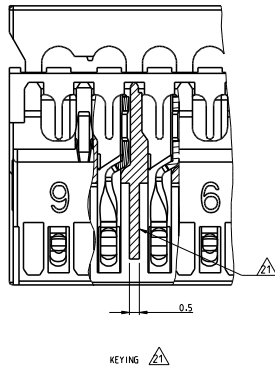
Customer Drawing

TE Connectivity
 AMP DUOPLUG 2.5 MARK 11
 FEMALE CONNECTOR 2-20 POSITION

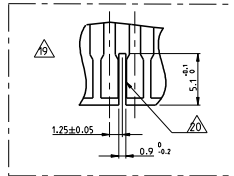
SHEET: 1 CASE CODE: 00779 DRAWING NO: 1534796
 RESTRICTED TO: -

SCALE: 10:1 SHEET: 3 OF 4

LOC	DATE	REVISIONS	DATE	BY	APP
A1	-	SEE SHEET 1	-	-	-



- △ KEYING, SPECIAL THICK, BETWEEN POSITION
- △ KEYING, SPECIAL THIN, BETWEEN POSITION
- △ SLOT FOR KEYING SPECIAL, BETWEEN POSITION
- △ RECOMMENDED PCB CUTOFF DIMENSION FOR THE KEYING SPECIAL, BETWEEN POSITION



GW T 750C AND UL V0 VERSION									
Blue	8	17.5	22.4	-	-	-	-	2-2304525-8	△
	8	17.5	22.4	-	-	-	-	1-2304525-8	△
Brown	8	17.5	22.4	-	-	-	2/3	2304525-8	△
	7	15	19.9	-	-	-	-	2304525-7	△
Black	6	12.5	17.4	-	-	-	-	4-2304525-6	△
Red	6	12.5	17.4	-	-	-	2/3	2-2304525-6	△
	6	12.5	17.4	-	-	-	-	1-2304525-6	△
Blue	6	12.5	17.4	-	-	-	4/5	2304525-6	△
	5	10	14.9	-	-	-	-	3-2304525-5	△
Green	5	10	14.9	-	-	-	3/4	2-2304525-5	△
Brown	5	10	14.9	-	-	-	2/3	1-2304525-5	△
	5	10	14.9	-	-	-	-	2304525-5	△
Blue	4	7.5	12.4	-	-	-	-	3-2304525-4	△
	4	7.5	12.4	-	-	-	-	2-2304525-4	△
Brown	4	7.5	12.4	-	-	-	1/2	1-2304525-4	△
Black	4	7.5	12.4	-	-	-	3/4	2304525-4	△
	3	5	9.9	-	-	-	-	1-2304525-3	△
Black	3	5	9.9	-	-	1/2	-	2304525-3	△
Color Code △	POS. Polzahl	DIM A	DIM B	KEYING △	KEYING △	KEYING △	KEYING △	PN Bestell-Nr.	

THIS DRAWING IS A CONTROLLED DOCUMENT.

DIMENSIONAL UNIT: mm	DESIGNED BY: J. Karabizik	DATE: 20MAR2002	TE Connectivity
	DRAWN BY: J. Karabizik	DATE: 20MAR2002	
	CHECKED BY: R. Schaubel	DATE: 20MAR2002	
	APPROVED BY: J. Karabizik	DATE: 20MAR2002	
	PRODUCT SPEC: POS-30785		
	APPLICATION SPEC: 15-18467		
MATERIAL: -	FINISH: -	HEIGHT: -	RESTRICTED TO: -
		Customer Drawing	

SCALE: 10:1 SHEET: 4 OF 4