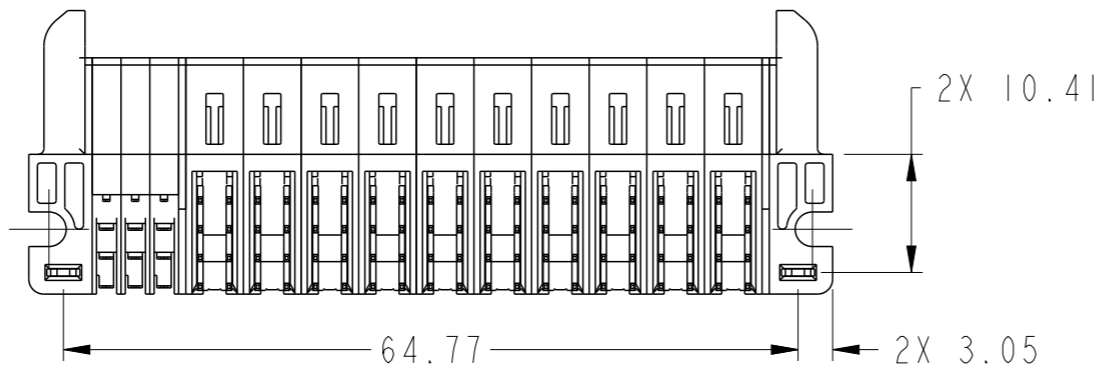
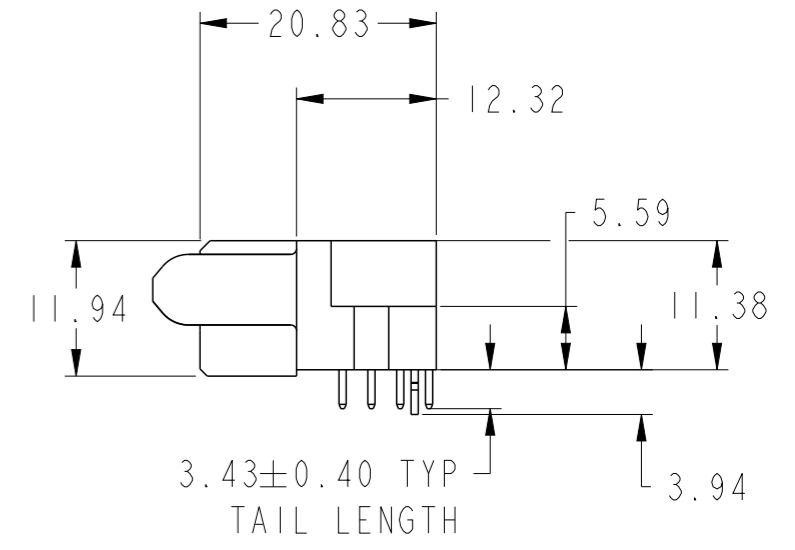
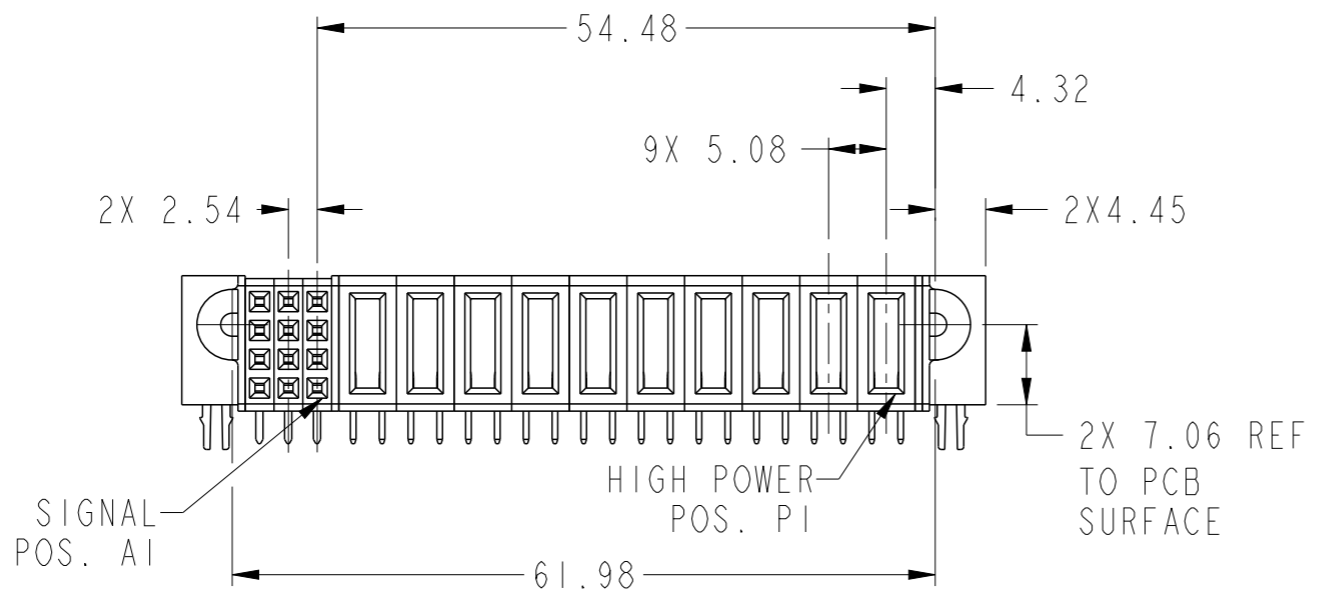
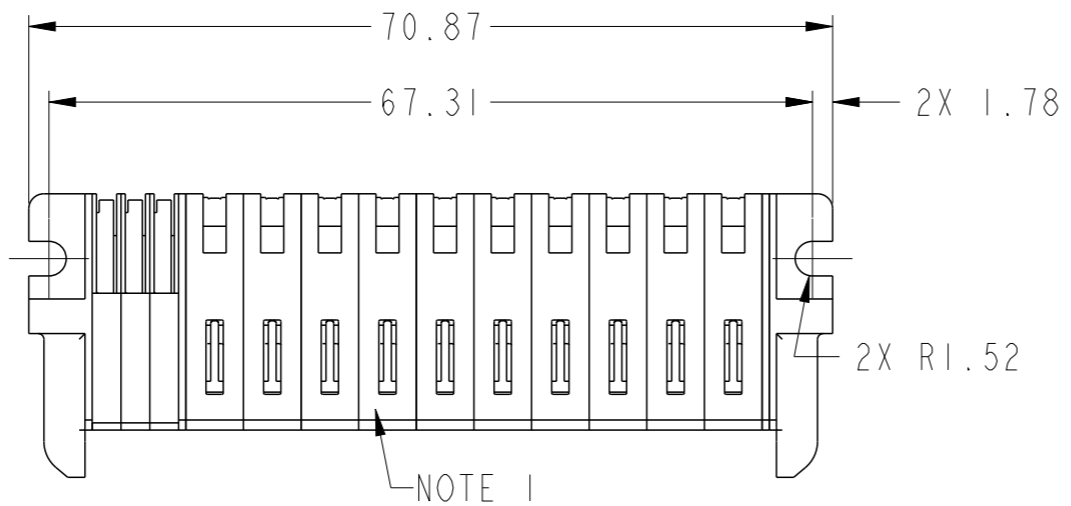
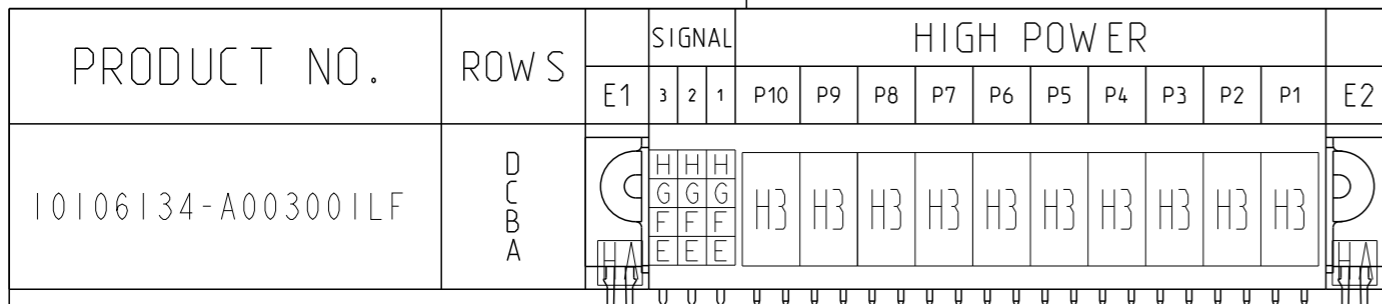


PRODUCT NUMBER SEE SHEET 2

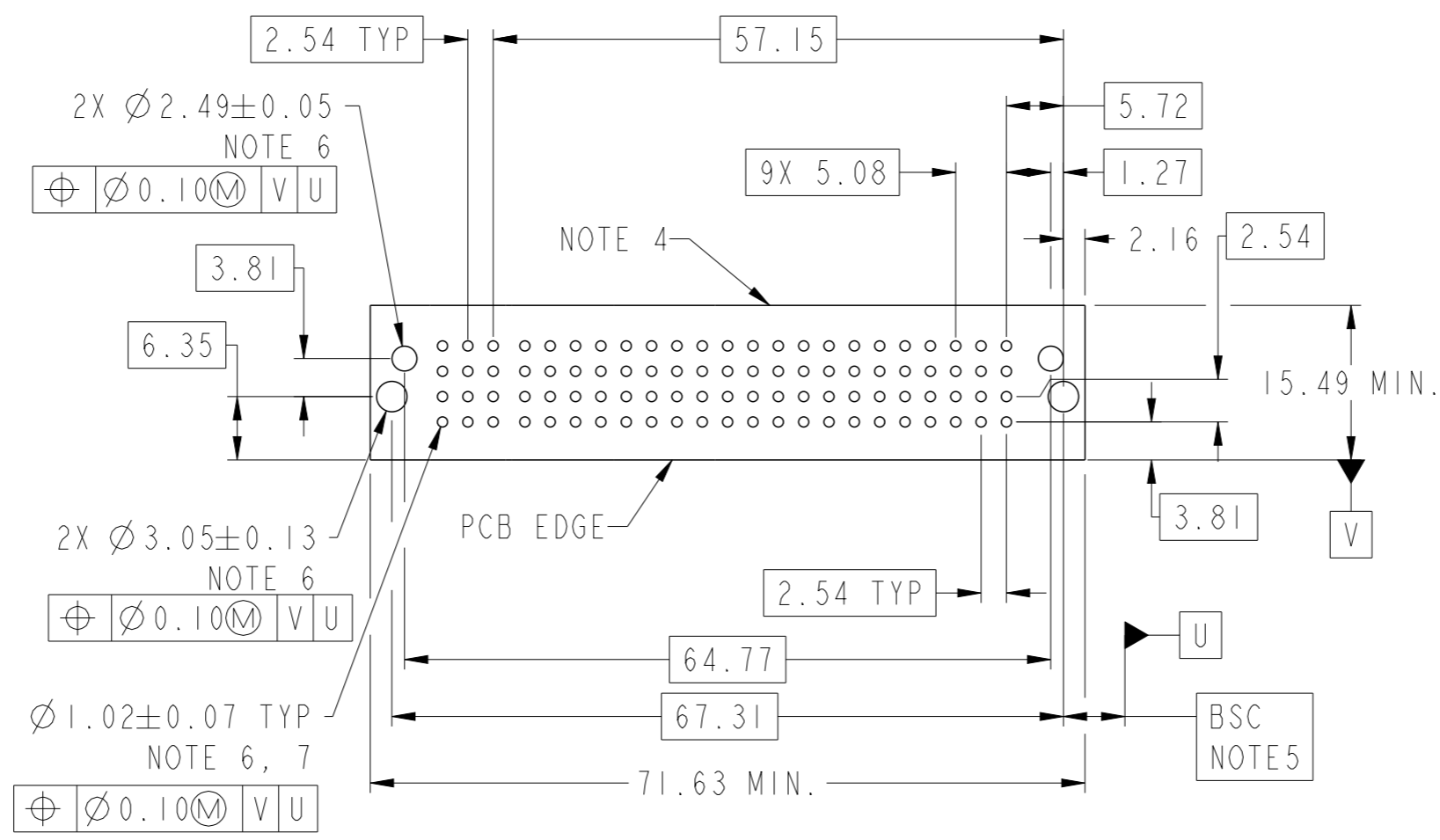


Copyright FCI.

spec ref	*	dr	Peng-Bing Fu	2013/04/10	projection	MM	size	A3	scale	3:2													
tolerance std	ASME Y14.5	eng	Peng-Bing Fu	2013/05/07			ecn no	-	rel level	Released													
TOLERANCES UNLESS OTHERWISE SPECIFIED		chr	-	-																			
surface	<table border="1"> <tr> <td>linear</td> <td>0.X</td> <td>±0.5</td> </tr> <tr> <td></td> <td>0.XX</td> <td>±0.25</td> </tr> <tr> <td></td> <td>0.XXX</td> <td>±0.10</td> </tr> <tr> <td>angular</td> <td>0°</td> <td>±2°</td> </tr> </table>	linear	0.X	±0.5		0.XX	±0.25		0.XXX	±0.10	angular	0°	±2°	appr	Pei-Ming Zheng	2013/05/07	product family	PwrBlade+	rel level	Released			
linear	0.X	±0.5																					
	0.XX	±0.25																					
	0.XXX	±0.10																					
angular	0°	±2°																					
ASME Y14.5	<table border="1"> <tr> <td>linear</td> <td>0.X</td> <td>±0.5</td> </tr> <tr> <td></td> <td>0.XX</td> <td>±0.25</td> </tr> <tr> <td></td> <td>0.XXX</td> <td>±0.10</td> </tr> <tr> <td>angular</td> <td>0°</td> <td>±2°</td> </tr> </table>	linear	0.X	±0.5		0.XX	±0.25		0.XXX	±0.10	angular	0°	±2°			title	10HDP + 12S		dwg no	10106134-A003001		rev	A
linear	0.X	±0.5																					
	0.XX	±0.25																					
	0.XXX	±0.10																					
angular	0°	±2°																					
		www.fci.com		cat. no.	Product - Customer Drw		sheet 1 of 3																



CODE	DESCRIPTION
E	STD SIGNAL CONTACT, ROW A
F	STD SIGNAL CONTACT, ROW B
G	STD SIGNAL CONTACT, ROW C
H	STD SIGNAL CONTACT, ROW D
H3	STD HIGH POWER CONTACT(3.43)
HA	METAL HOLD DOWN



Copyright FCI.

dr	Peng-Bing Fu	2013/04/10	projection	MM	size	A3	scale	3:2
eng	Peng-Bing Fu	2013/05/07			ecn no			
chr	-	-			-			
appr	Pei-Ming Zheng	2013/05/07	product family	PwrBlade+	rel level		Released	
		title			10HDP + 12S		rev	
www.fci.com		cat. no.			10106134-A003001		A	
Product - Customer Drw				sheet 2 of 3				

NOTES:

- 1) "FCI", PART NUMBER AND DATE CODE TO BE MARKED ON THIS SURFACE.
THE P/N CAN BE OMITTED IF THERE IS NOT ENOUGH SPACE ON THIS SURFACE.
- 2) MATERIALS:
-HOUSING - GLASS FILLED WITH HIGH TEMP THERMOPLASTIC, UL94V-0.
-SIGNAL CONTACT - COPPER ALLOY.
-POWER CONTACT - HIGH CONDUCTIVITY COPPER ALLOY.
- 3) PLATING SPECIFICATION REFER TO FCI 10116351
- 4) DENOTES CONNECTOR KEEP OUT ZONE.
- 5) DATUM AND BASIC DIMENIONS WERE ESTABLISHED BY CUSTOMER.
- 6) ALL HOLE DIAMETERS ARE FINISHED HOLE SIZES.
- 7) 1.15 ± 0.025 MM DRILLED HOLE PLATED WITH 0.00762MM MIN Sn
OVER 0.0254-0.0762MM Cu PLATING TO ACHIEVE A 1.02 ± 0.07 MM HOLE.
- 8) PRODUCT SPECIFICATION REFER TO FCI GS-12-658.
APPLICATION SPECIFICATION REFER TO FCI GS-20-141.
PRODUCT PACKAGED IN TRAYS, REFER TO FCI GS-14-1502.



Copyright FCI.

dr	Peng-Bing Fu	2013/04/10	projection 	MM 	size	A3	scale	3:2
eng	Peng-Bing Fu	2013/05/07			ecn no	-		
chr	-	-			rel level	Released		
appr	Pei-Ming Zheng	2013/05/07	product family	PwrBlade+				
		title 10HDP + 12S RA STB RECEPTACLE		dwg no 10106134-A003001	rev A			
www.fci.com		cat. no.	Product - Customer Drw		sheet 3 of 3			