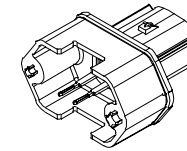
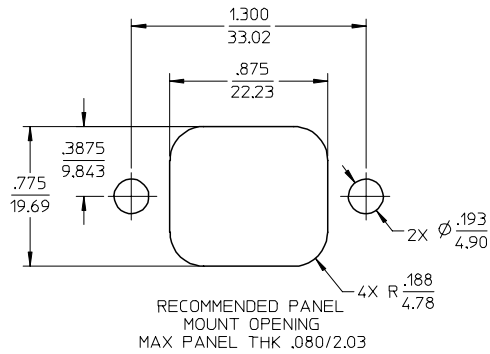
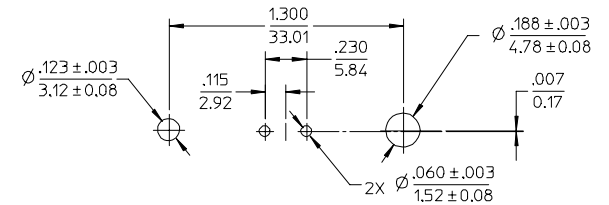
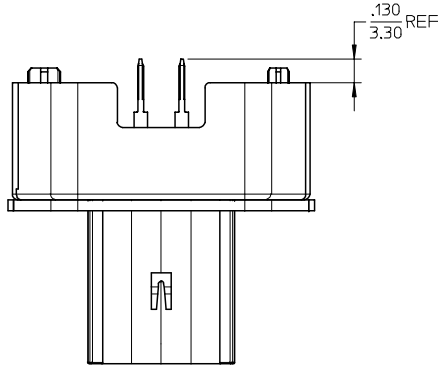


MATERIAL NUMBER	TERMINAL FINISH	TERMINAL PIN POTTING
19428-0007	TIN	NO
19428-0017	TIN/GOLD	
19428-0038	TIN	YES
19428-0039	TIN/GOLD	

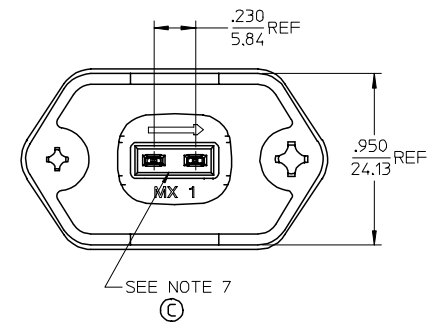
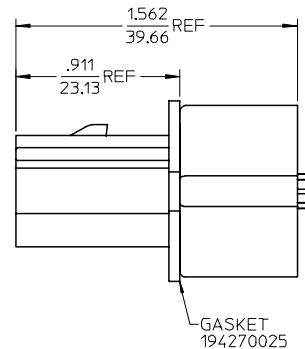
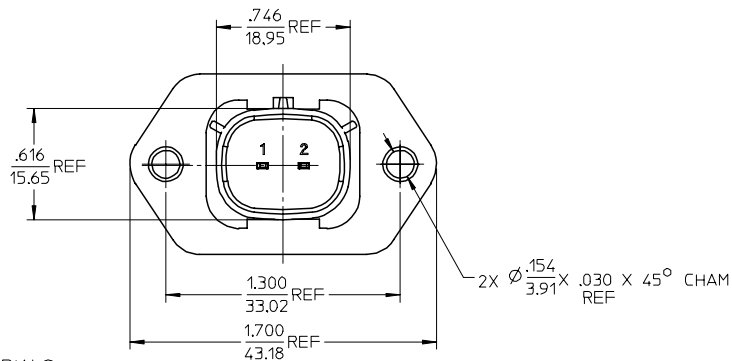
Ⓢ



ASSEMBLED VIEW  
SCALE 1:1



RECOMMENDED PCB LAYOUT  
COMPONENT SIDE



NOTES:

- MATERIALS:  
HOUSING: POLYESTER (PBT), GLASS FILLED, UL94 V-0.  
COLOR: BLACK  
TERMINALS: COPPER ALLOY  
TERMINAL POTTING AS APPLICABLE: ELASTOMERIC SILICONE
- FINISHES: 1. TIN ONLY: 100µIN TIN OVER 50µIN NICKEL  
2. TIN/GOLD: 30µIN SELECT GOLD (CONTACT MATING AREA),  
100µIN SELECT TIN (PCB TAIL AREA) OVER 50µIN NICKEL OVERALL
- PRODUCT SPECIFICATION: PS-19428-001.
- PACKAGING SPECIFICATION: PK-19428-001.
- MATES WITH: 19418 SERIES RECEPTACLE ASSEMBLIES.
- RECOMMENDED MOUNTING HARDWARE: (2) #10 X .62/18.9 LONG PLASTIC THREAD CUTTING SCREWS. RECOMMENDED TORQUE 15-17 IN-LBS. SUGGESTED SOURCE: ITW SHAKEPROOF INDUSTRIAL BOSSCREW OR EQUIVALENT.
- ELASTOMERIC SILICONE APPLIED IN TERMINAL WELLS, SEE CHART.
- ASSEMBLY IS ROHS COMPLIANT.

REV	DESCRIPTION	QUALITY SYMBOLS	GENERAL TOLERANCES (UNLESS SPECIFIED)		DIMENSION STYLE		SCALE	DESIGN UNITS	THIRD ANGLE PROJECTION
			mm	INCH	IN/MM	DATE			
			4 PLACES	± .005	± .005		DRAWN BY	DATE	TITLE
			3 PLACES	± .015	± .015		CHECKED BY	DATE	
			2 PLACES	± 0.38	± .015		JPAWLICK	04/06/25	
			1 PLACE	± .015	± .015		APPROVED BY	DATE	
			ANGULAR ± 1 °				RDEROSS	04/06/25	
			DRAFT WHERE APPLICABLE MUST REMAIN WITHIN DIMENSIONS				MATERIAL NO.		DOCUMENT NO.
							SEE CHART		SD-19428-009
							THIS DRAWING CONTAINS INFORMATION THAT IS PROPRIETARY TO MOLEX INCORPORATED AND SHOULD NOT BE USED WITHOUT WRITTEN PERMISSION		SHEET NO. 1 OF 1