

Evaluating the ADP1607 2 MHz, Synchronous Boost, DC-to-DC Converter

FEATURES

- 0.8 V to V_{OUT} input voltage range**
- Low 0.9 V input start-up voltage**
- Fixed 2 MHz PWM and light load PFM mode options**
 - Auto PFM/PWM transition modes (**ADP1607-EVALZ**)
 - PWM mode only (**ADP1607-001-EVALZ**)
- 3.3 V output voltage**
- Jumper for enable/shutdown control**
- R1 and R2 selected for $V_{OUT} = 3.3$ V output voltages**

GENERAL DESCRIPTION

The **ADP1607** evaluation board is a complete step-up, dc-to-dc switching converter application with components selected to allow operation over the full input voltage and load ranges for $V_{OUT} = 3.3$ V. The boost converter is set to transition automatically between PFM and PFM (**ADP1607-EVALZ**) or fixed to operate in PWM mode only (**ADP1607-001-EVALZ**). The evaluation boards can be adjusted for different output voltages by changing the feedback resistors, R1 and R2.

The **ADP1607** is a high efficiency, synchronous, fixed frequency, step-up dc-to-dc switching converter with an adjustable output voltage between 1.8 V and 3.3 V for use in portable applications.

The 2 MHz operating frequency enables the use of small footprint, low profile external components. Additionally, the synchronous rectification, internal compensation, internal fixed current limit, and current mode architecture allow for excellent transient response and a minimal external part count. Other key features include fixed PWM and light load PFM mode options, true output isolation, thermal shutdown (TSD), and logic controlled enable.

This user guide includes I/O descriptions, setup instructions, and the schematic and PCB layout drawings for the **ADP1607** step-up converter evaluation board.

Complete specifications for the **ADP1607** are available in the **ADP1607** data sheet and should be consulted in conjunction with this document when using the evaluation board.

TYPICAL APPLICATION CIRCUIT

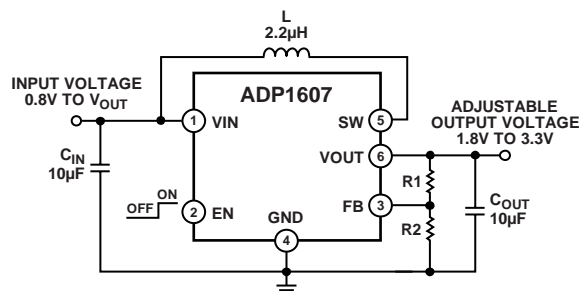


Figure 1. Step-Up Regulator Configuration

11089-001

TABLE OF CONTENTS

Features	1	Evaluation Setup.....	3
General Description	1	Performance Evaluation	3
Typical Application Circuit	1	Evaluation Board Schematic and Layout.....	4
Revision History	2	Layout Guidelines.....	4
Evaluation Board Hardware.....	3	Ordering Information.....	5
Input/Output Connectors	3	Bill of Materials.....	5

REVISION HISTORY

11/12—Revision 0: Initial Version

EVALUATION BOARD HARDWARE

The [ADP1607](#) evaluation board is fully assembled and tested. The following sections describe the various connectors on the board, the proper evaluation setup, and the testing capabilities of the evaluation board.

INPUT/OUTPUT CONNECTORS

EN Test Bus

The EN connector is used to enable/disable the converter via the EN pin. Use one of the following methods to enable the converter. Do not leave the EN pin floating.

- Use a jumper to connect the top two pins of the EN test bus. This connects EN to VIN and enables the converter (see Figure 2).

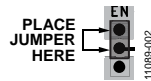


Figure 2. Enabled Jumper Position

- Use a jumper to connect the bottom two pins of the EN test bus. This connects EN to GND and disables the converter (see Figure 3).

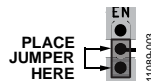


Figure 3. Disabled Jumper Position

- Alternatively, connect a voltage between VIN and GND to the center pin of the EN test bus for independent control of the EN pin voltage (see Figure 4).



Figure 4. EN Pin Direct Connection

VIN Test Bus

The VIN test bus connects the positive input supply voltage to the VIN pin. Connect the power supply to this bus and keep the wires as short as possible to minimize EMI transmissions.

SW Test Point

The SW test point is for monitoring the switch node (SW pin) behavior and switching frequency. Connect a BNC cable to this test point to measure the [ADP1607](#) switching frequency.

VOUT Test Bus

The output voltage at the VOUT test bus is set by the resistive voltage divider network, R1 and R2. A load can be attached from the VOUT test bus to the GND test bus.

GND Test Bus

The GND test bus is the power ground connection for the part via the GND pin as well as the bypass capacitors. Connect ground connections from external equipment to this bus.

EVALUATION SETUP

To ensure proper operation of the [ADP1607](#) evaluation board:

- Connect the input supply ground to GND.
- Connect the positive input supply to VIN.
- Connect the desired load between VOUT and GND. The maximum continuous output current of the [ADP1607](#) is dependent upon the input and output voltage conditions.
- Apply a voltage between 0.9 V and V_{OUT} to the VIN test bus.
- Move the jumper on the EN test bus to the enabled position.

PERFORMANCE EVALUATION

The following sections discuss tests and the resulting oscilloscope waveforms. Oscilloscope waveforms and typical performance characteristics are provided in the [ADP1607](#) data sheet.

Line Regulation

The line regulation is observed and measured by monitoring the output voltage (VOUT) while varying the input voltage (VIN).

Load Regulation

The load regulation is observed and measured by monitoring the output voltage (VOUT) while sweeping the applied load between VOUT and GND. To minimize voltage drop, use short low resistance wires, especially for heavy loads.

Efficiency

The efficiency, η , is measured by comparing the input power to the output power.

$$\eta = \frac{V_{OUT} \times I_{OUT}}{V_{IN} \times I_{IN}}$$

Line Transient

The line transient performance is evaluated by generating a high speed voltage transient on the input (VIN) and observing the behavior of the evaluation board at the output (VOUT).

Load Transient

The load transient performance is evaluated by generating a fast current transient on the output (VOUT) and observing the behavior of the evaluation board at the output (VOUT).

Oscillator Frequency

The oscillator frequency can be measured by connecting an oscilloscope to the SW pin.

Inductor Current

The inductor current is made accessible by removing one side of the inductor from its pad and connecting a current loop in series. Place an oscilloscope current probe on the loop to view the current waveform.

EVALUATION BOARD SCHEMATIC AND LAYOUT

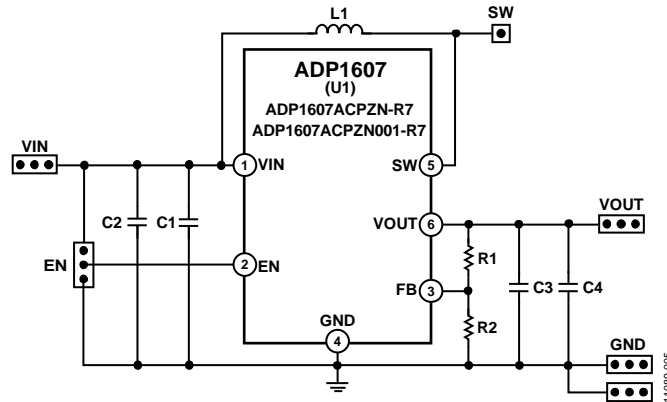


Figure 5. ADP1607 Boost Application Evaluation Board Schematic

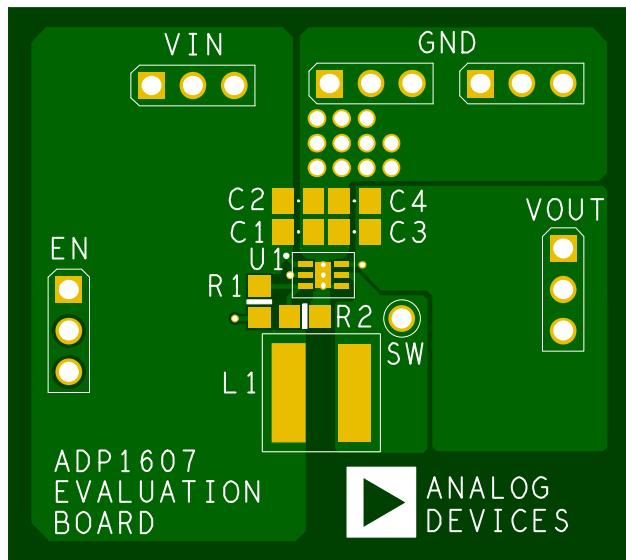


Figure 6. ADP1607 Boost Application Printed Circuit Board (PCB) Top Layer

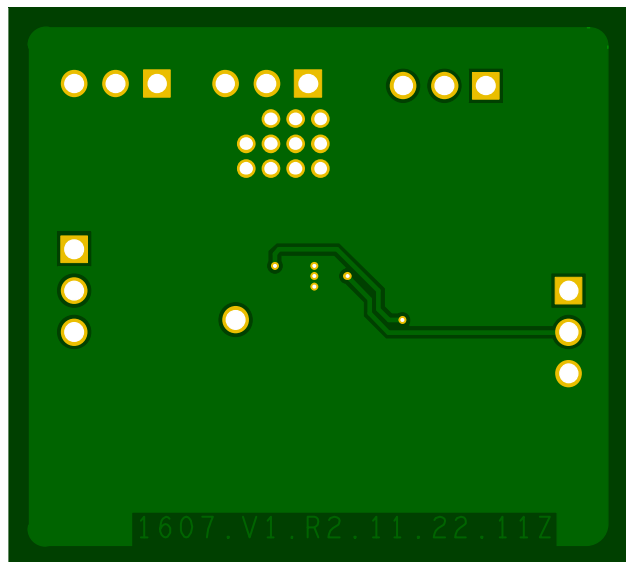


Figure 7. ADP1607 Boost Application PCB Bottom Layer

LAYOUT GUIDELINES

For high efficiency, good regulation, and stability, a well-designed printed circuit board layout is required.

Use the following guidelines when designing printed circuit boards.

- Keep the low ESR input capacitor, C1, close to VIN and GND. This minimizes noise injected into the part from board parasitic inductance.
- Keep the high current path from C1 through the L1 inductor to SW as short as possible.
- Place the feedback resistors, R1 and R2, as close to FB as possible to prevent noise pickup. Connect the ground of the feedback network directly to an AGND plane that makes a Kelvin connection to the GND pin.
- Avoid routing high impedance traces from feedback resistors near any node connected to SW or near the inductor to prevent radiated noise injection.
- Keep the low ESR output capacitor, C3, close to VOUT and GND. This minimizes noise injected into the part from board parasitic inductance.
- Connect Pin 7 (EPAD) and GND to a large copper plane for proper heat dissipation.

ORDERING INFORMATION

BILL OF MATERIALS

Table 1. **ADP1607-EVALZ** (Automatic PFM/PWM Switching Modes, $V_{OUT} = 3.3\text{ V}$)

Qty	Reference Designator	Description	Manufacturer ¹	Part Number
1	U1	ADP1607 automatic PFM/PWM switching modes	Analog Devices, Inc.	ADP1607 ACPZN-R7
1	L1	Inductor, 2.2 μH , 1.26 A	TDK	VLF302512MT-2R2M
1	C1	Input capacitor, 10 μF , 10 V, 0603, $\pm 20\%$	Taiyo Yuden	LMK107BJ106MALTD
1	C2	Input capacitor	Open	
1	C3	Output capacitor, 10 μF , 10 V, 0603, $\pm 20\%$	Taiyo Yuden	LMK107BJ106MALTD
1	C4	Output capacitor	Open	
1	R1	Output voltage divider top resistor, 392 $\text{k}\Omega$, $\pm 1\%$	Vishay Dale	CRCW0805392KFKEA
1	R2	Output voltage divider bottom resistor, 243 $\text{k}\Omega$, $\pm 1\%$	Vishay Dale	CRCW0805243KFKEA
1	EN	Headers, 0.100 in, single, straight, 3-pin	Sullins Connector Solutions	PBC03SAAN ²
1	SW	Headers, 0.100 in, single, straight, 1-pin	Sullins Connector Solutions	PBC01SAAN ²
4	VIN, VOUT, GND (2)	Test point loop connectors	Aavid Thermalloy	125800D00000G

¹ Equivalent substitutions may be made for all resistors and capacitors.

² Alternatively, PBC36SAAN can be purchased and cut as necessary.

Table 2. **ADP1607-001-EVALZ** (PWM Mode Only, $V_{OUT} = 3.3\text{ V}$)

Qty	Reference Designator	Description	Manufacturer ¹	Part Number
1	U1	ADP1607 PWM mode only	Analog Devices, Inc.	ADP1607 ACPZN001-R7
1	L1	Inductor, 2.2 μH , 1.26 A	TDK	VLF302512MT-2R2M
1	C1	Input capacitor, 10 μF , 10 V, 0603, $\pm 20\%$	Taiyo Yuden	LMK107BJ106MALTD
1	C2	Input capacitor	Open	
1	C3	Output capacitor, 10 μF , 10 V, 0603, $\pm 20\%$	Taiyo Yuden	LMK107BJ106MALTD
1	C4	Output capacitor	Open	
1	R1	Output voltage divider top resistor, 392 $\text{k}\Omega$, $\pm 1\%$	Vishay Dale	CRCW0805392KFKEA
1	R2	Output voltage divider bottom resistor, 243 $\text{k}\Omega$, $\pm 1\%$	Vishay Dale	CRCW0805243KFKEA
1	EN	Headers, 0.100 in, single, straight, 3-pin	Sullins Connector Solutions	PBC03SAAN ²
1	SW	Headers, 0.100 in, single, straight, 1-pin	Sullins Connector Solutions	PBC01SAAN ²
4	VIN, VOUT, GND (2)	Test point loop connectors	Aavid Thermalloy	125800D00000G

¹ Equivalent substitutions may be made for all resistors and capacitors.

² Alternatively, PBC36SAAN can be purchased and cut as necessary.

NOTES

NOTES

NOTES

**ESD Caution**

ESD (electrostatic discharge) sensitive device. Charged devices and circuit boards can discharge without detection. Although this product features patented or proprietary protection circuitry, damage may occur on devices subjected to high energy ESD. Therefore, proper ESD precautions should be taken to avoid performance degradation or loss of functionality.

Legal Terms and Conditions

By using the evaluation board discussed herein (together with any tools, components documentation or support materials, the "Evaluation Board"), you are agreeing to be bound by the terms and conditions set forth below ("Agreement") unless you have purchased the Evaluation Board, in which case the Analog Devices Standard Terms and Conditions of Sale shall govern. Do not use the Evaluation Board until you have read and agreed to the Agreement. Your use of the Evaluation Board shall signify your acceptance of the Agreement. This Agreement is made by and between you ("Customer") and Analog Devices, Inc. ("ADI"), with its principal place of business at One Technology Way, Norwood, MA 02062, USA. Subject to the terms and conditions of the Agreement, ADI hereby grants to Customer a free, limited, personal, temporary, non-exclusive, non-sublicensable, non-transferable license to use the Evaluation Board FOR EVALUATION PURPOSES ONLY. Customer understands and agrees that the Evaluation Board is provided for the sole and exclusive purpose referenced above, and agrees not to use the Evaluation Board for any other purpose. Furthermore, the license granted is expressly made subject to the following additional limitations: Customer shall not (i) rent, lease, display, sell, transfer, assign, sublicense, or distribute the Evaluation Board; and (ii) permit any Third Party to access the Evaluation Board. As used herein, the term "Third Party" includes any entity other than ADI, Customer, their employees, affiliates and in-house consultants. The Evaluation Board is NOT sold to Customer; all rights not expressly granted herein, including ownership of the Evaluation Board, are reserved by ADI. CONFIDENTIALITY. This Agreement and the Evaluation Board shall all be considered the confidential and proprietary information of ADI. Customer may not disclose or transfer any portion of the Evaluation Board to any other party for any reason. Upon discontinuation of use of the Evaluation Board or termination of this Agreement, Customer agrees to promptly return the Evaluation Board to ADI. ADDITIONAL RESTRICTIONS. Customer may not disassemble, decompile or reverse engineer chips on the Evaluation Board. Customer shall inform ADI of any occurred damages or any modifications or alterations it makes to the Evaluation Board, including but not limited to soldering or any other activity that affects the material content of the Evaluation Board. Modifications to the Evaluation Board must comply with applicable law, including but not limited to the RoHS Directive. TERMINATION. ADI may terminate this Agreement at any time upon giving written notice to Customer. Customer agrees to return to ADI the Evaluation Board at that time. LIMITATION OF LIABILITY. THE EVALUATION BOARD PROVIDED HEREUNDER IS PROVIDED "AS IS" AND ADI MAKES NO WARRANTIES OR REPRESENTATIONS OF ANY KIND WITH RESPECT TO IT. ADI SPECIFICALLY DISCLAIMS ANY REPRESENTATIONS, ENDORSEMENTS, GUARANTEES, OR WARRANTIES, EXPRESS OR IMPLIED, RELATED TO THE EVALUATION BOARD INCLUDING, BUT NOT LIMITED TO, THE IMPLIED WARRANTY OF MERCHANTABILITY, TITLE, FITNESS FOR A PARTICULAR PURPOSE OR NON-INFRINGEMENT OF INTELLECTUAL PROPERTY RIGHTS. IN NO EVENT WILL ADI AND ITS LICENSORS BE LIABLE FOR ANY INCIDENTAL, SPECIAL, INDIRECT, OR CONSEQUENTIAL DAMAGES RESULTING FROM CUSTOMER'S POSSESSION OR USE OF THE EVALUATION BOARD, INCLUDING BUT NOT LIMITED TO LOST PROFITS, DELAY COSTS, LABOR COSTS OR LOSS OF GOODWILL. ADI'S TOTAL LIABILITY FROM ANY AND ALL CAUSES SHALL BE LIMITED TO THE AMOUNT OF ONE HUNDRED US DOLLARS (\$100.00). EXPORT. Customer agrees that it will not directly or indirectly export the Evaluation Board to another country, and that it will comply with all applicable United States federal laws and regulations relating to exports. GOVERNING LAW. This Agreement shall be governed by and construed in accordance with the substantive laws of the Commonwealth of Massachusetts (excluding conflict of law rules). Any legal action regarding this Agreement will be heard in the state or federal courts having jurisdiction in Suffolk County, Massachusetts, and Customer hereby submits to the personal jurisdiction and venue of such courts. The United Nations Convention on Contracts for the International Sale of Goods shall not apply to this Agreement and is expressly disclaimed.