



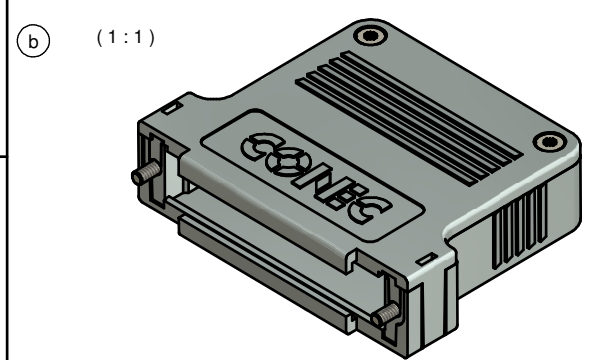
 CABLE STRAIN RELIEF (1x)	 LENS HEAD SCREW (2x)
 SHORT SCREW (2x)	 PRESS INSERT (1x)

 COVER SCREW (2x)





NOTES:

- HOOD + COVER: ABS UL 94 V-0; METALLIZED
- CABLE STRAIN RELIEF: STEEL; NICKEL PLATED
- PRESS INSERT: ABS UL 94 V-0; METALLIZED
- SHORT SCREWS: STEEL; NICKEL PLATED
- COVER SCREWS: STEEL; NICKEL PLATED
- LENS HEAD SCREWS: STEEL; NICKEL PLATED

TECHNICAL DATA:

- TEMPERATURE RANGE: -33°C to + 90°C

THIS DRAWING MAY NOT BE COPIED OR REPRODUCED IN ANY WAY, AND MAY NOT BE PASSED ON TO A THIRD PARTY WITHOUT WRITTEN PERMISSION. OWNERSHIP AND COPYRIGHT OF CONEC GmbH DO NOT ALTER CAD DRAWING BY HAND				tolerance		scale: 2:1
				dim. in mm		material: SEE NOTES
				date	name	title: PLASTIC HOOD 37pos. with straight cable exit
				drawn 03.09.14	Unkrüer	
				appd. 03.09.14	Lehmenkühler	
				norm		
			d-old	16K2A171A	dwg no:	
3 x b	Ä 5304	03.09.2014	Unkrüer			DIN-A3
a	Original					(b) 16K1A3496
rev.	description	date	name	part no: 165X13499X		

Directive 2002/95/EC RoHS compliant