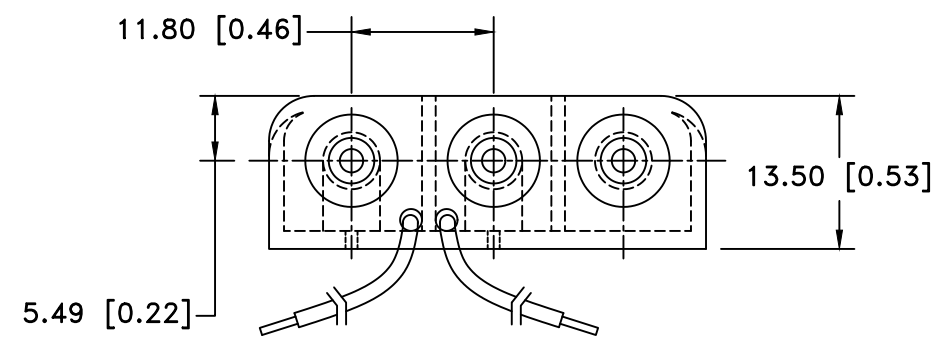
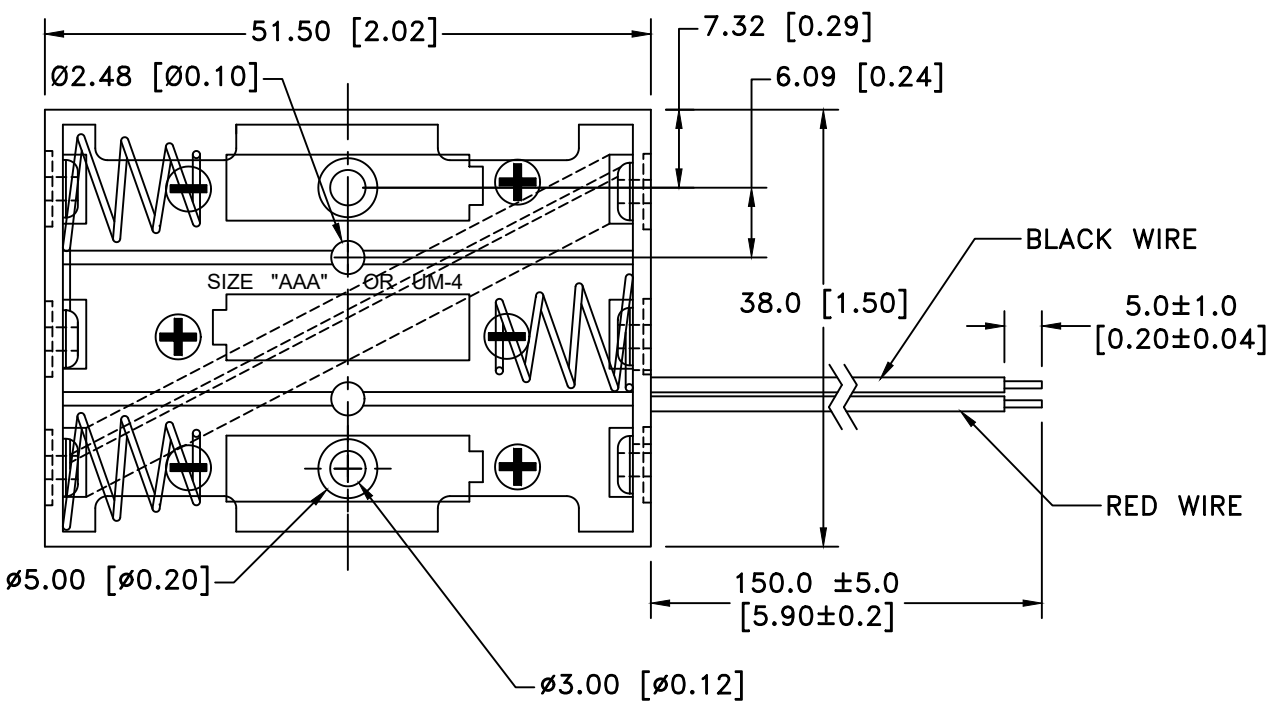



Date	SYM	REVISION RECORD	AUTH	DR.	CK.
9/08/07	A	ADDED "ROHS COMPLIANT" UPDATED MATERIAL NOTES	T.B.	B.S.	
4/05/13	B	UPDATED TO "ROHS 2 COMPLIANT" UPDATED DIVIDING RIBS	T.B.	B.S.	
06/14/13	C	UPDATED TITLE	T.B.	B.S.	
07/07/17	D	DIM. 38.0 WAS 37.0 DIM. 2.48 WAS 2.82	T.B.	B.S.	
12/15/17	F	ADDED DIM. 7.32 AND 6.09	T.B.	B.S.	



**NOTES:**

1. MATERIAL:  
HOUSING : BLACK POLYPROPYLENE  
FLAMMABILITY RATING -UL94-HB, UL FILE NO. E216959  
TEMPERATURE RANGE: -10°C to +100°C  
RIVETS: BRASS, NICKEL PLATED.  
SPRING: SPRING STEEL, NICKEL PLATED.  
WIRE: 26 AWG, UL1007, CSA, TR64, 300V, 80°C  
CONTACTS: SPRING STEEL, NICKEL PLATED.  
CONTACT RESISTANCE: UNDER 50mΩ FOR +/- CONTACTS PER EIA-540J000
- ROHS 2 COMPLIANT

**MOUNTING INSTRUCTION:**  
USE 2-56 MACHINE SCREWS OR EYELETS 0.089" OD BY 0.15" FLANGE STIMPSON GS-3 SERIES OR EQUIVALENT. ALSO ADHESIVES AND DOUBLE SIDED TAPES WORK WELL.

Tolerance (Except as noted)	 <b>Memory Protection Devices, Inc</b> 200 Broad Hollow Road, Farmingdale, New York 11735		
	decimal ±.5 (.020)	Scale	Drawn By B.S. Approved By T.B.
Fractional ± .8 (.030)	Title THREE "AAA" CELL HOLDER WITH WIRE LEADS		
Angular ± 3°	Date 12/15/17	Drawing Number BC3AAAW	