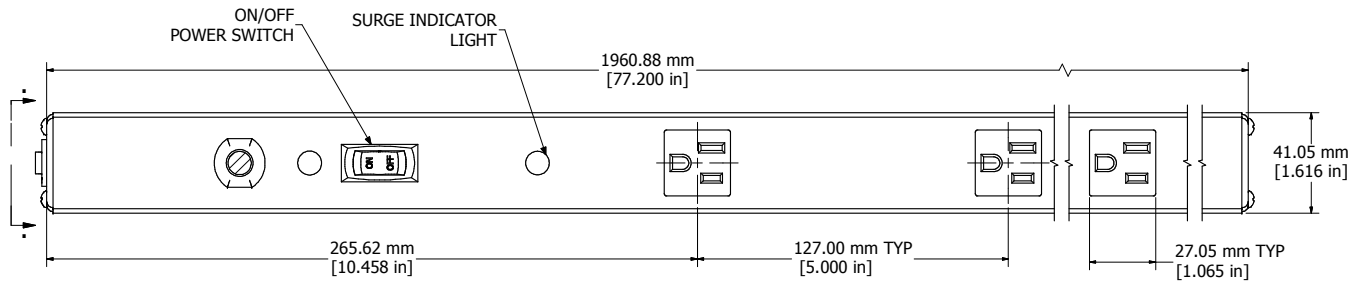
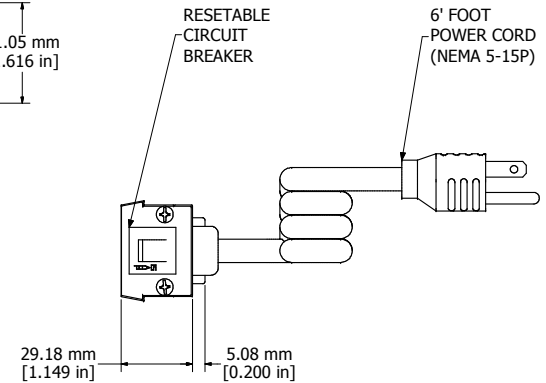


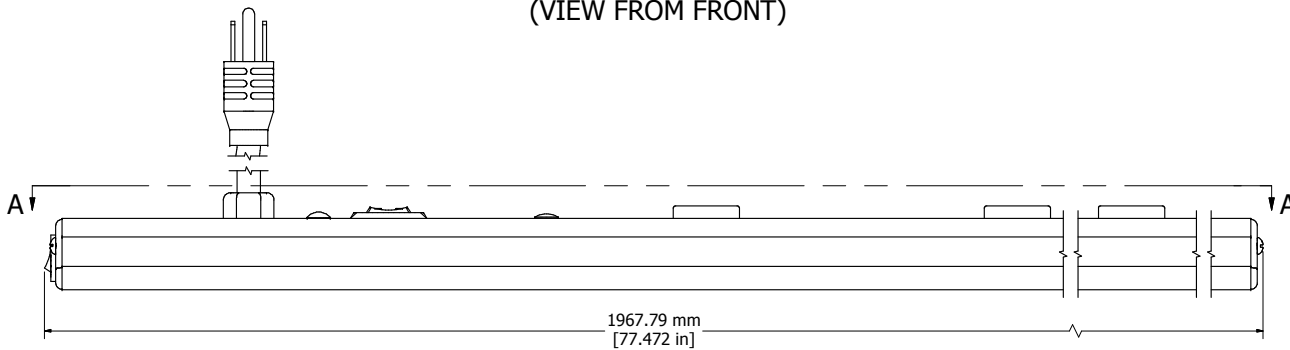
8 | 7 | 6 | 5 | 4 | 3 | 2 | 1



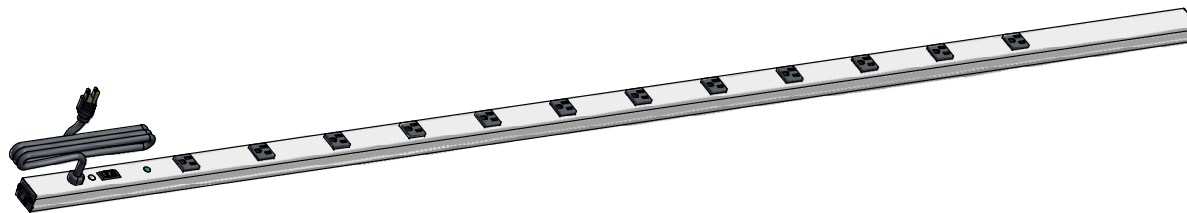
SECTION A-A  
(VIEW FROM FRONT)



ASSEMBLY - VIEW FROM END



ASSEMBLY - VIEW FROM SIDE



ISOMETRIC VIEW

<b>1588H12**S</b>
Finish - Case - Anodized Aluminum Extrusion
Ends - ABS Plastic
Rated - 125 VAC, 60 Hz, 15 Amps
Approvals - CSA Certified Standards C22.2 (No. 21-95, 42-99)
CSA No. 8-M1986
Surge Specs - 780 Joules, 54000 Amps Transient Current
- Protection in 3 AC Modes (L-N, N-G, L-G)
<b>Cord Length &amp; Colour</b>
1588H12A1S - 6' Foot Power Cord (NEMA 5-15P)
1588H12B1S - 15' Foot Power Cord (NEMA 5-15P)
<b>Accessories Included</b>
Mounting Bracket Kit with Hardware

**HAMMOND MANUFACTURING™**

**1588H12\*\*S**

www.hammondmfg.com

8 | 7 | 6 | 5 | 4 | 3 | 2 | 1