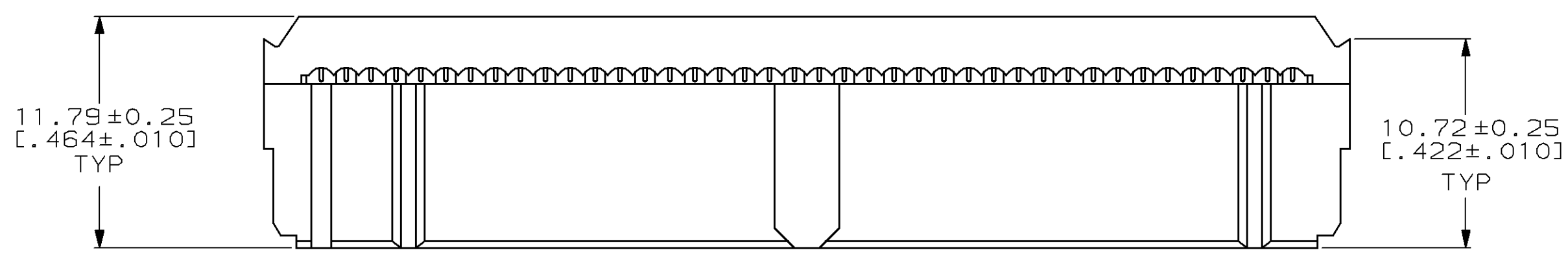
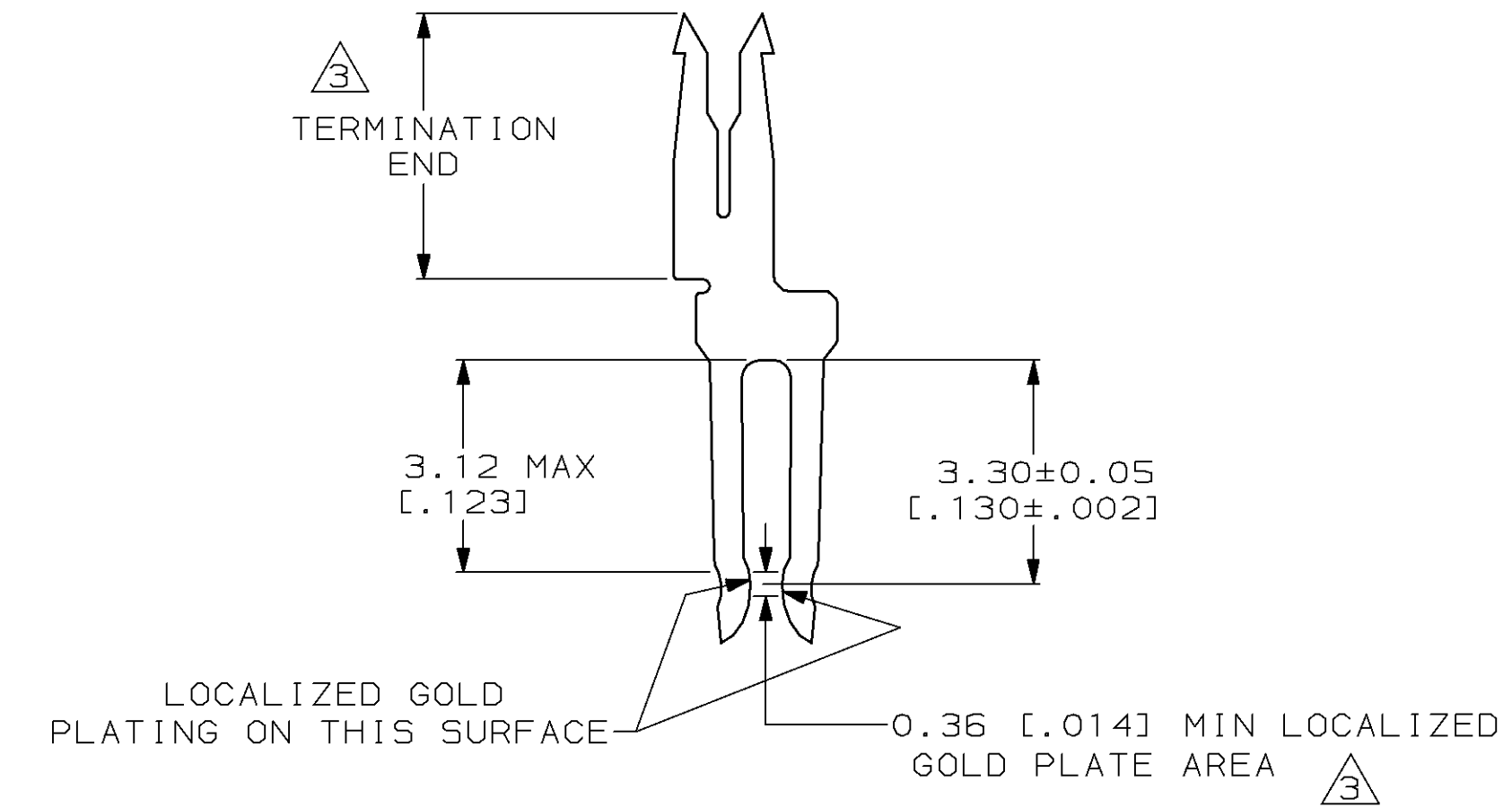


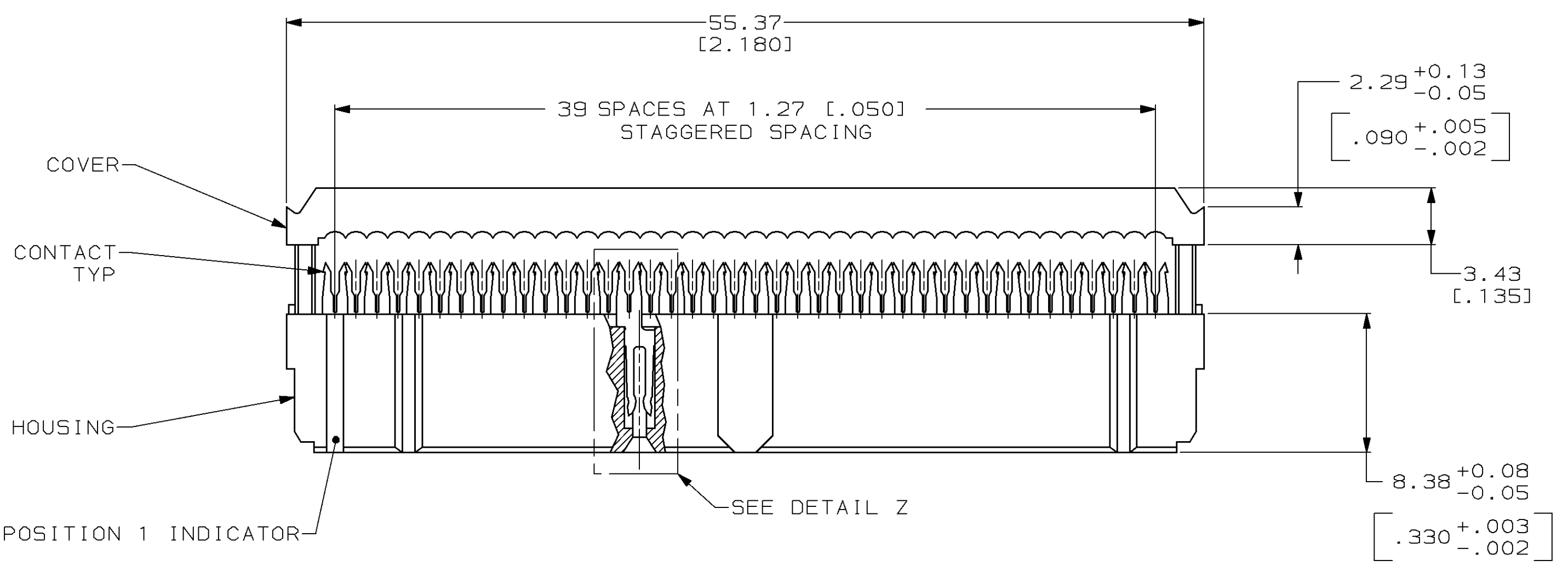
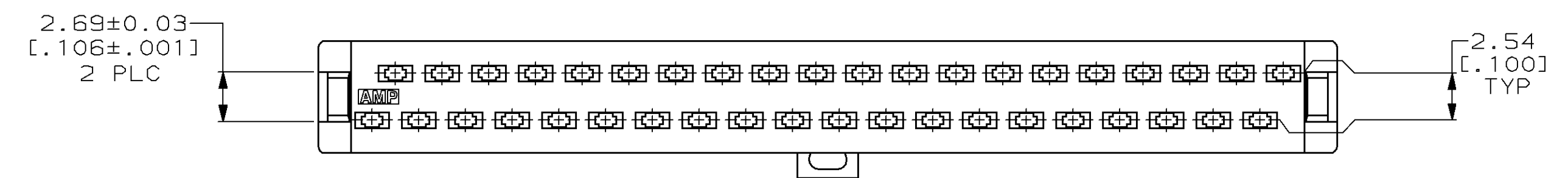
LOC	DIST	REVISIONS			
P	LTR	DESCRIPTION	DATE	OWN	APVD
0		RELEASED PER NPR 5565	08 JUL 96	-	-



TERMINATED VIEW

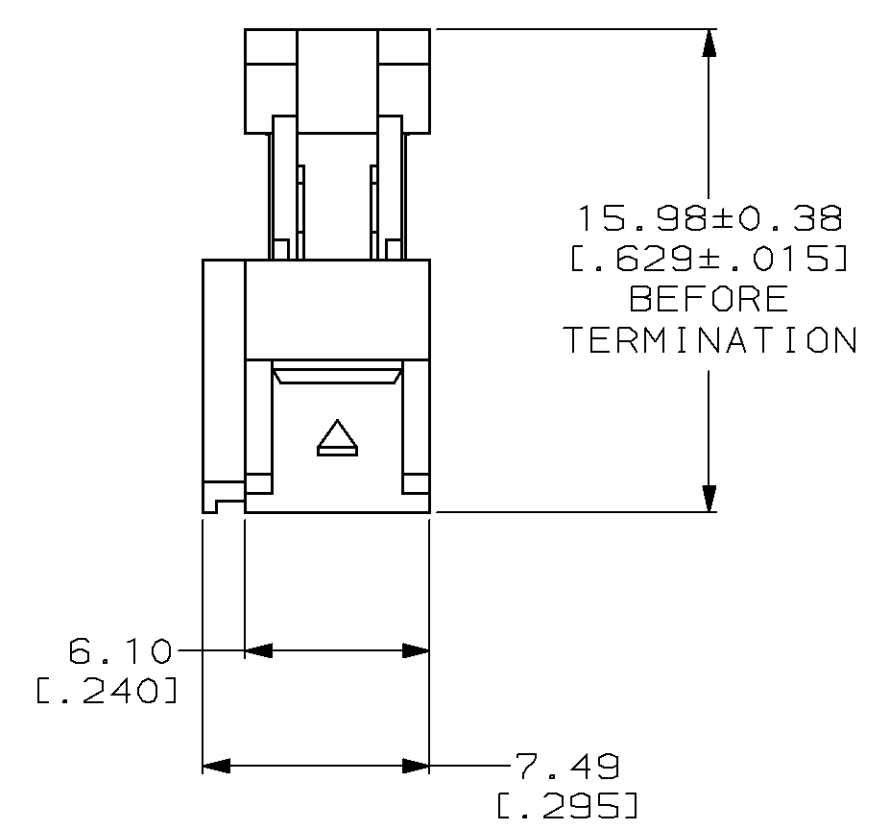


DETAIL Z
SCALE 10:1
TYPICAL

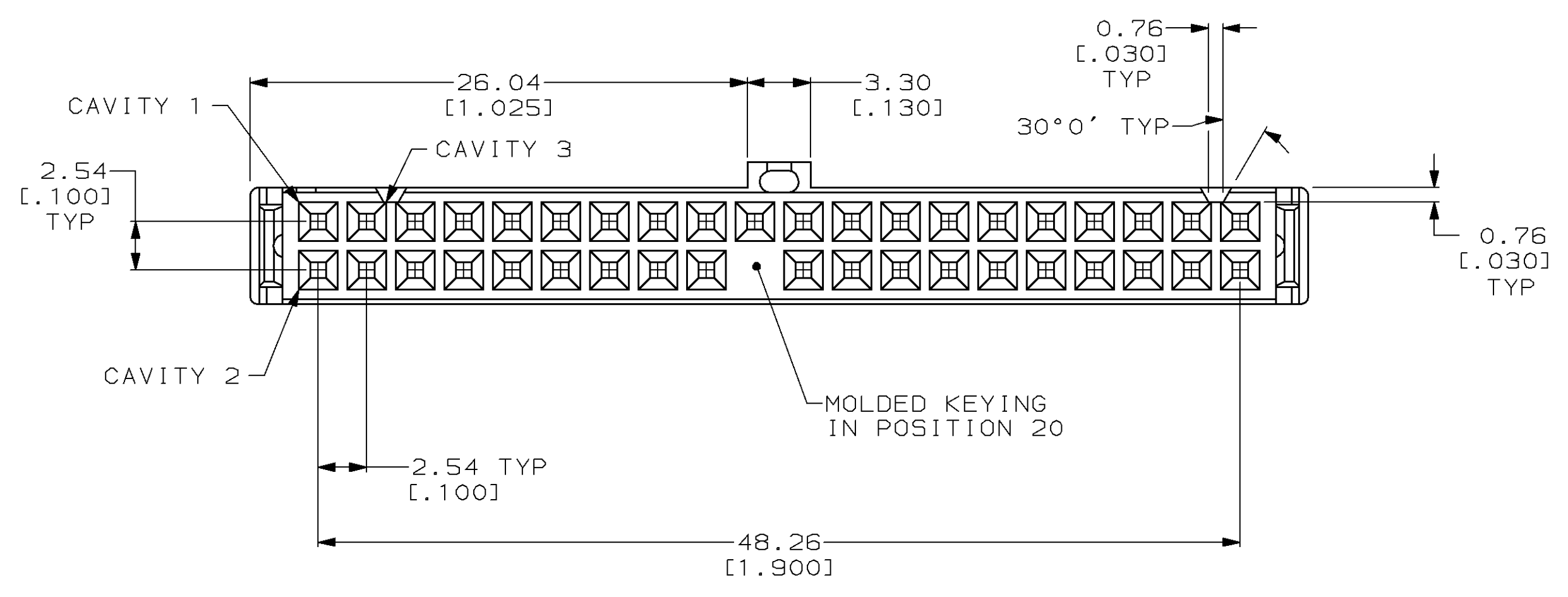


POSITION 1 INDICATOR

SEE DETAIL Z



- 1 POLYESTER, BLACK, UL RATED 94V-0.
- 2 PHOSPHOR BRONZE PER QQ-B-750.
- 3 0.38μm [0.000015] MIN GOLD ON LOCALIZED GOLD PLATE AREA, 2.54μm [0.000100] MIN TIN-LEAD ON TERMINATION END, ALL OVER 1.27μm [0.000050] MIN NICKEL ON ENTIRE CONTACT.
- 4. PACKAGED ON TAPE.



40	111983-1
NO OF POSN	PART NUMBER

THIS DRAWING IS A CONTROLLED DOCUMENT.		DWG: C. REIFSNYDER 08 JUL 96		AMP Incorporated	
DIMENSIONS: mm (INCHES)		CHK: J. HAVENER 06 SEP 96		Harrisburg, PA 17105-3508	
TOLERANCES UNLESS OTHERWISE SPECIFIED:		APVD: G. BELL 11 SEP 96		NAME: RECEPTACLE KIT, FULL COVER, CENTER & MILITARY POLARIZATION, NOVO, AMP-LATCH	
0 PLC	±	PRODUCT SPEC		SIZE: A1	
1 PLC	±	108-40000		CAGE CODE: 00779	
2 PLC	+0.13 (-0.005)	APPLICATION SPEC		DRAWING NO: C-111983	
3 PLC	±	114-40005		SCALE: 4:1	
4 PLC	±	WEIGHT: -		SHEET: 1 OF 1	
ANGLES	±	CUSTOMER DRAWING		REV: 0	