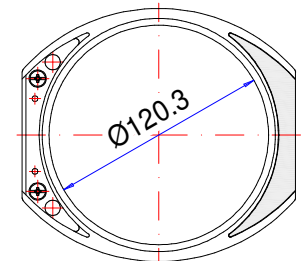
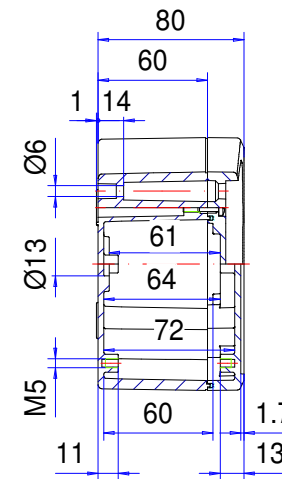
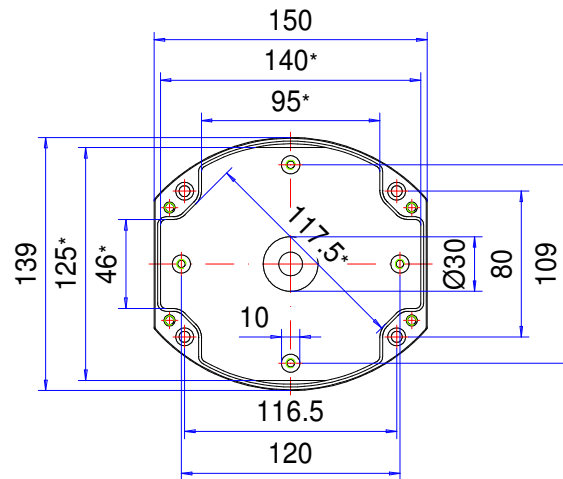
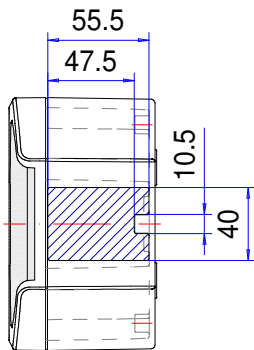
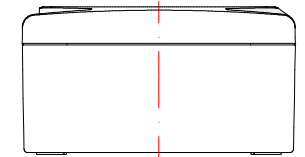
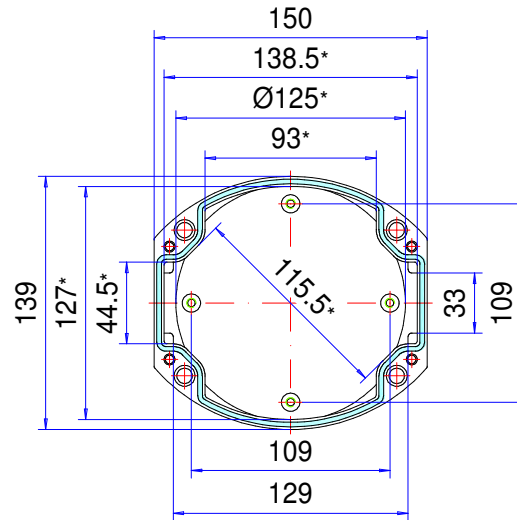


Enclosure series aluDISC

Type: AR 120

Material-No.: 280.120.000



Folie/ Keypad
Ø119.7⁺⁰_{-0.2}

* Please note: Mould slope for casting ejection, dimensions in the amount of the bottom!

Enclosure material	GD-Al Si 12 (DIN 1725)		Ingress protection	IP67 EN 60529
Lid screws	4x stainless steel 1.4567 (V2A), captive		Weight	840 g
Assembly screws	5x M5x8, galvanized steel		Coating	Powder coating RAL 7035, light grey
Design covers	2x Polyoxymethylene (POM), RAL 7016, anthracite grey		Tolerance	GTA 13/5 DIN 1688-4 (outside dimensions ±0,5mm)
Gasket	1x moulded gasket, silicone, transparent			