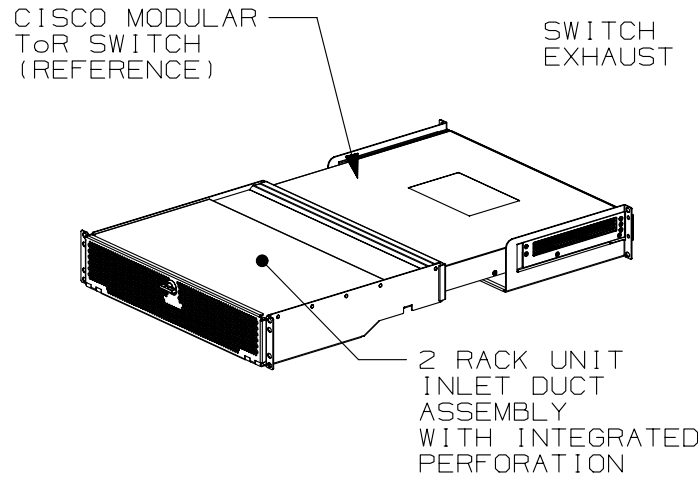
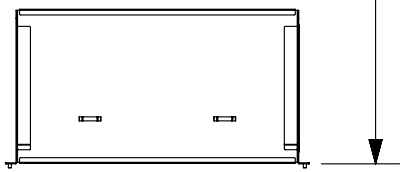
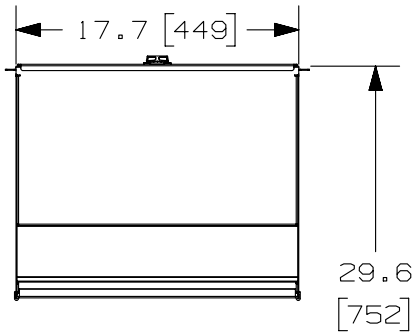
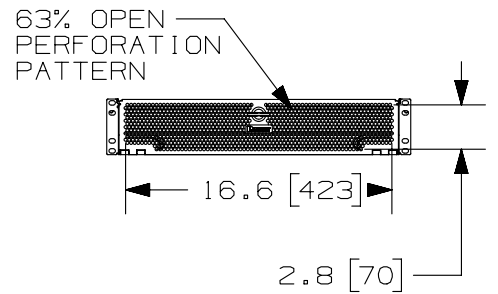
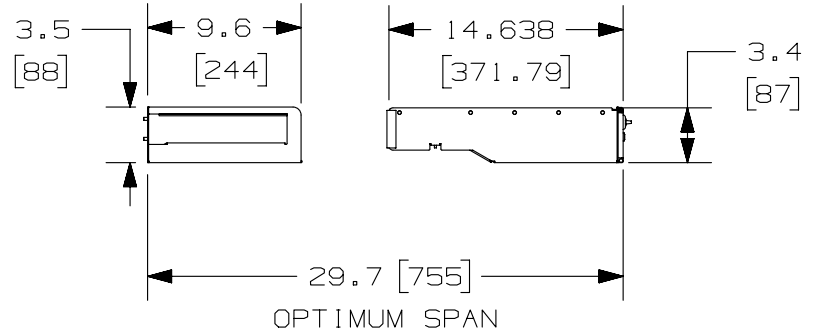
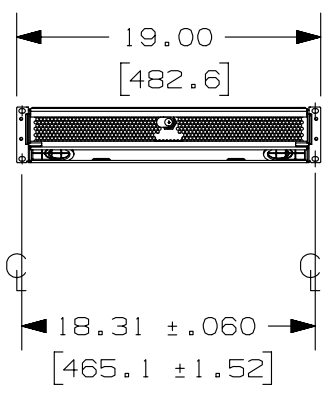


THIS COPY IS PROVIDED ON A RESTRICTED BASIS AND IS NOT TO BE USED IN ANY WAY DETRIMENTAL TO THE INTERESTS OF PANDUIT CORP.



PANDUIT PART NO.	WEIGHT
CDE2	16.5 LBS/EACH 7.5 kg/EACH

- NOTES:
- DIMENSIONS IN PARENTHESIS ARE METRIC (mm).
 - PARTS SUPPLIED:
1- INLET DUCT ASSEMBLY
1- MOUNTING HARDWARE KIT
 - SUPPORT RAILS ADJUST FROM 24.0" TO 30.0" DEPTH.



REV	DATE	BY	CHK	APR	DESCRIPTION	ECN
05A	10/09/13	ERK	MWL		RELEASED	09V131AQ

TITLE		MODULAR ToR SWITCH INLET DUCT (CDE2)		
		CUSTOMER DRAWING		
ITEM REVISION NAME		09V131AQ/05		
DATASET FILE NAME		09V131AQ_DC/05A		
MATERIAL:		N/A		
DRAWING NUMBER:		09V131AQ		
DRAWN BY	DATE	CHK	SCALE	SIZE
MRWA	07/27/10	MWL	N/A	A
SHT 1 OF 2				

D10100DA/16

