

SUMMARY

Wires

Low	4
High	0
Coax	0
Triax	0
Quad	0
Fiber	0
Fluidic	0

Series	0E
Termination type	Coupler/adaptor/bridge
IP rating	68
Cable Ø	0.00 - 0.00 mm
Matching parts	
Status	
Alternative part	



Image is for illustrative purpose only

Download

[Request a quote](#)

[Catalog](#)

TECHNICAL DETAILS

Mechanics

Shell Style/Model	SWH*: Fixed coupler, nut fixing, watertight or vacuum-tight
Keying	Hermaphroditic keying, pin 1 female on flange side, male on other side
Housing Material	Brass (chrome plated) shell and collet nut, nickel plated brass latch sleeve and mid pieces
Cable Fixing	∅ 0 - 0 mm
Variant	P : Watertight

Performance

Configuration	0E.304 : 4 Low Voltage
Insulator	L: PEEK (UL 94 / V-0/3.2, depends on material thickness)
Rated Current	7 Amps

Specifications

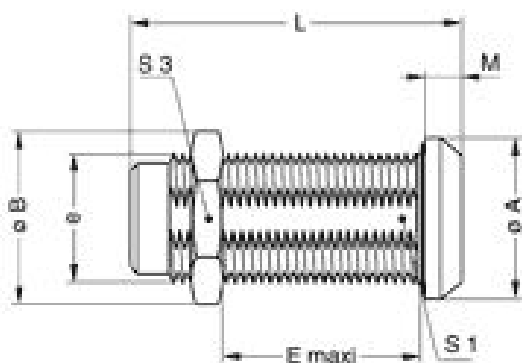
Contact Type:	Solder
Max. Matings:	5000
Contact Dia.:	0.7 mm (0.03in)
Vtest:	1060 V (AC), 1500 V (DC)

Others

Endurance (Shell): 5000 mating cycles
Temp (min / max): -20°C / +100°C
Humidity (max): <=95% [at 60 deg C / 140 F]
Vibration: 15 g [10 Hz - 2000 Hz]
Shock Resistance: 100 g [6 ms]
Salt Spray Corrosion: >144 hr
Climatical Category: 20/80/21
Shielding (min): 95 dB (10 MHz)
Shielding (min): 80 dB (1 GHz)
Pressure: 60 bars
IP Rating: 68

DRAWINGS

Draws



Dimensions

	A	B	E	L	M	S1	S3	e
mm.	18	19.5	22.5	36	4	12.5	17	M14x1.0
in.	0,71	0,77	0,89	1,42	0,16	0,49	0,67	

RECOMMENDED BY LEMO

Tools

None

Cables