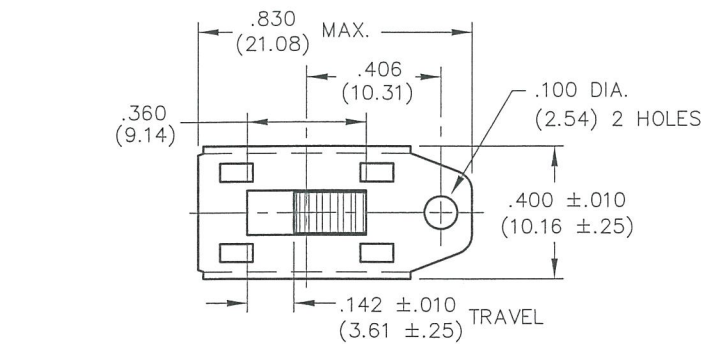


F  
 D  
 C  
 B  
 A

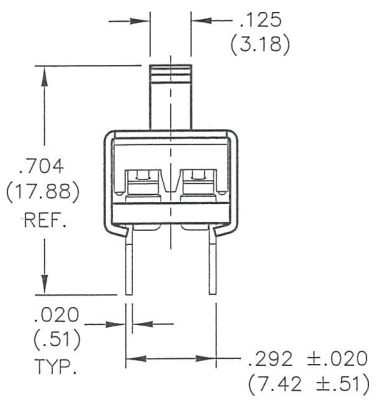
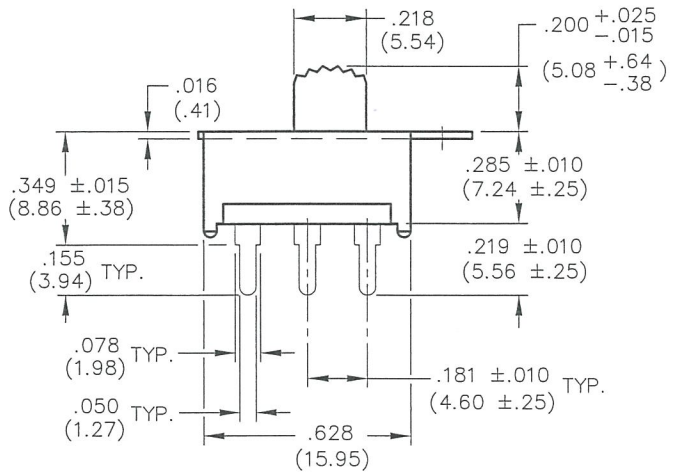
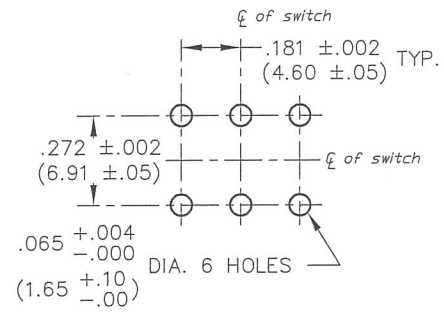
THIS INFORMATION IS CONFIDENTIAL AND PROPRIETARY TO CV INDUSTRIES INCORPORATED AND ITS AFFILIATES. IT MAY NOT BE DISCLOSED TO ANYONE, OTHER THAN CV INDUSTRIES PERSONNEL, WITHOUT WRITTEN AUTHORIZATION FROM CV INDUSTRIES INCORPORATED, SOUTHAMPTON, PENNSYLVANIA USA.

DIMENSIONS IN INCHES (MILLIMETERS)  
 DO NOT SCALE DRAWING .....

Dwg. No.  
**GF-126-0180**



**P.C. LAYOUT**



1      2      3      4      5      6      7      8      9      10

B-FORMAT 2002  
**REVISIONS**  
 RELEASED:  
 DGW 7-09-13  
**JUL 19 2013**

PDF MADE

<b>GW INDUSTRIES</b>		Southampton, Pa. 18966	
TOLERANCES UNLESS OTHERWISE SPECIFIED			
2 Place Decimal ±.010	METRIC		
3 Place Decimal ±.005	1 Place Dec. ±.25mm		
Angles ..... ±1'	2 Place Dec. ±.13mm		
Made for: CW IND.			
Drawn by: DGW 7-09-13			
Checked by: <i>G. Guld</i> 7-10-13			
Approval: <i>G. Guld</i> 7-10-13			

Title: **MINI-SLIDE SWITCH ASSEMBLY**  
**D.P. - D.T.**  
**ONE MOUNTING EAR**

Division: **SWITCH**

Dwg. No. **GF-126-0180**

**MASTER**