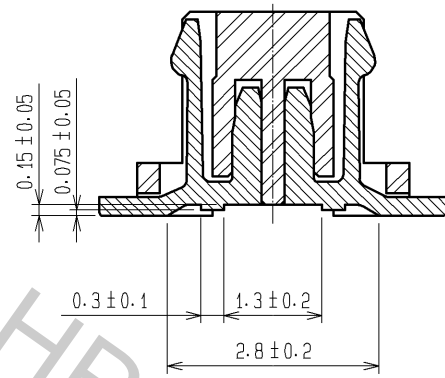
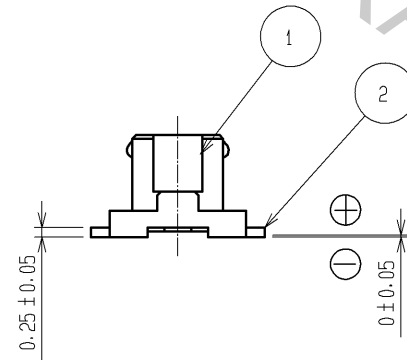
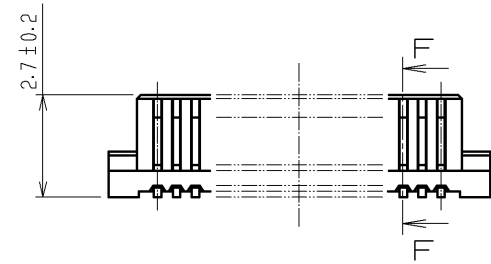


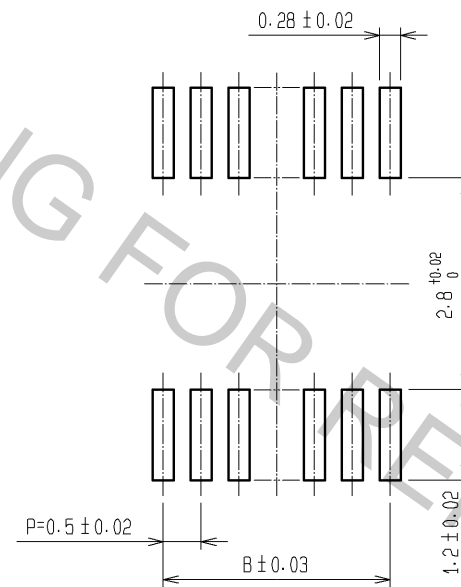
F-F (10:1)



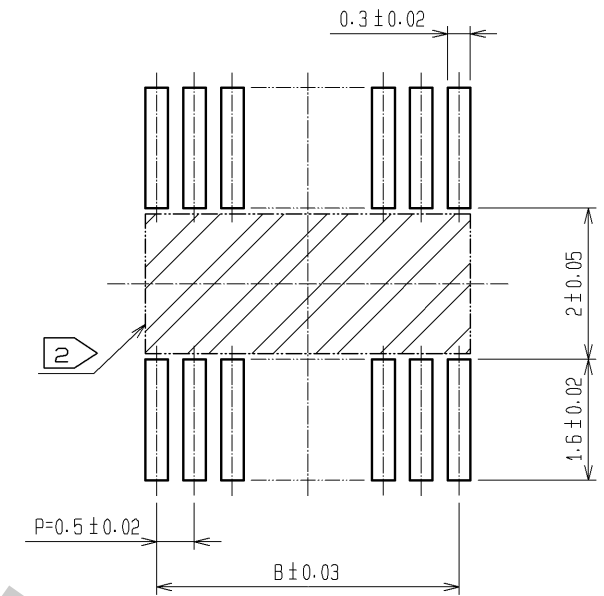
| CODE No. | CONTACT | A | B | C | D | E |
|-----------------|---------|------|------|------|------|------|
| CL537-0203-5-81 | 20 | 7.1 | 4.5 | 5.2 | 5.6 | 5.3 |
| CL537-0205-0-81 | 30 | 9.6 | 7.0 | 7.7 | 8.1 | 7.8 |
| CL537-0212-6-81 | 32 | 10.1 | 7.5 | 8.2 | 8.6 | 8.3 |
| CL537-0206-3-81 | 36 | 11.1 | 8.5 | 9.2 | 9.6 | 9.3 |
| CL537-0207-6-81 | 40 | 12.1 | 9.5 | 10.2 | 10.6 | 10.3 |
| CL537-0209-1-81 | 50 | 14.6 | 12.0 | 12.7 | 13.1 | 12.8 |
| CL537-0211-3-81 | 60 | 17.1 | 14.5 | 15.2 | 15.6 | 15.3 |



RECOMMEND METAL MASK PATTERN (10:1)



RECOMMENDED LAND PATTERN (10:1)



RECOMMENDED THICKNESS OF SOLDER PASTE : 120 μm

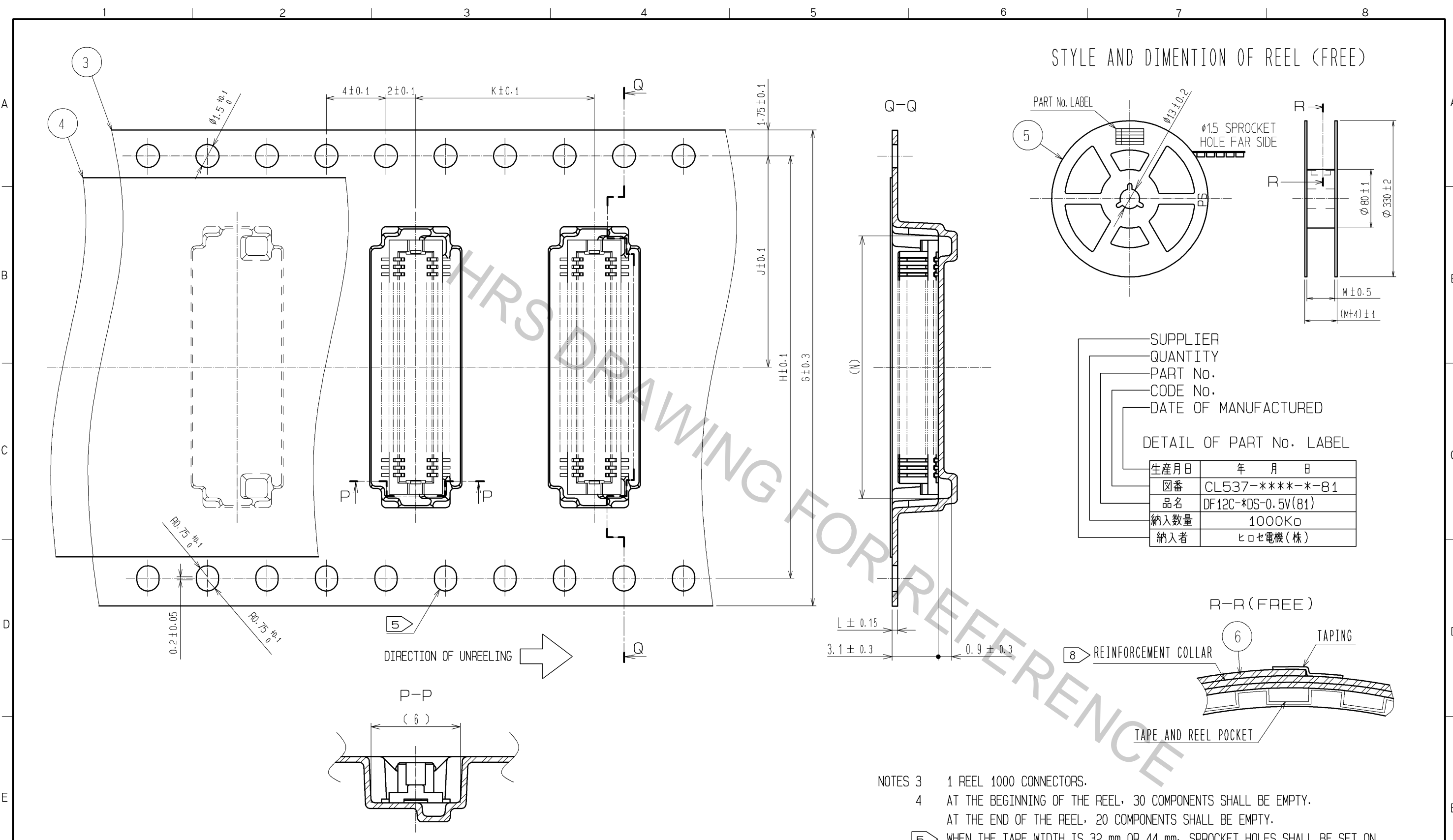
NOTES 1 LEAD CO-PLANARITY SHALL BE 0.08 mm MAX.
 2 IF THERE IS PATTERN ON [Hatched] PART, THERE IS A POSSIBILITY THAT IT WILL MAKE CONTACT WITH THE LEADS.

| NO. | MATERIAL | FINISH | REMARKS | NO. | MATERIAL | FINISH | REMARKS |
|-----|-----------------|--------|--|-----|-----------|--------|-------------------------------|
| 2 | PHOSPHOR BRONZE | | CONTACT AREA:GOLD PLATED 0.2μm min LEAD AREA:GOLD PLATED 0.015μm min OTHERS(UNDER PLATING):NICKEL PLATED 2μm min | 6 | PS | | CLEAR (REINFORCEMENT COLLAR) |
| | | | | 5 | PS | | BLACK (PLASTIC REEL) |
| | | | | 4 | POLYESTER | | CLEAR (COVER TAPE) |
| 1 | POLYAMIDE | | UL94V-0, NATURAL (BEIGE) | 3 | PS | | CLEAR (EMBOSSED CARRIER TAPE) |

| UNITS | SCALE | COUNT | DESCRIPTION OF REVISIONS | DESIGNED | CHECKED | DATE |
|-------|-------|-------|--|----------|---------|------|
| mm | 5:1 | △ | APPROVED : KH. IKEDA 12.04.17 CHECKED : YH. MICHIDA 12.04.17 DESIGNED : YN. SAKAMOTO 12.04.16 DRAWN : YN. SAKAMOTO 12.04.16 | | | |

| DRAWING NO. | PART NO. | CODE NO. |
|----------------|--------------------|----------|
| EDC3-163506-77 | DF12C-*DS-0.5V(81) | CL537 |

Apr.1.2017 Copyright 2017 HIROSE ELECTRIC CO., LTD. All Rights Reserved.



STYLE AND DIMENTION OF REEL (FREE)

SUPPLIER
QUANTITY
PART No.
CODE No.
DATE OF MANUFACTURED

DETAIL OF PART No. LABEL

| | |
|------|-------------------|
| 生産月日 | 年 月 日 |
| 図番 | CL537-****-*-81 |
| 品名 | DF12C-DS-0.5V(81) |
| 納入数量 | 1000コ |
| 納入者 | ヒロセ電機(株) |

- NOTES
- 3 1 REEL 1000 CONNECTORS.
 - 4 AT THE BEGINNING OF THE REEL, 30 COMPONENTS SHALL BE EMPTY.
AT THE END OF THE REEL, 20 COMPONENTS SHALL BE EMPTY.
 - 5 WHEN THE TAPE WIDTH IS 32 mm OR 44 mm, SPROCKET HOLES SHALL BE SET ON BOTH SIDE OF REEL AS SHOWN ON THIS DRAWING.
 - 6 PEEL FORCE REFERS TO JIS C 0806.
 - 7 THE REEL IS PACKED WITH A POLYETHYLENE MATERIAL, TOGETHER WITH A DRYING AGENT.
 - 8 AFTER PACKING, ROLL 2 METERS OF THE REINFORCEMENT COLLAR TO OUTER CIRCUMFERENCE OF TAPE AND REEL POCKET, AND TAPE DOWN AT THE END THE COLLAR.

| CODE No. | CONTACT | G | H | J | K | L | M | N |
|-----------------|---------|----|------|------|----|------|------|------|
| CL537-0203-5-81 | 20 | 16 | - | 7.5 | 12 | 0.38 | 17.5 | 9 |
| CL537-0205-0-81 | 30 | 24 | - | 11.5 | 12 | 0.38 | 25.5 | 11.5 |
| CL537-0212-6-81 | 32 | 24 | - | 11.5 | 12 | 0.30 | 25.5 | 12 |
| CL537-0206-3-81 | 36 | 24 | - | 11.5 | 8 | 0.30 | 25.5 | 12.6 |
| CL537-0207-6-81 | 40 | 24 | - | 11.5 | 12 | 0.38 | 25.5 | 14 |
| CL537-0209-1-81 | 50 | 24 | - | 11.5 | 8 | 0.30 | 25.5 | 16.1 |
| CL537-0211-3-81 | 60 | 32 | 28.4 | 14.2 | 12 | 0.30 | 33.5 | 18.6 |

| | | |
|------------|-------------|-------------------|
| HRS | DRAWING NO. | EDC3-163506-77 |
| | PART NO. | DF12C-DS-0.5V(81) |
| | CODE NO. | CL537 |
| | | △ 2/2 |