

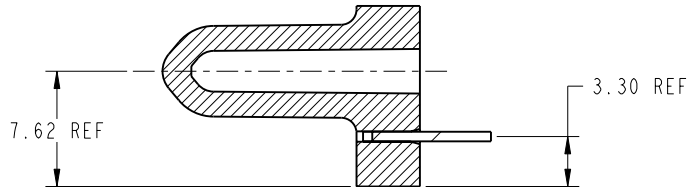
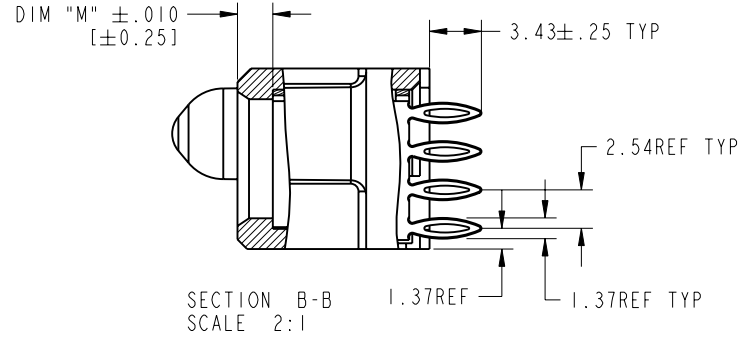
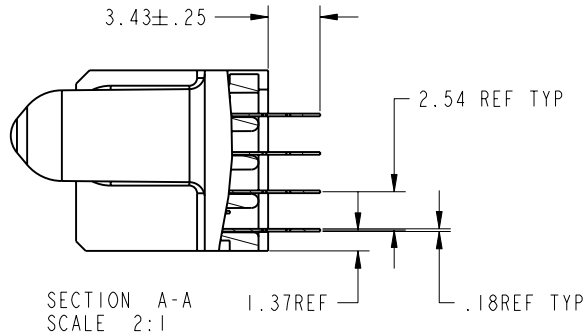
Tous droits strictement reserves. Reproduction ou communication a des tiers interdite sous quelque forme que ce soit sans autorisation écrite du propriétaire. Propriete de c FCI. Droits de reproduction FCI.



All rights strictly reserved. Reproduction or issue to third parties in any form whatever is not permitted without written authority from the proprietor. Property of FCI. Copyright FCI.

PRODUCT NUMBER

51750-076--
NOTE: 3



CONFIDENTIAL

mat'l code				tolerances unless otherwise specified		CUSTOMER		 www.fciconnect.com	
ltr	ecr no.	dr	date	linear	0.X ± 0.3	COPY		title	
A					0.XX ± 0.10	projection		3P + 56S + 3P	
				angles	0.XXX ± 0.050			VERTICAL PRESS-FIT RECEPTACLE	
				dr	JM GUO 06/23/06	MM		product family PwrBlade code	
				engr	SALLY LUO 06/23/06			size dwg no	
				chr	BEER FU 06/23/06	1:1		A 51750-076	
				appd	JOSEPH HSIA 06/23/06			213	
sheet index	revision sheet							2 of 4	

Pro/E

coge code 22526

PDM: Rev:A

STATUS: Released

Printed: Dec 20, 2010

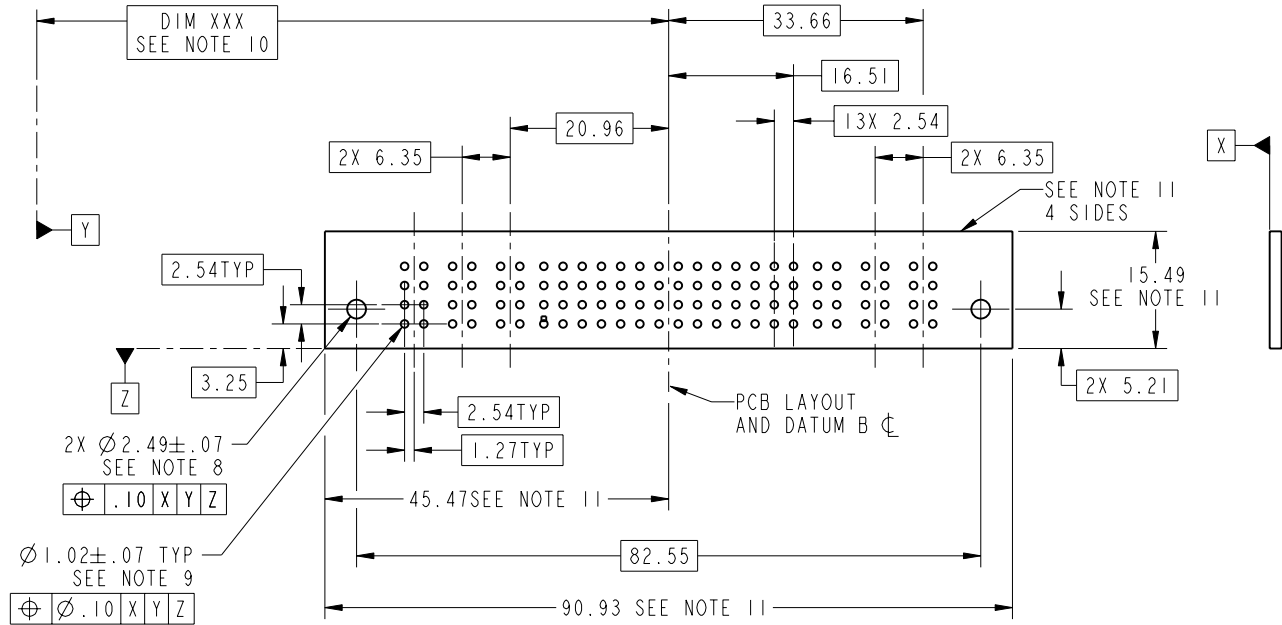
Tous droits strictement reserves. Reproduction ou communication a des tiers interdite sous quelque forme que ce soit sans autorisation ecrite du proprietaire. Propriete de c FCI. Droits de reproduction FCI.



All rights strictly reserved. Reproduction or issue to third parties in any form whatever is not permitted without written authority from the proprietor. Property of FCI. Copyright FCI.

PRODUCT NUMBER

51750-076__
NOTE: 3



CONFIDENTIAL

mat'l code				tolerances unless otherwise specified		CUSTOMER		FCI	
ltr	ecn no.	dr	date	linear	0.X ± 0.3	COPY	www.fciconnect.com		
A				linear	0.XX ± 0.10	projection	title 3P + 56S + 3P		
				angles	0° ± 2°		VERTICAL PRESS-FIT RECEPTACLE		
				dr	JM GUO 06/23/06	MM	product family	PwrBlade	code
				enqr	SALLY LUO 06/23/06	scale	size	dwg no	213
				chr	BEER FU 06/23/06	1:1	A	51750-076	3 of 4
				appd	JOSEPH HSIA 06/23/06				
sheet index	revision sheet								

cage code 22526

Pro/E

PDM: Rev:A

STATUS: Released

Printed: Dec 20, 2010

Tous droits strictement réservés. Reproduction ou communication o des tiers interdite sous quelque forme que ce soit sans autorisation écrite du propriétaire. Propriété de c FCI. Droits de reproduction FCI.



All rights strictly reserved. Reproduction or issue to third parties in any form whatever is not permitted without written authority from the proprietor. Property of FCI. Copyright FCI.

PRODUCT NUMBER

51750-076--
NOTE: 3

NOTES:

1. DIMENSIONS AND TOLERANCES ARE IN ACCORDANCE WITH ASME Y14.5M, 1994 UNLESS OTHERWISE SPECIFIED.

CONNECTOR NOTES:

- 2 HOUSING MATERIAL: UL 94 V-0 GLASS FILLED
HIGH-TEMP THERMOPLASTIC
POWER CONTACT MATERIAL: COPPER ALLOY
SIGNAL PIN MATERIAL: COPPER ALLOY
- 3. PLATING SPEC.
51750-076,51750-076LF PLATING SPEC. WAS SHOWN IN THE PRINT OF 10064183.
- 4 MANUFACTURER'S NAME, P/N, AND DATE CODE TO APPEAR ON THIS SURFACE.
- 5. PRODUCT SPECIFICATION GS-12-149.
APPLICATION SPECIFICATION BUS-20-067.
- 6. PACKAGED IN TRAYS.

PCB NOTES:

- 7. ALL HOLE DIAMETERS ARE FINISHED HOLE SIZE.
- 8 MOUNTING HOLES, WHERE APPLICABLE, ARE UNPLATED.
- 9 $\varnothing .0453 \pm .0010$ [1.151 \pm 0.025] DRILLED HOLES PLATED WITH .0003 [0.008] MIN SnPb OVER .001 [0.03] TO .003 [0.08] Cu PLATING TO ACHIEVE $\varnothing .040 \pm .003$ [1.02 \pm .07] HOLE.
- 10 "DIM XXX" TO BE DETERMINED BY THE CUSTOMER.
- 11 CONNECTOR KEEP-OUT ZONE.

CONFIDENTIAL

mat'l code				tolerances unless otherwise specified		CUSTOMER		FCI www.fciconnect.com	
lfr	ecr no.	dr	date	linear	0.X \pm 0.3	COPY		title	
A					0.XX \pm 0.10	projection		3P + 56S + 3P	
				angles	0.XXX \pm 0.050			VERTICAL PRESS-FIT RECEPTACLE	
					0° \pm 2°			product family PwrBlade code	
				dr	JM GUO 06/23/06	scale		size	
				engr	SALLY LUO 06/23/06	1:1		dwg no	
				chr	BEER FU 06/23/06			A 51750-076	
				appd	JOSEPH HSIA 06/23/06			213	
sheet index		revision sheet						4 of 4	

cage code 22526

Pro/E

PDM: Rev:A

STATUS: Released

Printed: Dec 20, 2010