

LED COLOR = YEL/GRN BI-COLOR

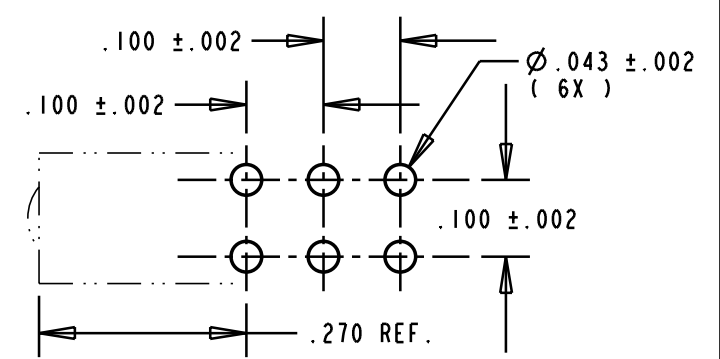
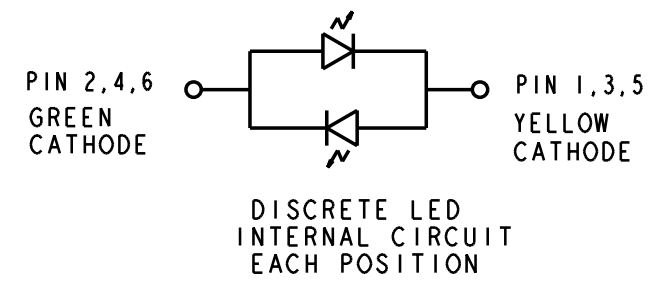
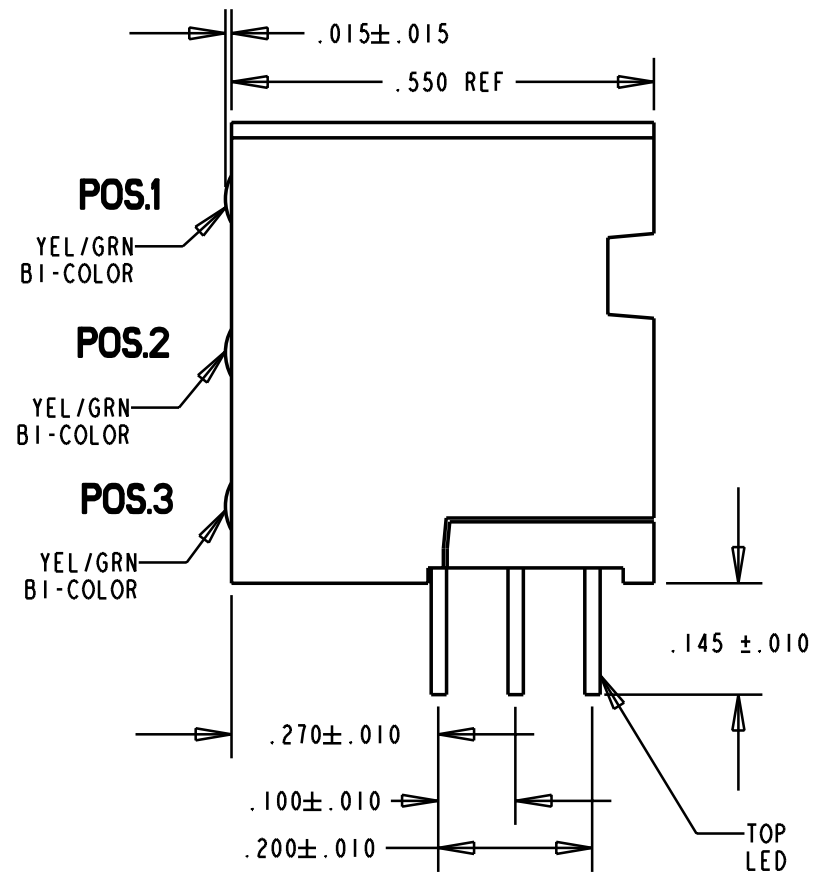
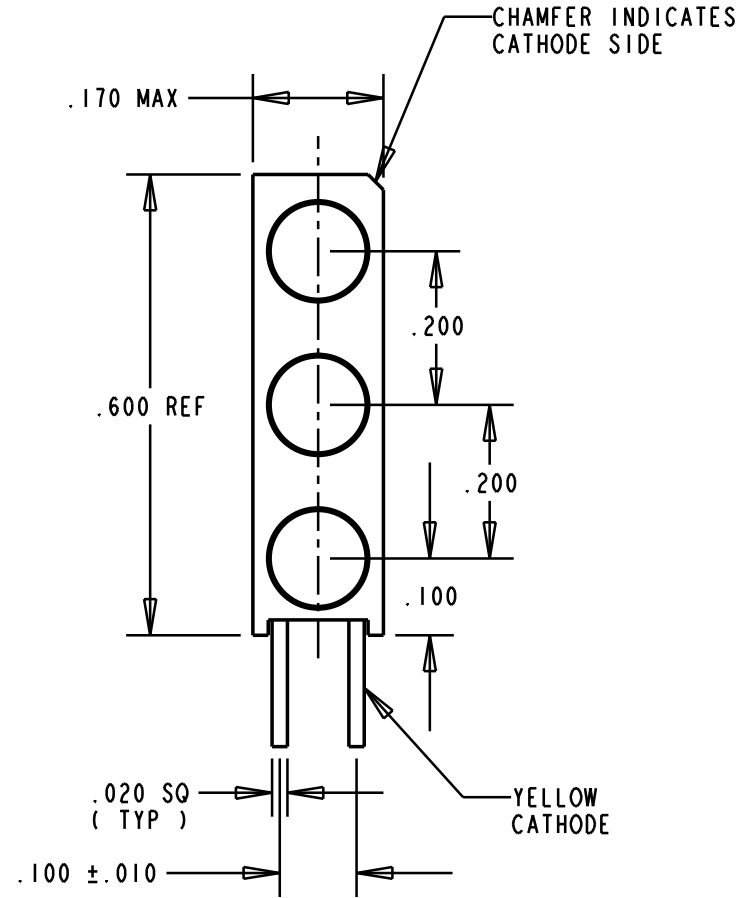
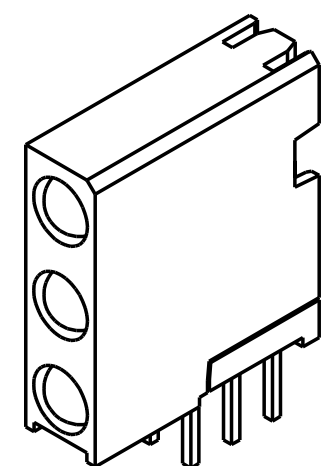
OPERATING CHARACTERISTICS AT 25°C AMBIENT

CHARACTERISTICS	COLOR	MIN.	TYP.	MAX.	UNITS	TEST COND.
LUMINOUS INTENSITY	YELLOW	2.5	4.3		mcd	$I_f = 10 \text{ mA}$
	GREEN	2.5	6.3			
FORWARD VOLTAGE	YELLOW		2.1	2.8	V	$I_f = 20 \text{ mA}$
	GREEN		2.1	2.8		
PEAK WAVELENGTH	YELLOW		585		nm	
	GREEN		565			
VIEWING ANGLE	YELLOW		80		Degree	
	GREEN		80			

REV.	ECN NO.	REVISIONS	DRN.	CKD.	APP.	DATE
A	—	NEW RELEASE	YY	NO	N.O.	6-16-92
B	—	NOTE 1 WAS "LEADS TO FIT INTO HOLES SPACED AS PER HOLE PATTERN". ADDED PIN NOS & "SEE NOTE 1". IN BOTTOM VIEW. ALSO UP-DATE L.E.D. SPEC.	YY	NO	N.O.	9-5-95
C	—	CHANGE "CLAMSHELL" DESIGN TO NEW "BOTTOM INSERT" DESIGN; ADDED LED VIEWING ANGLE AND NOTE 2 & 3.	DC	MC	N.O.	12-11-98
D	—	NOTE 2 BECAME NOTE 4; NOTE 3 BECAME NOTE 5; ADDED NEW NOTES 2 AND 3; REORIENTED PRINTING.	TC			

5640700801

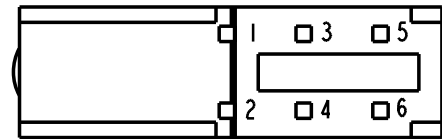
LEGEND AREA  
-----  
PRINT WITH  
APPROPRIATE  
PART No



RECOMMENDED PC BOARD HOLE PATTERN

NOTES:

- 1- PIN NUMBERS FOR REFERENCE ONLY, DESIGNATION NON-EXISTENT ON PARTS.
- 2- LEADS TO FIT INTO HOLES SPACED AS PER HOLE PATTERN
- 3- LEADS TO BE FREE OF DEFORMATION AFTER BENDING AND CUTTING
- 4- LED LEAD DIMENSIONS SHOWN ARE MEASURED AT HOUSING EXIT.
- 5- DIALIGHT PART NO. 564-0700-801



THIS DRAWING AND THE CONTENTS HEREIN ARE CONFIDENTIAL AND THE SOLE PROPERTY OF DIALIGHT. REPRODUCTION OF THIS DRAWING OR CONSTRUCTION OF ANY PARTS WITHIN THIS DRAWING ARE FORBIDDEN WITHOUT THE WRITTEN CONSENT OF DIALIGHT.		
SCALE 4:1	DRAWING NUMBER	REV
ALL DIM'S IN: INCHES	C-15680	D
TOLERANCES: UNLESS OTHERWISE SPECIFIED	TITLE EXTENDED TRI-LEVEL CBI BLOCK	
FRACTIONS: ±1/64	MATERIAL	
DECIMALS (.XX): ±.02	Dialight	
DECIMALS (.XXX): ±.015	1913 ATLANTIC AVE. MANASQUAN, N.J. 08736	
ANGLES: ±3°	SHEET OF FAMILY TABLE:	
FINISH:	FSCM 83330	