

1

2

3

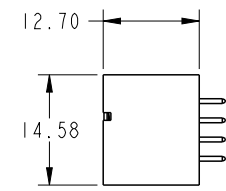
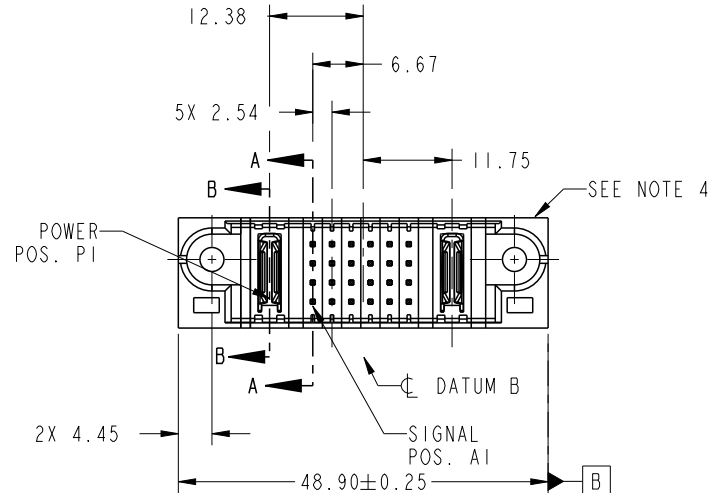
4

PRODUCT NO. 51952-230-- NOTE ③	ROWS DCBA	POW		SIGNAL						POW	
		E1	P1	1	2	3	4	5	6	P2	E2

A

B

C



A

B

C

CODE	DIM "M" MATING LENGTH	CONTACT TYPE
PA	[N/A]	POWER
E	[6.86]	SIGNAL
H	[5.59]	SIGNAL



Copyright FCI.

D

spec ref	See Notes			dr	Luo Weller	2012/10/11	projection 	MM 	size	A4	scale	1:1	
tolerance std	TOLERANCES UNLESS OTHERWISE SPECIFIED			eng	Luo Weller	2012/11/05			ecn no	-			
See Notes				chr	-	-			product family	PwrBlade		rel level	Released
surface ✓	linear	0.X	±0.50	www.fci.com	title	IP + 24S + IP	dwg no	51952-230	rev	A			
		0.XX	±0.25										
	angular	0°	±2°								cat. no.	&model_name	Product - Customer Drw

PrdE File - REV C - 2009-06-09

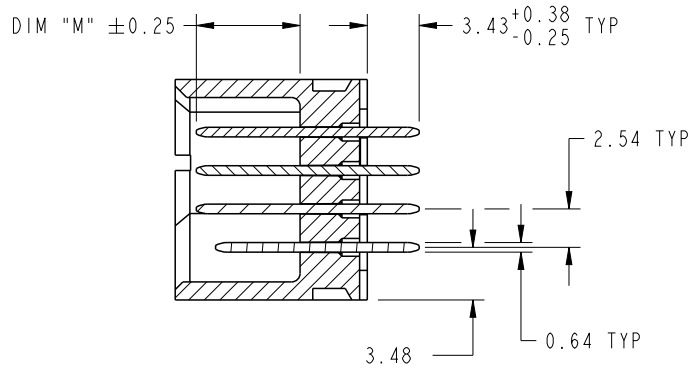
2

3

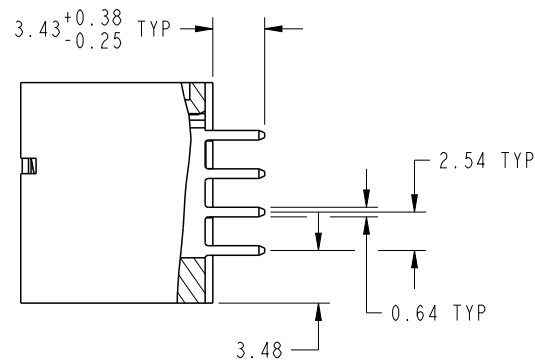
4

PRODUCT NUMBER

51952-230__
NOTE 3



SECTION A-A
SCALE 2:1



SECTION B-B
SCALE 2:1

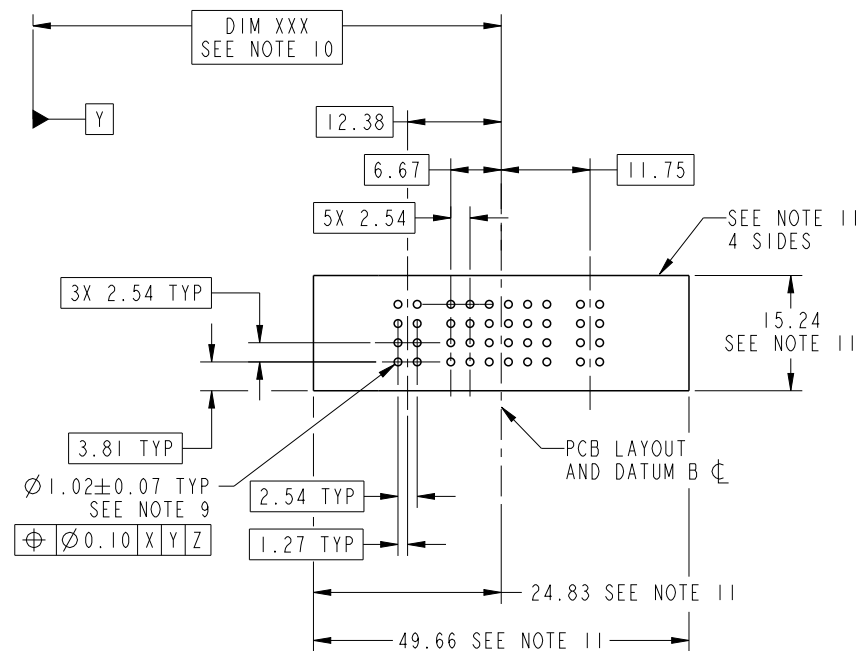


Copyright FCI.

dr	Luo Weller	2012/10/11	projection 	MM 	size	A4	scale	1:1
eng	Luo Weller	2012/11/05			ecn no	-		
chr	-	-			product family	PwrBlade	rel level	Released
appr	Pei-Ming Zheng	2012/11/05			title IP + 24S + IP VERTICAL SOLDER HEADER	dwg no 51952-230	rev A	
www.fci.com		cat. no.	&model_name	Product - Customer Drw	sheet 2 of 4			

PRODUCT NUMBER

51952-230__
NOTE 3



RECOMMENDED PCB LAYOUT

dr	Luo Weller	2012/10/11	projection 	MM 	size	A4	scale	1:1
eng	Luo Weller	2012/11/05			ecn no	-		
chr	-	-			rel level	Released		
appr	Pei-Ming Zheng	2012/11/05	product family	PwrBlade	rel level	Released		
	title	IP + 24S + IP		dwg no	51952-228		rev	A
www.fci.com	cat. no.	&model_name	Product - Customer Drw		sheet 3 of 4			

PRODUCT NUMBER

51952-230__
NOTE 3

NOTES:

1. DIMENSIONS AND TOLERANCES ARE IN ACCORDANCE WITH ASME Y14.5M, 1994 UNLESS OTHERWISE SPECIFIED.

CONNECTOR NOTES:

- ② HOUSING MATERIAL: UL 94 V-0 GLASS FILLED HIGH-TEMP THERMOPLASTIC
POWER CONTACT MATERIAL: COPPER ALLOY
SIGNAL PIN MATERIAL: COPPER ALLOY
 - 3. SEE ITEM 1 & 2 IN PRINT 10064183 FOR PLATING SPEC OF 51952-230 AND 51952-230LF RESPECTIVELY.
 - ④ MANUFACTURER'S NAME, DATE CODE AND OPTIONAL P/N TO APPEAR ON THIS SURFACE. THE P/N CAN BE OMITTED IF THERE IS NOT ENOUGH SPACE ON THIS SURFACE.
 - 5. PRODUCT SPECIFICATION GS-12-149.
APPLICATION SPECIFICATION BUS-20-067.
 - 6. PACKAGED IN TRAYS.
- PCB NOTES:
- 7. ALL HOLE DIAMETERS ARE FINISHED HOLE SIZE.
 - 8. MOUNTING HOLES, WHERE APPLICABLE, ARE UNPLATED.

⑨ $\varnothing 1.151 \pm 0.025$ DRILLED HOLES PLATED WITH 0.008 MIN SnPb OR Sn OVER .001 [0.03] TO 0.08 Cu PLATING TO ACHIEVE $\varnothing 1.02 \pm 0.07$ HOLE.

⑩ "DIM XXX" TO BE DETERMINED BY THE CUSTOMER.

⑪ CONNECTOR KEEP-OUT ZONE.

dr	Luo Weller	2012/10/11	projection 	MM 	size	A4	scale	1:1
eng	Luo Weller	2012/11/05			ecn no	-		
chr	-	-			product family	PwrBlade	rel level	Released
appr	Pei-Ming Zheng	2012/11/05			title IP + 24S + IP VERTICAL SOLDER HEADER	dwg no 51952-230	rev A	
www.fci.com		cat. no.	&model_name	Product - Customer Drw	sheet 4 of 4			



Copyright FCI.