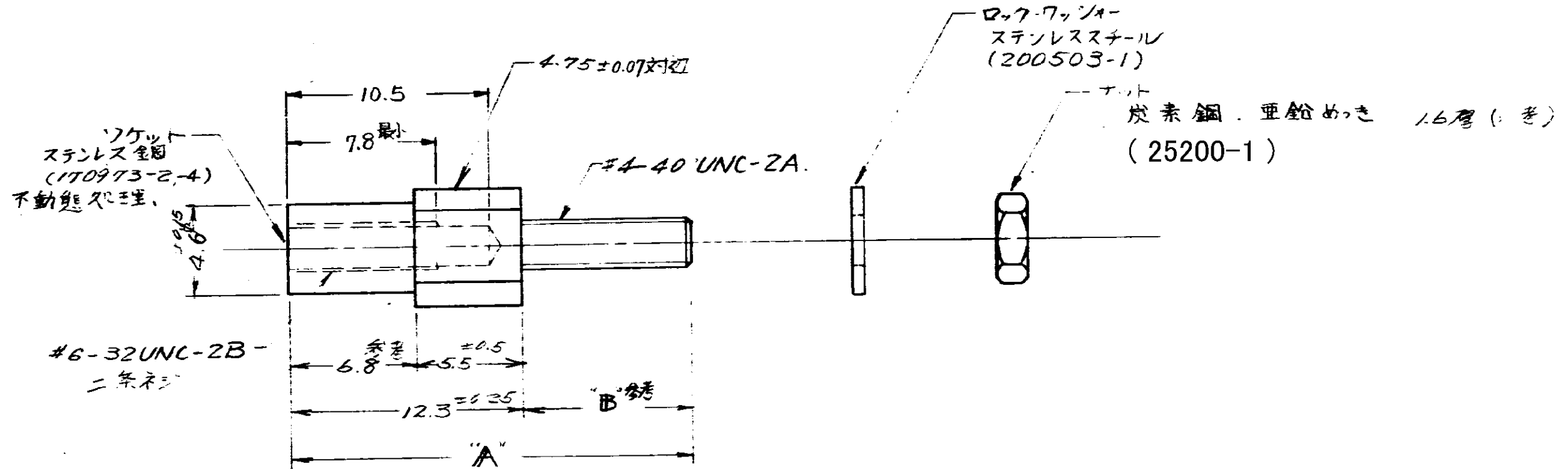


DIMENSIONS IN MM, DO NOT SCALE PRINT



170987 -2	24.3	12.0
170987 -1	21.3	9.0
部品番号	"A"	"B"

-1: 類似 NO. 200875-1

<table border="1"> <tr> <td>F</td> <td>REVISED</td> <td>FJD0-0320-04</td> <td>Y.Y</td> <td>D.M</td> <td>13SEP 04</td> </tr> <tr> <td>E</td> <td>ADDED PER ECN</td> <td>J83-6901</td> <td></td> <td></td> <td></td> </tr> <tr> <td>E</td> <td>REDRAWN WITH CHANGE</td> <td></td> <td>S.M</td> <td></td> <td></td> </tr> <tr> <td>D</td> <td>ECN</td> <td>J6-3956</td> <td></td> <td></td> <td></td> </tr> <tr> <td>C</td> <td>REVISED</td> <td></td> <td></td> <td></td> <td></td> </tr> <tr> <td>C</td> <td>REVISED</td> <td></td> <td></td> <td></td> <td></td> </tr> <tr> <td>B</td> <td>REVISED</td> <td></td> <td></td> <td></td> <td></td> </tr> <tr> <td>A</td> <td>REVISED</td> <td></td> <td></td> <td></td> <td></td> </tr> <tr> <td>C</td> <td>RELEASED</td> <td></td> <td></td> <td></td> <td></td> </tr> <tr> <td>LTR</td> <td></td> <td></td> <td></td> <td></td> <td></td> </tr> </table>				F	REVISED	FJD0-0320-04	Y.Y	D.M	13SEP 04	E	ADDED PER ECN	J83-6901				E	REDRAWN WITH CHANGE		S.M			D	ECN	J6-3956				C	REVISED					C	REVISED					B	REVISED					A	REVISED					C	RELEASED					LTR						<p>71</p> <p>71</p>		<p>名称 NAME</p> <p>71</p>		<p>数量 REMARKS</p> <p>参考図面</p> <p>参考図面</p>	
F	REVISED	FJD0-0320-04	Y.Y	D.M	13SEP 04																																																																
E	ADDED PER ECN	J83-6901																																																																			
E	REDRAWN WITH CHANGE		S.M																																																																		
D	ECN	J6-3956																																																																			
C	REVISED																																																																				
C	REVISED																																																																				
B	REVISED																																																																				
A	REVISED																																																																				
C	RELEASED																																																																				
LTR																																																																					
<p>上参照</p>																																																																					
<p>上参照</p>																																																																					
<p>DR. <i>S. Maruta</i> 3/17 '80</p> <p>CHK. <i>M. Takahashi</i> 3-24 '80</p> <p>DE. <i>S. Maruta</i> 3/17 '80</p> <p>APP. <i>S. Maruta</i> 3/24 '80</p>																																																																					
<p>4-1 J B C-170987 F</p>																																																																					
<p>固定ジャッククリエー(雄)</p>																																																																					