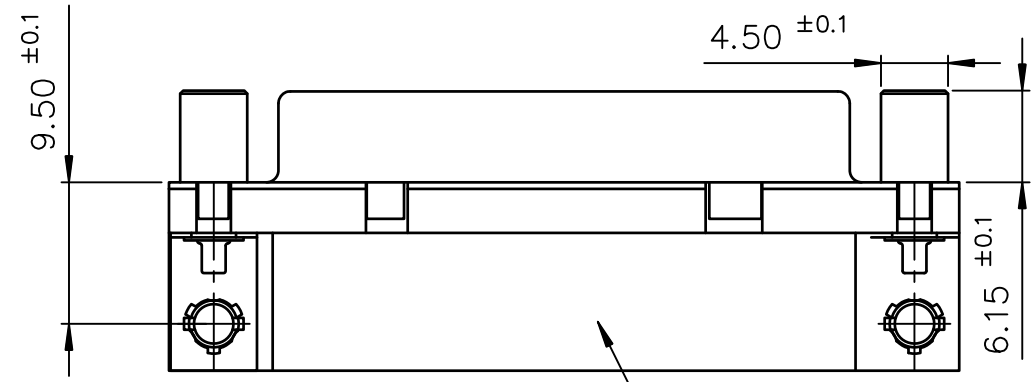
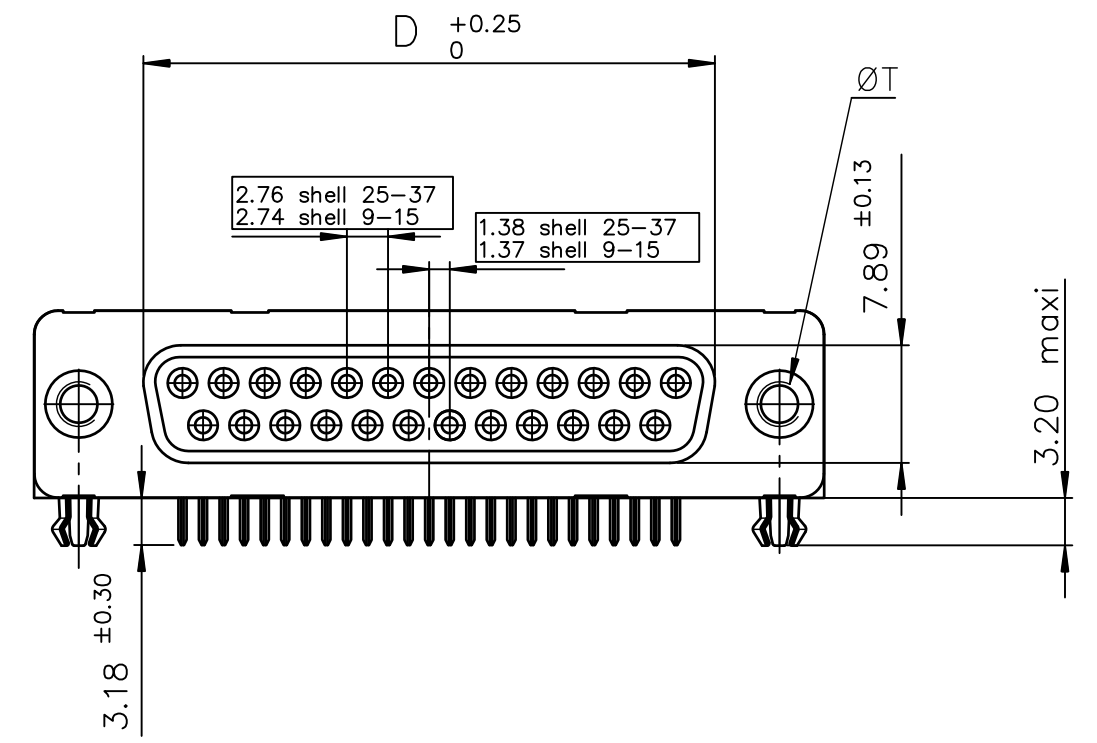
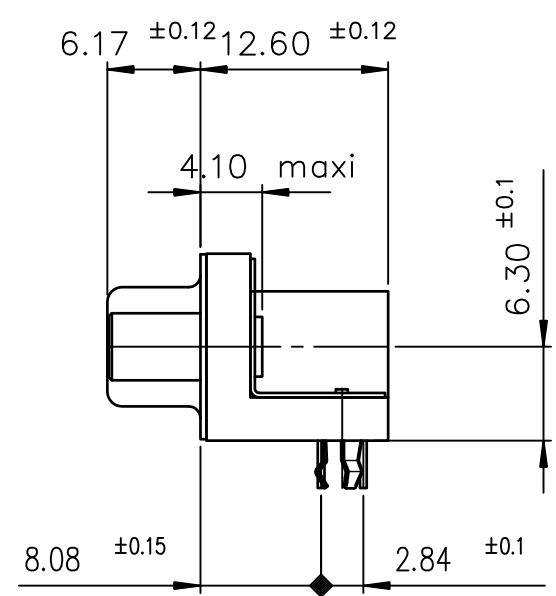
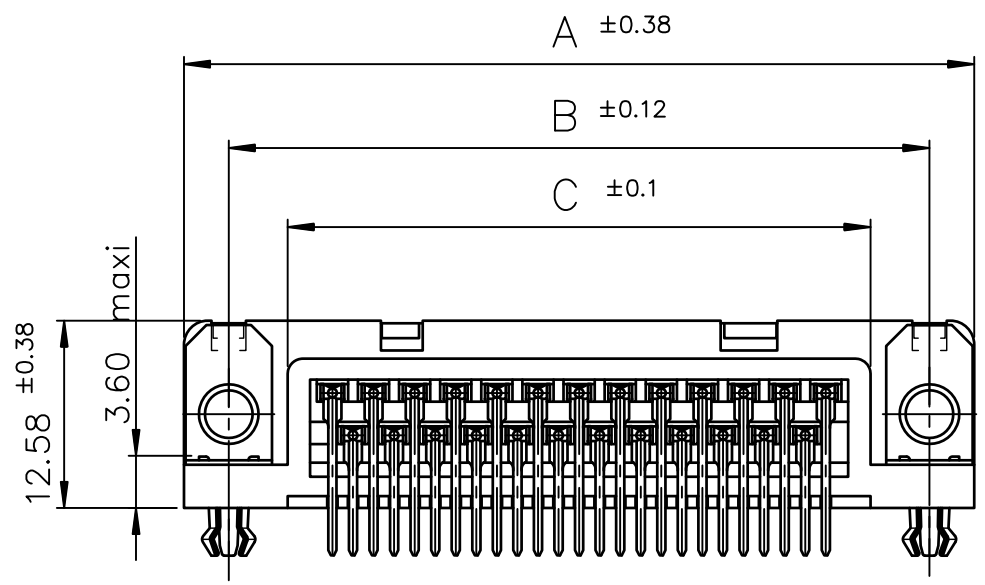




FCIconnect.com

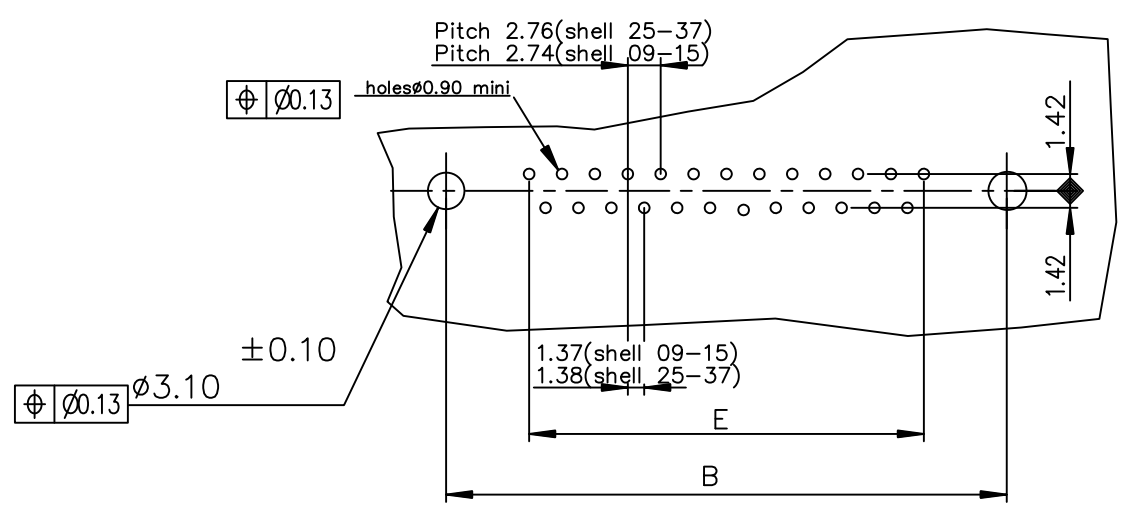
Copyright FCI

D



Part Number & Date Code Printing

PC card drilling dimensions(after plating)
(thickness 1.60±0.20mm)



TIN LEAD PART NUMBER									
SHELL	A±0.38	B±0.12	C±0.10	D±0.25	E±0.07	Gold flash		0.76 μ gold	
09	30.81	24.99	16.96	16.21	10.96	D09S33E4GV00	D09S33E4GI00	D09S33E6GV00	D09S33E6GI00
15	39.14	33.32	25.18	24.54	19.18	D15S33E4GV00	D15S33E4GI00	D15S33E6GV00	D15S33E6GI00
25	53.03	47.04	39.12	38.25	33.12	D25S33E4GV00	D25S33E4GI00	D25S33E6GV00	D25S33E6GI00
37	69.32	63.50	55.68	54.71	49.68	D37S33E4GV00	D37S33E4GI00	D37S33E6GV00	D37S33E6GI00

Threaded ϕT M3 = I
Threaded ϕT 4.40 = V

Threaded ϕT M3 = I
Threaded ϕT 4.40 = V

LEAD FREE PART NUMBER									
SHELL	A±0.38	B±0.12	C±0.10	D±0.25	E±0.07	Gold flash		0.76 μ gold	
09	30.81	24.99	16.96	16.21	10.96	D09S33E4GV00LF	D09S33E4GI00LF	D09S33E6GV00LF	D09S33E6GI00LF
15	39.14	33.32	25.18	24.54	19.18	D15S33E4GV00LF	D15S33E4GI00LF	D15S33E6GV00LF	D15S33E6GI00LF
25	53.03	47.04	39.12	38.25	33.12	D25S33E4GV00LF	D25S33E4GI00LF	D25S33E6GV00LF	D25S33E6GI00LF
37	69.32	63.50	55.68	54.71	49.68	D37S33E4GV00LF	D37S33E4GI00LF	D37S33E6GV00LF	D37S33E6GI00LF

Threaded ϕT M3 = I
Threaded ϕT 4.40 = V

Threaded ϕT M3 = I
Threaded ϕT 4.40 = V

GENERAL CHARACTERISTICS : SEE DRAWING C01-8646-0000

mat'l. code		surface		tolerance		projection		product family	
-		ISO 1302		ISO 406 ISO 1101				D-SUB	
ltr		ecn no		dr		date		title	
D		ELX-I-19243		AB		2014-10-29		SOCKET CONNECT. DELTA-D R/A SCREW LOCK, HARPOON & METAL PLATE	
				angles		linear		MM	
				0°±2'		.0±0.1 .00±0.1 .000±0.1		scale 2:1	
		dr		JOHN SLEEBA		1993-04-07		dwg no	
		enr		ALIAS BABU		2014-10-29		sheet 1 of 1	
		chr		MITHUN PAUL		2014-10-29		size	
		app		BIJU K PAUL		2014-10-29		A3	
sheet index		revision sheet		D				type	
		1						Product Customer Drawing	