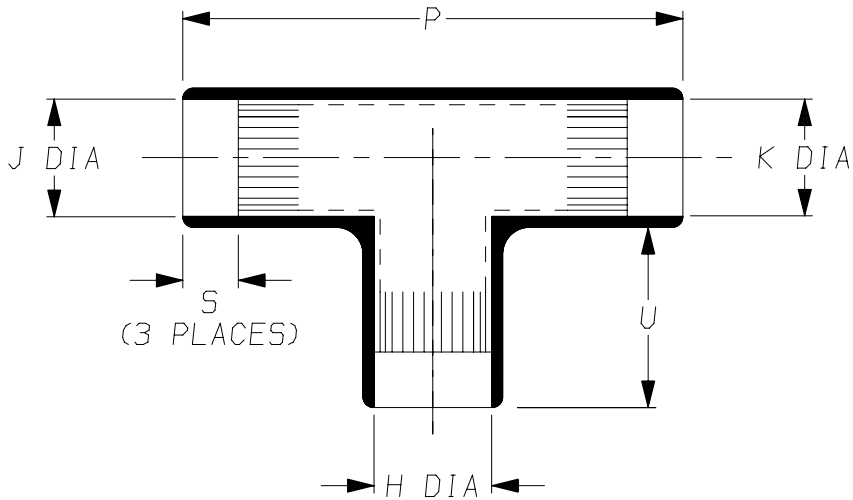
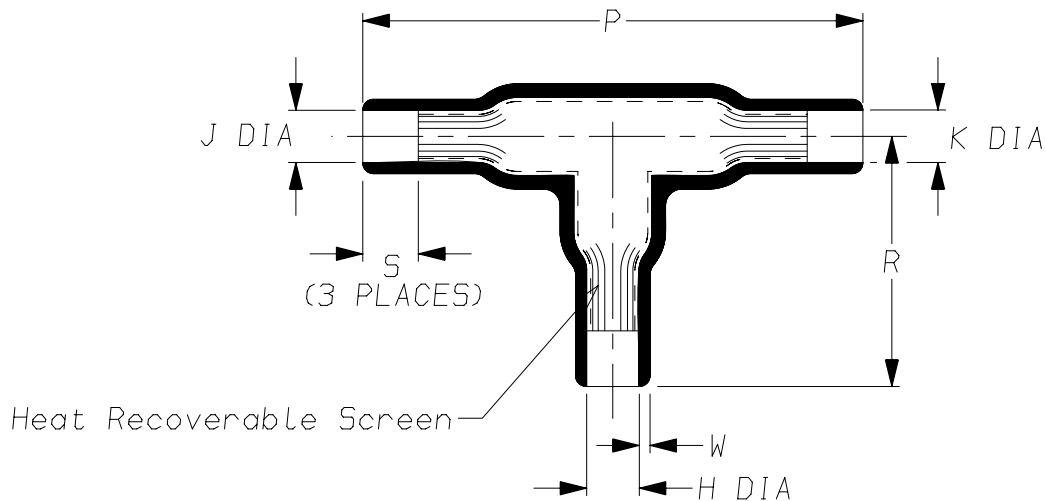


a) Part as supplied.

301A0**-*S



b) Part after unrestricted recovery.



DIMENSIONS in millimetres
(in inches, for reference)

Part No.	H, J & K		P		R	S		U	W
	Min	Max	Min	±10%	REF	Min	±20%	Min	±30%
	a	b	a	b	b	a	b	a	b
301A022	13 (0.51)	6.0 (0.24)	52 (2.05)	59 (2.32)	30 (1.18)	2.5 (0.10)	4.0 (0.16)	20 (0.79)	1.5 (0.06)
301A028	20 (0.79)	10.2 (0.40)	78 (3.07)	90 (3.54)	45 (1.77)	6.0 (0.24)	10.0 (0.39)	30 (1.18)	2.0 (0.08)
301A034	27 (1.06)	13.5 (0.53)	110 (4.33)	120 (4.72)	60 (2.36)	13.0 (0.51)	18.0 (0.71)	40 (1.57)	2.3 (0.09)

Copyright (!)

The copyright in this drawing is the property of Tyco Electronics UK Ltd. The drawing is issued on the condition that it is not copied, reproduced or disclosed to a third party, either in whole or in part without the prior written consent of Tyco Electronics UK Ltd.

Drawn A.LILLEY. Checked

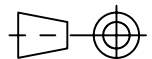
Issue 9 Date March 2008

Conforms to ISO Recommendations
3rd Angle Projection
Not to Scale

Approval
Design

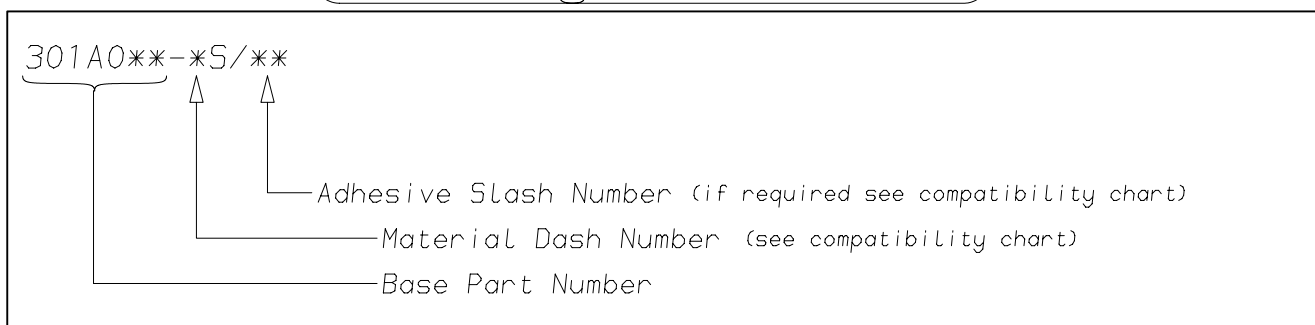
MKTG.

Tech.



Raychem		Specification Control Drawing	Part Number 301A0**-*S Issue 9
Iss.	Date	E.C.R. No.	Details of Change
6	November 1986	4952	Document title changed
7	June 1988	5012	Sa added
8	November 2007	CR06-HM-012	Imperial dimensions added SCD was titled 301A0XX-35 & -255
9	March 2008	CR08-HM-005	Note 2 (RW spec) added

(Ordering Information)



(COMPATIBILITY CHART)

Material Dash Number	Material Description	SPEC Number	Coating Slash Number
-35	POLYOLEFIN/COPPER COMPOSITE	RW-2076	/86
-255	ELASTOMER/COPPER COMPOSITE	RW-2077	/86

NOTES

- ① As supplied dimensions are for uncoated parts, when coating is added entry diameters will reduce by 1.5mm Max.
- ② For method of measuring recovered diameter, see appropriate RW specification (SPEC Number), section 2.2,

Tyco Electronics UK Ltd. Faraday Road, Swindon, Wiltshire, SN3 5HH England Telephone: (01793) 528171 Fax: 572516	Tyco Electronics Corporation 300, Constitution Drive, Menlo Park, CA 94025 USA Telephone (650) 361-3860 Fax: (650) 361-5579
Cage Code K1010	Cage Code 06090