

PRODUCT NUMBER
98481-YXXLF

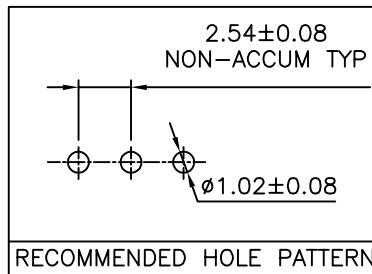
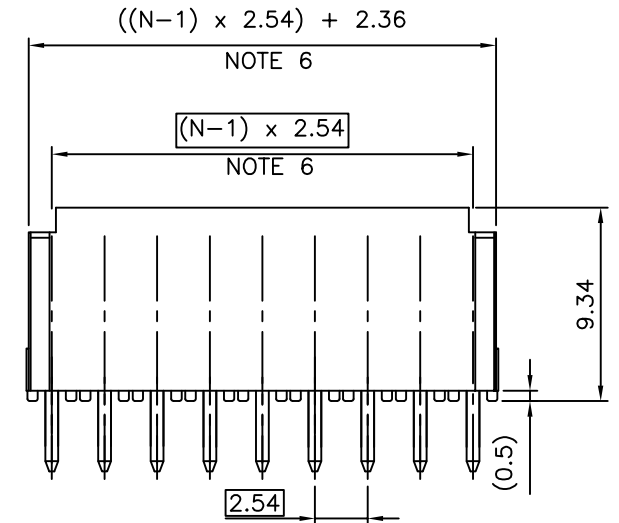
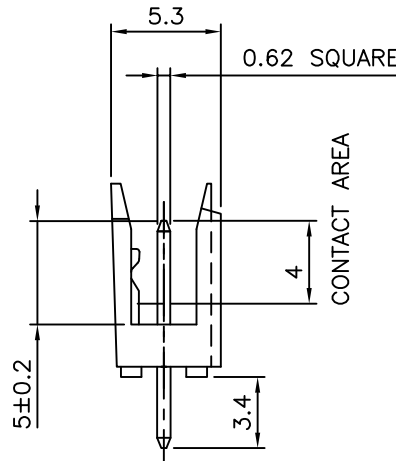
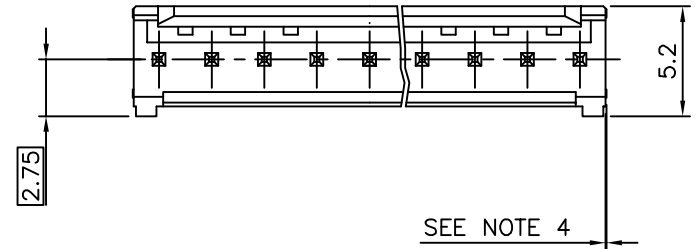
RoHS COMPATIBLE, SEE NOTE 7
NUMBER OF POSITIONS : 02 TO 36

PLATING

3=0.76µm GOLD/GXT ON CONTACT AREA
2µm MIN MATTE TIN ON TAIL
4=2µm MIN MATTE TIN FULL PLATED
1.27µm Ni MIN UNDERPLATING

NOTES:

1. BODY MATERIAL: POLYESTER 30% GLASSFILLED COLOR BLUE, FLAME RETARDANT PER UL-94 V0.
2. CONTACT MATERIAL: PHOSPHOR BRONZE.
3. 15N MIN PIN RETENTION IN EITHER DIRECTION
4. 0.6 MAX PROTRUSION PERMITTED AT 4 PLACES
5. PACKAGING :
- POLYBAGS FROM 02 TO 06 POSITIONS
- TUBE FROM 07 TO 36 POSITIONS
6. TO DETERMINE DIMENSIONS :
N = NUMBER OF POSITIONS PER ROW
EXAMPLE : 8 POS N x 2.54 = 20.32mm
7. RoHS COMPATIBLE PRODUCT SPECIFICATIONS
 - a - PLATING:
- "LF" MEANS THE PRODUCT IS LEAD-FREE,
2µm MINIMUM MATTE TIN OVER 1.27µm
MINIMUM NICKEL UNDERPLATE.
 - b - MANUFACTURING PROCESS COMPATIBILITY
- THE HOUSING WILL WITHSTAND EXPOSURE TO
245°C ±5°C SOLDER BATH TEMPERATURE FOR
5 SECONDS IN A WAVE SOLDER APPLICATION
WITH A 1.6mm MIN THICK CIRCUIT BOARD.
 - c - LABELING:
- MEETS PACKAGING SPECS AS PER GS-14-920
 - d - LEGAL STATEMENT: SEE GS-47-0004



mat'l. code		surface		tolerance		projection		product family	
SEE NOTES		ISO 1302		ISO 406 ISO 1101		mm		DUBOX HDR	
ltr	ecn no	dr	date	tolerances unless otherwise specified		mm		title	
A	F00190	LMU	00.04.12	angles	.X ±0.3	mm		DUBOX HEADER	
B	F05-0117	LMU	05.01.26	linear	.XX ±0.15	mm		STRAIGHT, SINGLE ROW	
C	F05-0244	JCO	05.09.06		.XXX ±0.05	scale 4:1		dwg no	
D	F06-0228	LMU	06.07.11	dr	MULIN.L	00.04.12		sheet 1 of 1 size	
E	F08-0147	YOV	08.04.14	engr	COMPAGNON.J	00.04.12		98481 A3	
F	B-19285	AMA	14.11.03	chr				type	
G	F-21810	AMA	15.06.19	appd	JMC	00.04.12		CUSTOMER Drawing	
sheet index		revision sheet							